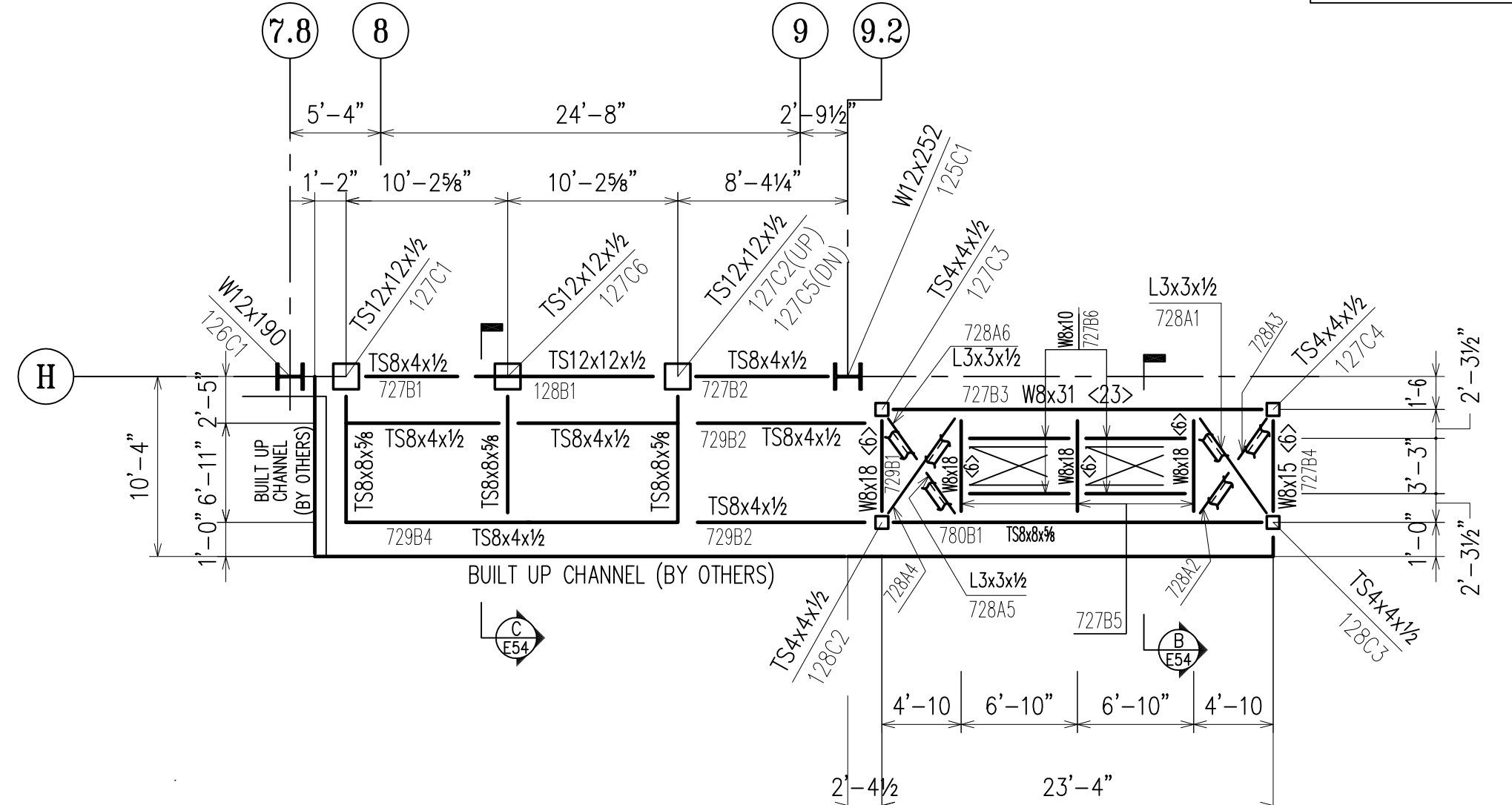
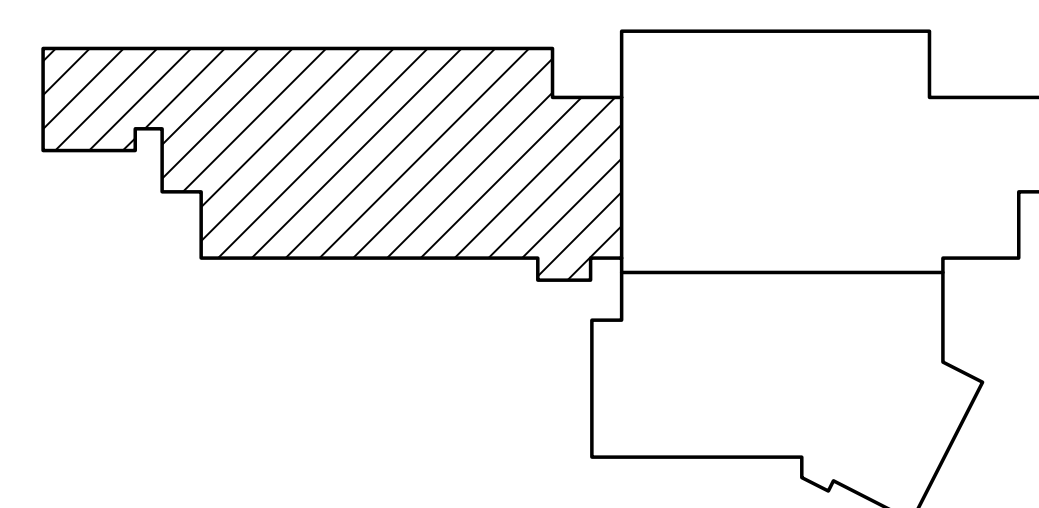


- NOTES :
1. T.O.S. ELEVATION TO BE (+14'-7 7/8") U.N.O. TAKEN FROM DATUM FIN. FLOOR EL. 0'-0" (ACTUAL +23'-0")
 2. ALL "W" SHAPES TO BE A572 GR.50 U.N.O. ALL TUBE STEEL TO BE A500 GR.B U.N.O.
 3. ALL BOLTS TO BE 7/8" Ø A325 SLIP CRITICAL U.N.O.
 4. $\langle \dots \rangle$ INDICATES NUMBER OF SHEAR CONNECTORS
 5. [...] INDICATES CAMBER IN INCHES
 6. ▽ INDICATES DROP OF SLAB
 7. ▴ INDICATES MOMENT CONNECTION
 8. BEAMS, GIRDERS AND COLUMNS SHALL RECEIVE SPRAY FIREPROOFING

APPROVAL/REVIEW AUTHORITY:
 PLEASE REVIEW THIS DRAWING CAREFULLY. IT REPRESENTS OUR INTERPRETATION OF THE INTENT OF THE CONTRACT DOCUMENTS. HOWEVER, THE STEEL FABRICATOR AND THE STRUCTURAL STEEL DETAILER ASSUME NO RESPONSIBILITY FOR THE ACCURACY OF THE INFORMATION SHOWN ON THIS DRAWING. THIS IS THE RESPONSIBILITY OF THE BUYER.
 IT WILL BE ASSUMED THAT ALL INFORMATION SHOWN HEREIN HAS THE AFFIRMATION OF THE APPROVAL AUTHORITY UNLESS NOTED TO THE CONTRARY ON THIS DRAWING WHEN IT IS RETURNED FOR APPROVAL.
 SUBSEQUENT CHANGES TO INFORMATION SHOWN ON THESE DRAWINGS AFTER FIRST SUBMISSION WILL BE CONSIDERED AS CONTRACT CHANGES.
 ADAPTED BY THE NATIONAL INSTITUTE OF STEEL DETAILING 1977.



- NOTES :
1. T.O.S. ELEVATION TO BE (+10'-0 5/8") U.N.O. TAKEN FROM DATUM FIN. FLOOR EL. 0'-0" (ACTUAL +23'-0")
 2. ALL STEEL ON THIS DWG. IS GALVANIZED
 3. THERE ARE DIAGONAL TUBES FOR BRACE T-8 ON "H" LINE. PLAN DOES NOT SHOW THESE, REFER TO SHEET "E56" TO SEE RELATIONSHIP OF CANOPY STEEL WITH DIAGONALS.



DRAWINGS PREPARED BY:
 DIVISION FIVE DETAILING INC.
 1770 Gallagher Drive
 Vineland, New Jersey 08360
 Phone: (856) 794-9474
 Fax: (856) 696-2027

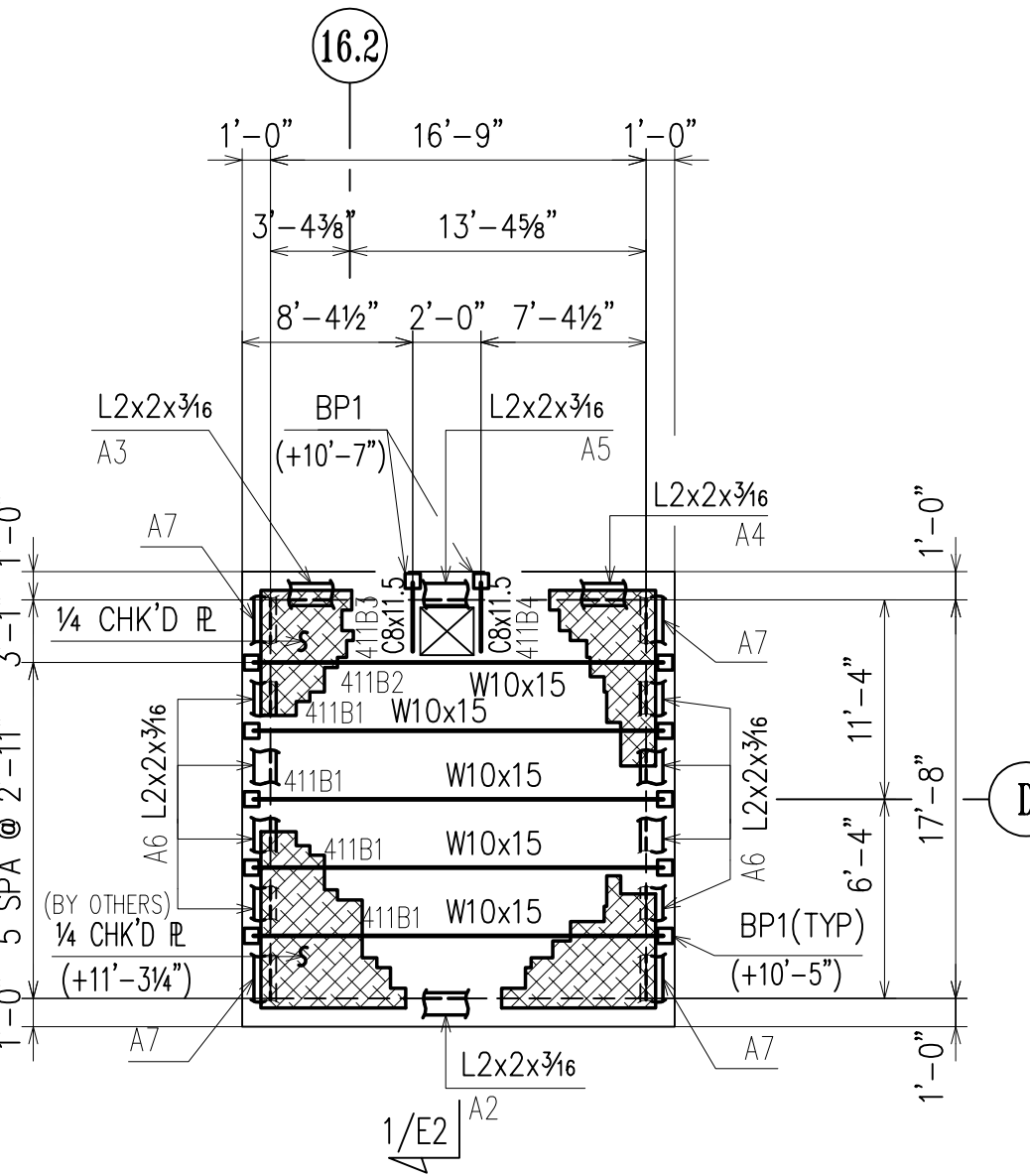
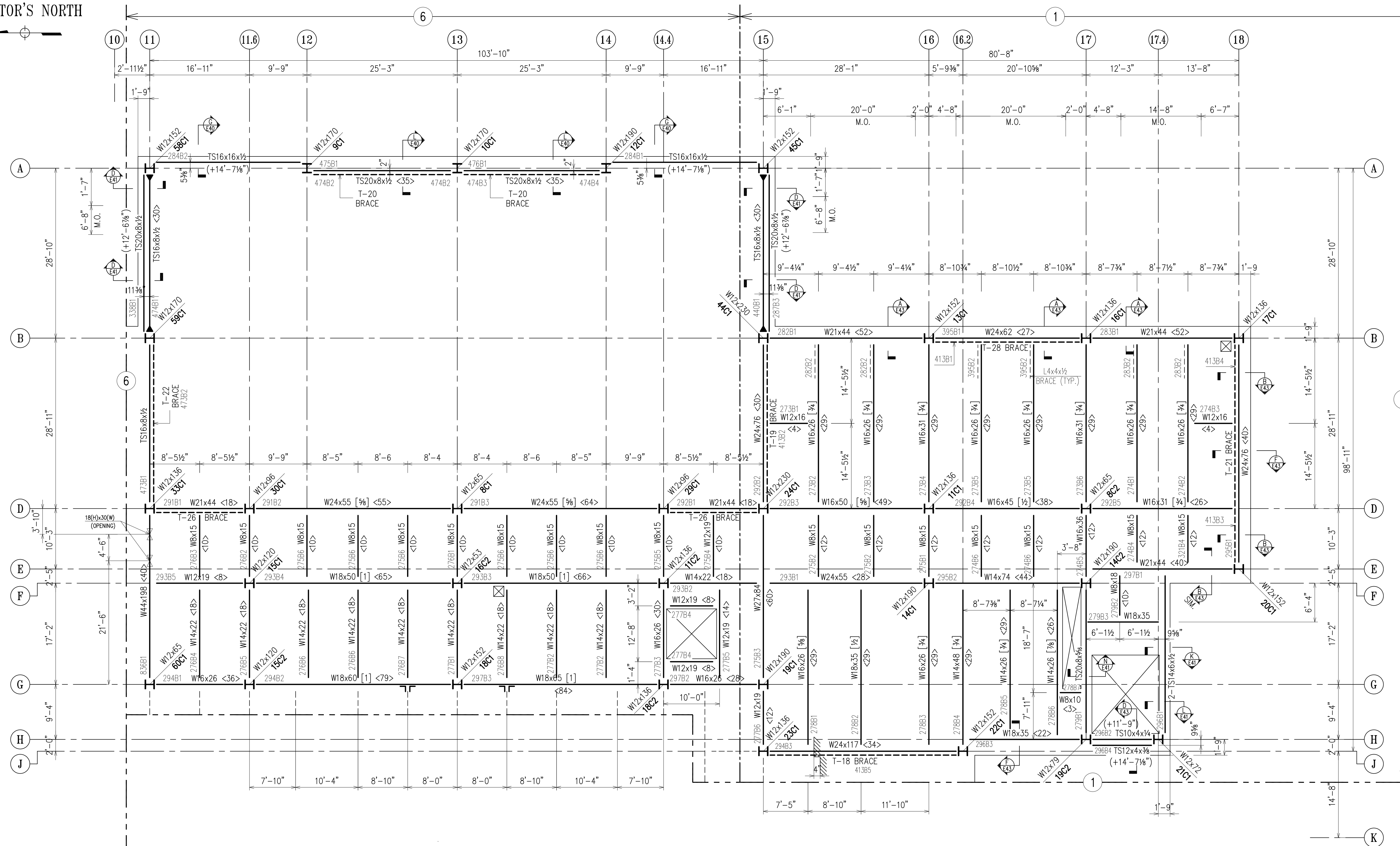
DIAG. REF #	NO DATE	DESCRIPTION	NO DATE	DESCRIPTION
				REVISIONS

PAINT	NO PAINT	8/13	ADD MARKINGS	1/9	FOR FIELD USE
MATERIAL	GR.50 U/NOTED	8/06	ADD MARKINGS	11/16	PER ENGINEER
HOLES	15/16" U/NOTED	7/18	PER ENGINEER	9/06	PER ENGINEER
ELECTRODES	E70XX	7/14	PER APPROVAL	8/17	PER ADDENDUMS
TOTAL WEIGHT					
DIAG. REF #					

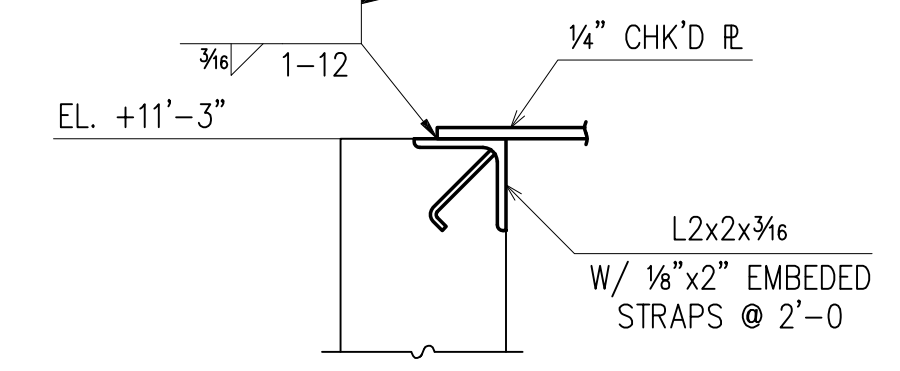
WEIR WELDING CO. INC.

DRAFTER	YG	CONTRACT NO.
DATE	4/17/02	S-616
CHECKED	D5	DWG NO
DATE	1/9/02	E1

ERECTOR'S NORTH

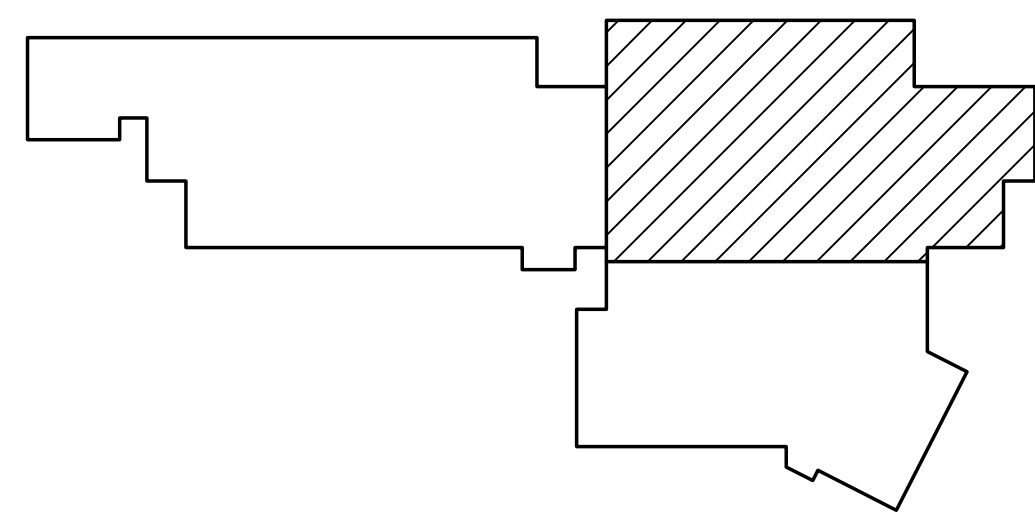


NOTE : T.O.S. ELEVATION TO BE (+11'-3") U.N.O. TAKEN FROM DATUM FIN. FLOOR EL. 0'-0" (ACTUAL +23'-0")



- NOTES :
- T.O.S. ELEVATION TO BE (+14'-7 1/2") U.N.O. TAKEN FROM DATUM FIN. FLOOR EL. 0'-0" (ACTUAL +23'-0")
 - ALL "W" SHAPES TO BE A572 GR.50 U.N.O. ALL TUBE STEEL TO BE A500 GR.B U.N.O.
 - ALL BOLTS TO BE 7/8" A325 SLIP CRITICAL U.N.O.
 - <. . .> INDICATES NUMBER OF SHEAR CONNECTORS
 - [...] INDICATES CAMBER IN INCHES
 - INDICATES DROP OF SLAB
 - INDICATES MOMENT CONNECTION
 - BEAMS, GIRDERS AND COLUMNS SHALL RECEIVE SPRAY FIREPROOFING

APPROVAL/REVIEW AUTHORITY:
PLEASE REVIEW THIS DRAWING CAREFULLY. IT REPRESENTS OUR INTERPRETATION OF THE INTENT OF THE CONTRACT DOCUMENTS. HOWEVER, THE STEEL FABRICATOR AND THE STRUCTURAL STEEL DETAILER ASSUME NO RESPONSIBILITY FOR THE ACCURACY OF THE INFORMATION SHOWN ON THIS DRAWING. THIS IS THE RESPONSIBILITY OF THE BUYER.
IT WILL BE ASSUMED THAT ALL INFORMATION SHOWN HEREIN HAS THE AFFIRMATION OF THE APPROVAL AUTHORITY UNLESS NOTED TO THE CONTRARY ON THIS DRAWING WHEN IT IS RETURNED FROM APPROVAL.
SUBSEQUENT CHANGES TO INFORMATION SHOWN ON THESE DRAWINGS AFTER FIRST SUBMISSION WILL BE CONSIDERED AS CONTRACT CHANGES.
ADOPTED BY THE NATIONAL INSTITUTE OF STEEL DETAILING 1977.

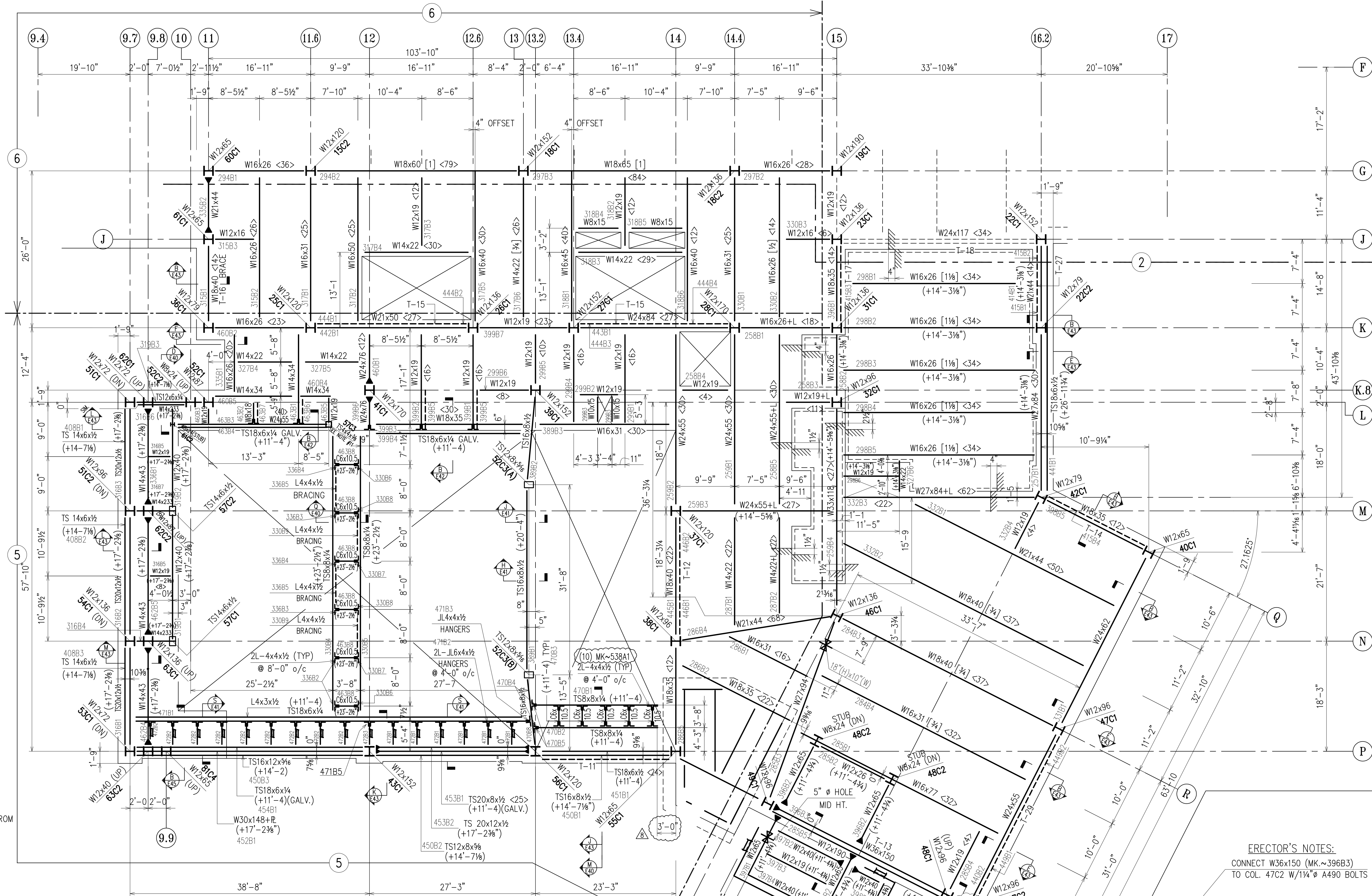
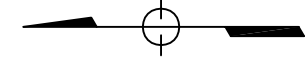


DRAWINGS PREPARED BY:
DIVISION FIVE DETAILING INC.
1770 GALLAGHER DRIVE
Vineland, New Jersey 08360
Phone: (856) 794-9474
Fax: (856) 696-2027

PAINT	NO PAINT	8/22	PER CHECK		
MATERIAL	GR.50 U/NOTED	8/17	PER ADDENDUMS		
HOLES	1 3/16" U/NOTED	7/18	PER ENGINEER		
ELECTRODES	E70XX	7/03	PER APPROVAL	10/26	PER CHECK/FIELD
TOTAL WEIGHT					
DIAG. REF #					

WEIR WELDING CO. INC.			
LAW ENFORCEMENT SCHOOL			
NEW YORK-N.Y.			
CONTRACT NO	S-616		
DWG NO			E2

ERECTOR'S NORTH



PART PLAN AT EL. +5'-9 3/4"

NOTE : T.O.S. ELEVATION TO BE (+5'-9 3/4") U.N.O. TAKEN FROM DATUM FIN. FLOOR EL. 0'-0" (ACTUAL +23'-0")

ERECTOR'S NOTES:

CONNECT W36x150 (MK~396B3) TO COL. 47C2 W/1 1/4" A490 BOLTS

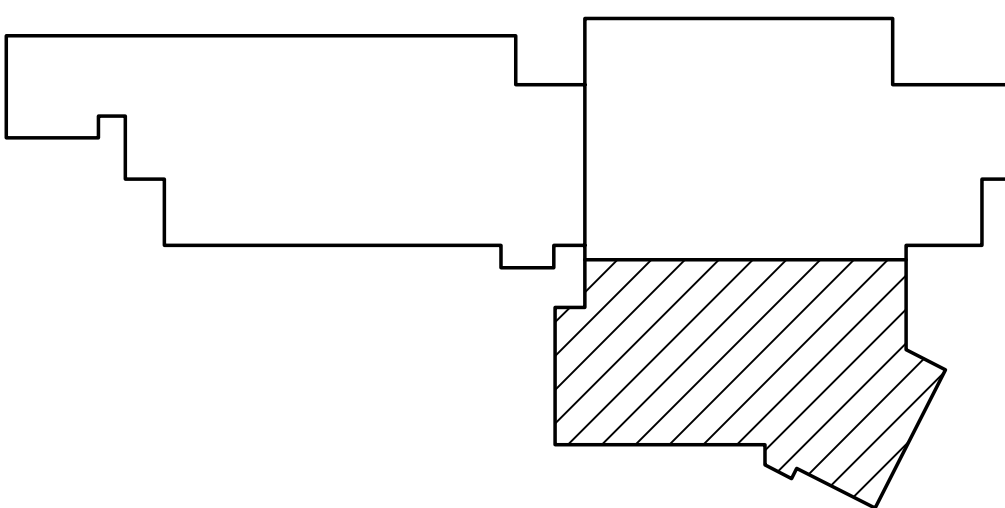
CONNECT W12x190 (MK~285B5) TO COLS. 47C2 & 49C1 W/1" A490 BOLTS

APPROVAL/REVIEW AUTHORITY: PLEASE REVIEW THIS DRAWING CAREFULLY. IT REPRESENTS OUR INTERPRETATION OF THE INTENT OF THE CONTRACT DOCUMENTS. HOWEVER, THE STEEL FABRICATOR AND THE STRUCTURAL STEEL DETAILER ASSUME NO RESPONSIBILITY FOR THE ACCURACY OF THE INFORMATION SHOWN ON THIS DRAWING. THIS IS THE RESPONSIBILITY OF THE BUYER.

IT WILL BE ASSUMED THAT ALL INFORMATION SHOWN HEREIN HAS THE AFFIRMATION OF THE APPROVAL AUTHORITY UNLESS NOTED TO THE CONTRARY ON THIS DRAWING WHEN IT IS RETURNED FROM APPROVAL. SUBSEQUENT CHANGES TO INFORMATION SHOWN ON THESE DRAWINGS AFTER FIRST SUBMISSION WILL BE CONSIDERED AS CONTRACT CHANGES.

ADOPTED BY THE NATIONAL INSTITUTE OF STEEL DETAILING 1977.

- NOTES :
1. T.O.S. ELEVATION TO BE (+14'-7 1/8") U.N.O. TAKEN FROM DATUM FIN. FLOOR EL. 0'-0" (ACTUAL +23'-0")
 2. ALL "W" SHAPES TO BE A572 GR.50 U.N.O. ALL TUBE STEEL TO BE A500 GR.B U.N.O.
 3. ALL BOLTS TO BE 7/8" A325 SLIP CRITICAL U.N.O.
 4. $\langle \dots \rangle$ INDICATES NUMBER OF SHEAR CONNECTORS
 5. [...] INDICATES CAMBER IN INCHES
 6. \blacktriangleright INDICATES MOMENT CONNECTION
 7. BEAMS, GIRDERS AND COLUMNS SHALL RECEIVE SPRAY FIREPROOFING
 8. \times INDICATES BEAM PENETRATION IN WEB
 9. --- INDICATES DROP OF SLAB
 10. --- SLAB DEPRESSION BOUNDARY
 11. TS4x4x3/8 HUNG FROM BM. ABOVE TO SUPPORT W24x55 (SEE DWG. "E6")



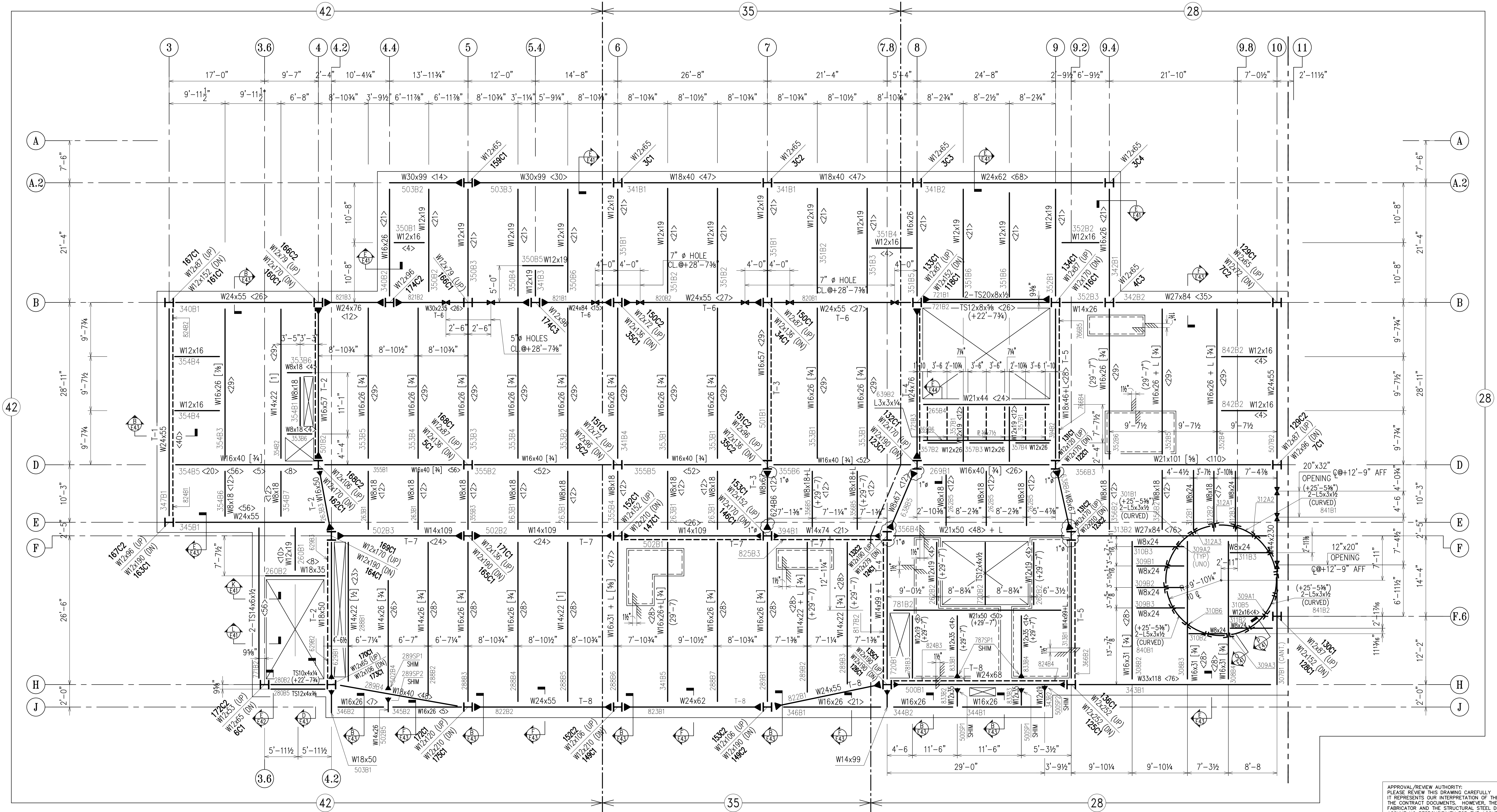
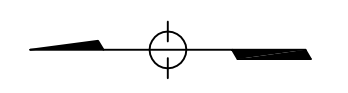
DRAWINGS PREPARED BY:
 DIVISION FIVE DETAILING INC.
 1770 Gallagher Drive
 Vineland, New Jersey 08360
 Phone: (856) 794-9474
 Fax: (856) 696-2027

		REVISIONS	
DIAG. REF #	NO	DATE	DESCRIPTION
	9/06	PER ENGINEER	10/31 PER CHECK/FIELD
	8/17	PER ADDENDUMS	10/25 PER CHECK/FIELD
	7/19	PER ENGINEER	10/05 ADD MARK
	7/03	PER APPROVAL	9/17 PER CHECK
	NO	DATE	NO DATE DESCRIPTION

CONTRACT NO. S-616
 DWG NO. E3

WEIR WELDING CO. INC.

LAW ENFORCEMENT SCHOOL
 NEW YORK, N.Y.



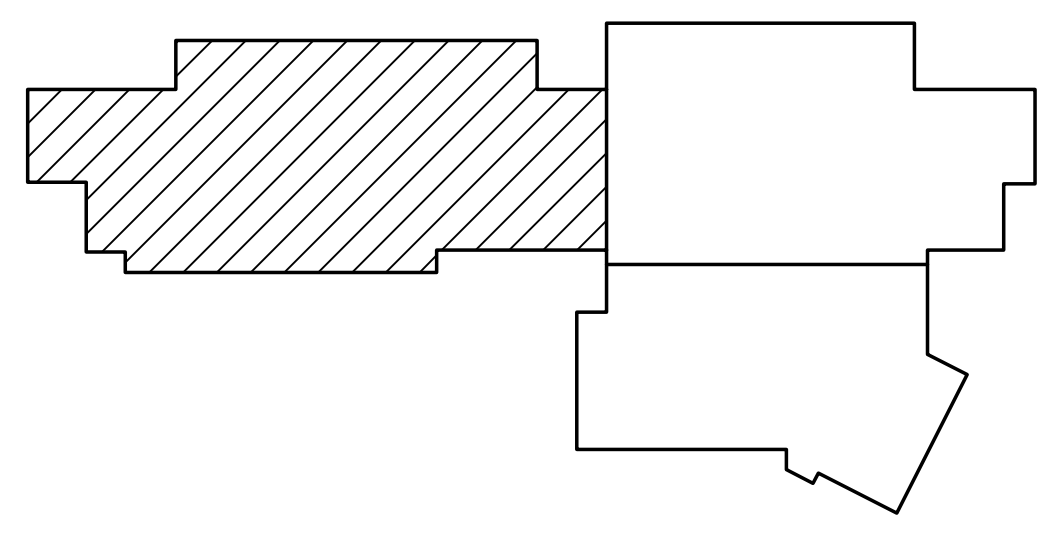
- NOTES :
1. T.O.S. ELEVATION TO BE (+29'-8 1/2") U.N.O. TAKEN FROM DATUM FIN. FLOOR EL. 0'-0" (ACTUAL +23'-0")
 2. ALL "W" SHAPES TO BE A572 GR.50 U.N.O. ALL TUBE STEEL TO BE A500 GR.B U.N.O.
 3. ALL BOLTS TO BE 3/4" A325 SLIP CRITICAL U.N.O.
 4. <...> INDICATES NUMBER OF SHEAR CONNECTORS
 5. [...] INDICATES CAMBER IN INCHES
 6. —|— INDICATES MOMENT CONNECTION
 7. ▽ INDICATES DROP OF SLAB.
 8. —|— INDICATES BEAM PENETRATION IN WEB
 9. BEAMS, GIRDERS AND COLUMNS SHALL RECEIVE SPRAY FIREPROOFING

APPROVAL/REVIEW AUTHORITY:
 PLEASE REVIEW THIS DRAWING CAREFULLY. IT REPRESENTS OUR INTERPRETATION OF THE INTENT OF THE CONTRACT DOCUMENTS. HOWEVER, THE STEEL FABRICATOR AND THE STRUCTURAL STEEL DETAILER ASSUME NO RESPONSIBILITY FOR THE ACCURACY OF THE INFORMATION SHOWN ON THIS DRAWING. THIS IS THE RESPONSIBILITY OF THE BUYER.

IT WILL BE ASSUMED THAT ALL INFORMATION SHOWN HEREIN HAS THE AFFIRMATION OF THE APPROVAL AUTHORITY UNLESS NOTED TO THE CONTRARY ON THIS DRAWING WHEN IT IS RETURNED FOR APPROVAL.

SUBSEQUENT CHANGES TO INFORMATION SHOWN ON THESE DRAWINGS AFTER FIRST SUBMISSION WILL BE CONSIDERED AS CONTRACT CHANGES.

ADOPTED BY THE NATIONAL INSTITUTE OF STEEL DETAILING 1977.

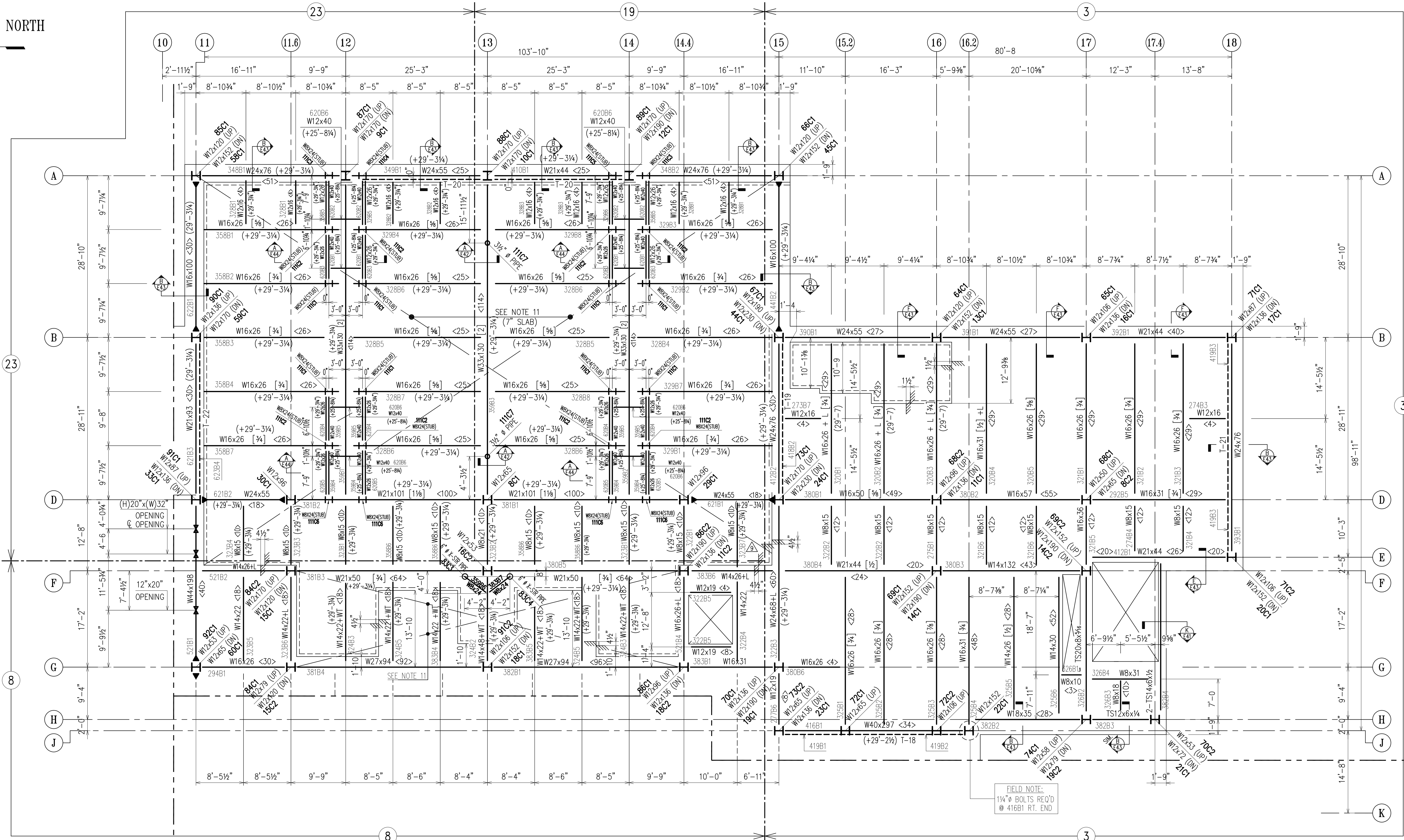
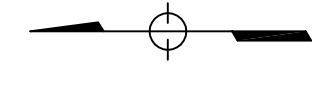


DRAWINGS PREPARED BY:
 DIVISION FIVE DETAILING INC.
 1770 Gallagher Drive
 Vineland, New Jersey 08360
 Phone: (856) 794-9474
 Fax: (856) 696-2027

PAIN	NO PAINT U/NOTED	8/13	ADD MARKINGS	1/18	PER APPL.
MATERIAL	GR.50 U/NOTED	8/6 <td>ADD MARKINGS</td> <td>1/9 <td>FOR FIELD USE</td> </td>	ADD MARKINGS	1/9 <td>FOR FIELD USE</td>	FOR FIELD USE
HOLES	15/16" U/NOTED	7/19 <td>PER ENGINEER</td> <td>11/16 <td>PER ENGINEER</td> </td>	PER ENGINEER	11/16 <td>PER ENGINEER</td>	PER ENGINEER
ELECTRODES	E70XX	7/14 <td>PER APPROVAL</td> <td>8/17 <td>PER ADDENDUMS</td> </td>	PER APPROVAL	8/17 <td>PER ADDENDUMS</td>	PER ADDENDUMS
TOTAL WEIGHT	NO DATE	DESCRIPTION	NO DATE	DESCRIPTION	
DIAG. REF #				REVISIONS	

DRAWINGS PREPARED BY:		WEIR WELDING CO. INC.	
DIVISION FIVE DETAILING INC.		LAW ENFORCEMENT SCHOOL	
1770 Gallagher Drive		CONTRACT NO. S-616	
Vineland, New Jersey 08360		DWG NO. E4	
Phone: (856) 794-9474			
Fax: (856) 696-2027			
DRAFTER	Yus	DATE	4/24/01
CHECKED		DATE	

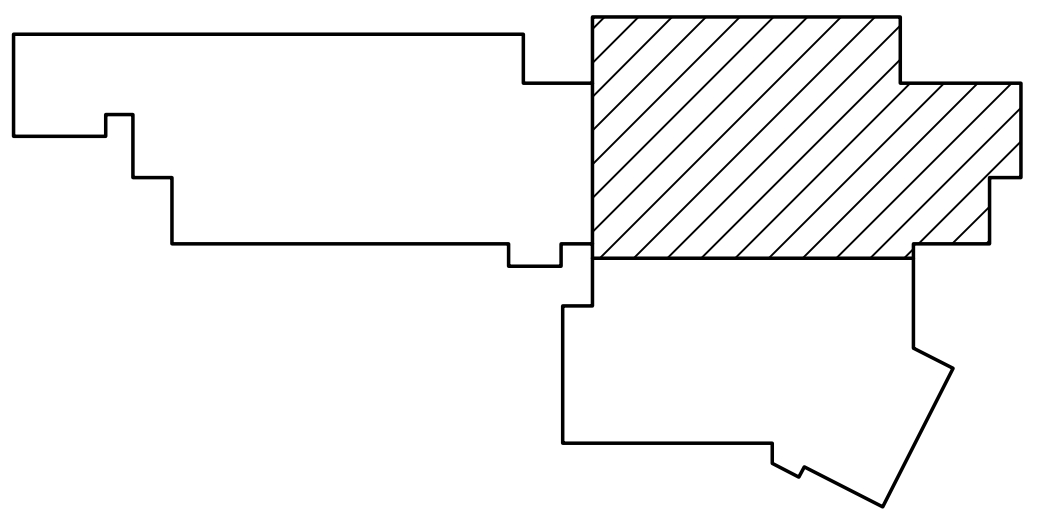
ERECTOR'S NORTH



FIELD NOTE:
1 1/4" Ø BOLTS REQ'D
@ 416B1 RT. END

APPROVAL/REVIEW AUTHORITY:
PLEASE REVIEW THIS DRAWING CAREFULLY.
IT REPRESENTS OUR INTERPRETATION OF THE INTENT OF THE CONTRACT DOCUMENTS. HOWEVER, THE STEEL FABRICATOR AND THE STRUCTURAL STEEL DETAILER ASSUME NO RESPONSIBILITY FOR THE ACCURACY OF THE INFORMATION SHOWN ON THIS DRAWING. THIS IS THE RESPONSIBILITY OF THE BUYER.
IT WILL BE ASSUMED THAT ALL INFORMATION SHOWN HEREIN HAS THE AFFIRMATION OF THE APPROVAL AUTHORITY UNLESS NOTED TO THE CONTRARY ON THIS DRAWING WHEN IT IS RETURNED FROM APPROVAL.
SUBSEQUENT CHANGES TO INFORMATION SHOWN ON THESE DRAWINGS AFTER FIRST SUBMISSION WILL BE CONSIDERED AS CONTRACT CHANGES.
ADOPTED BY THE NATIONAL INSTITUTE OF STEEL DETAILING 1977.

- NOTES :
1. T.O.S. ELEVATION TO BE (+29'-8 1/2") U.N.O. TAKEN FROM DATUM FIN. FLOOR EL. 0'-0" (ACTUAL +23'-0")
 2. ALL "W" SHAPES TO BE A572 GR.50 U.N.O.
ALL TUBE STEEL TO BE A500 GR.B U.N.O.
 3. ALL BOLTS TO BE 3/8" Ø A325 SLIP CRITICAL U.N.O.
 4. <...> INDICATES NUMBER OF SHEAR CONNECTORS
 5. [...] INDICATES CAMBER IN INCHES
 6. ▸ INDICATES MOMENT CONNECTION
 7. ▽ INDICATES DROP OF SLAB.
 8. ▹ INDICATES BEAM PENETRATION IN WEB
 9. BEAMS, GIRDERS AND COLUMNS SHALL RECEIVE SPRAY FIREPROOFING
 10. --- SLAB DEPRESSION BOUNDARY
 11. WHERE INDICATED SLAB SHALL BE 4" OF LIGHTWEIGHT CONCRETE OVER 3"-18 GA. GALV. METAL DECK (TOTAL SLAB DEPTH=7") AT NOTED DEPRESSION



DRAWINGS PREPARED BY:
DIVISION FIVE DETAILING INC.
1770 Gallagher Drive
Vineland, New Jersey 08360
Phone: (856) 794-9474
Fax: (856) 696-2027

DIAG. REF #	NO	DATE	DESCRIPTION	NO	DATE	DESCRIPTION
	11/15		ADDED BM PER APPL			

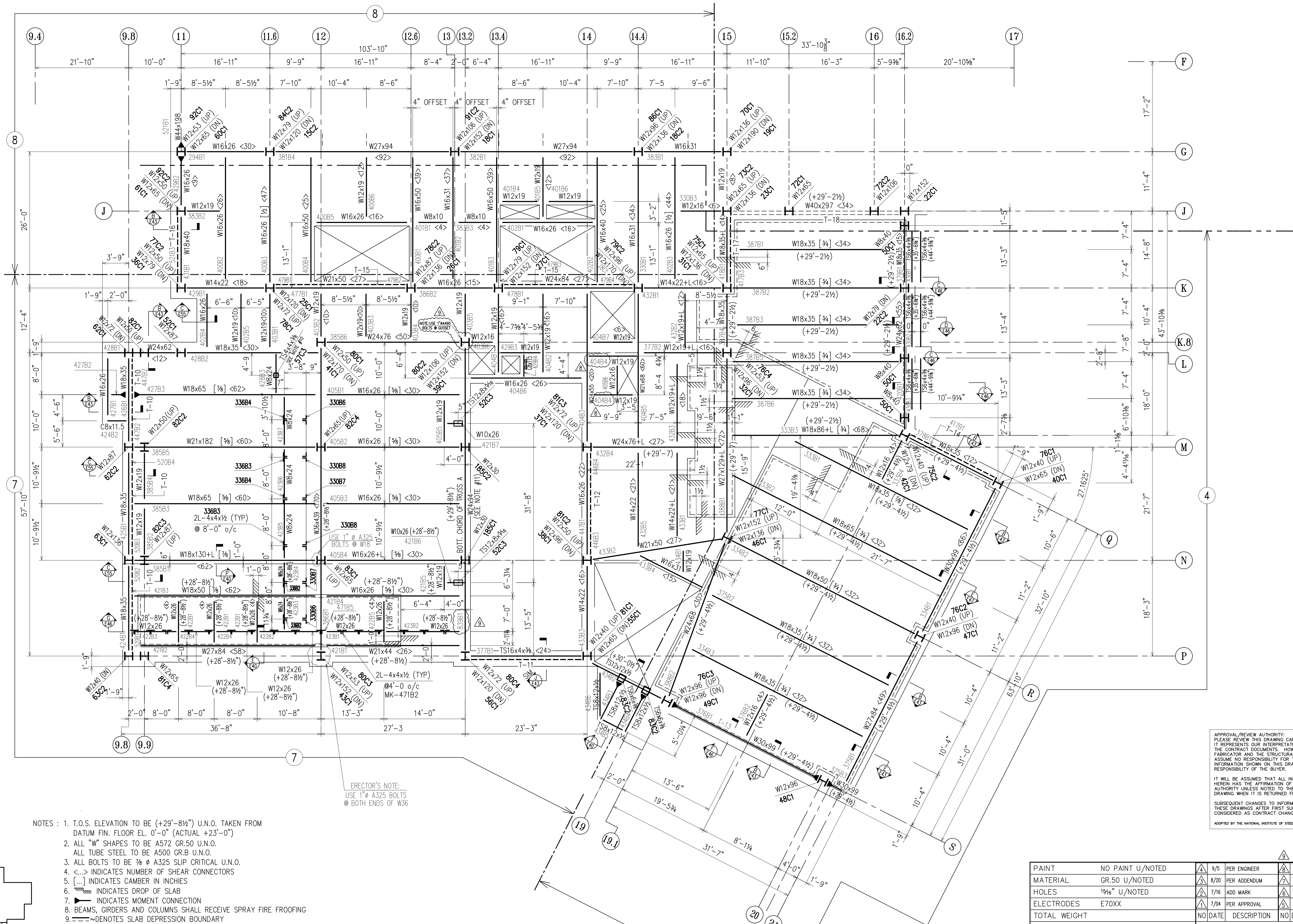
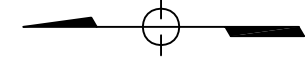
PAIN	NO PAINT U/NOTED	8/17	PER ADDENDUMS	10/26	PER CHECK/FIELD
MATERIAL	GR.50 U/NOTED	7/30	ADD MARKINGS	10/09	PER ENG
HOLES	1 1/8" U/NOTED	7/16	ADD MARKINGS	9-11	PER CHECK
ELECTRODES	E70XX	7/03	PER APPROVAL	9/06	PER ENGINEER
TOTAL WEIGHT					

WEIR WELDING CO. INC.

LAW ENFORCEMENT SCHOOL
NEW YORK, N.Y.

CONTRACT NO
S-616
DWG NO
E5

ERECTOR'S NORTH



- NOTES :
1. T.O.S. ELEVATION TO BE (+29'-8 1/2") U.N.O. TAKEN FROM DATUM FIN. FLOOR EL. 0'-0" (ACTUAL +23'-0")
 2. ALL "W" SHAPES TO BE A572 GR.50 U.N.O. ALL TUBE STEEL TO BE A500 GR.B U.N.O.
 3. ALL BOLTS TO BE 3/4" A325 SLIP CRITICAL U.N.O.
 4. <.> INDICATES NUMBER OF SHEAR CONNECTORS
 5. [...] INDICATES CAMBER IN INCHES
 6. ▽ INDICATES DROP OF SLAB
 7. ▴ INDICATES MOMENT CONNECTION
 8. BEAMS, GIRDERS AND COLUMNS SHALL RECEIVE SPRAY FIRE PROOFING
 9. --- DENOTES SLAB DEPRESSION BOUNDARY
 10. TS4x4x3/8 HANGER W/3/4" THICK CAP & BASE PL'S SUPPORTS BM. BELOW. ADD PL3/8" STIFFENERS TO W8x24.
 11. SEE SHT.# E39 FOR "TRUSS-A" ELEVATION & PC. MKS.

ERECTOR'S NOTE:
USE 1" A325 BOLTS
@ BOTH ENDS OF W36

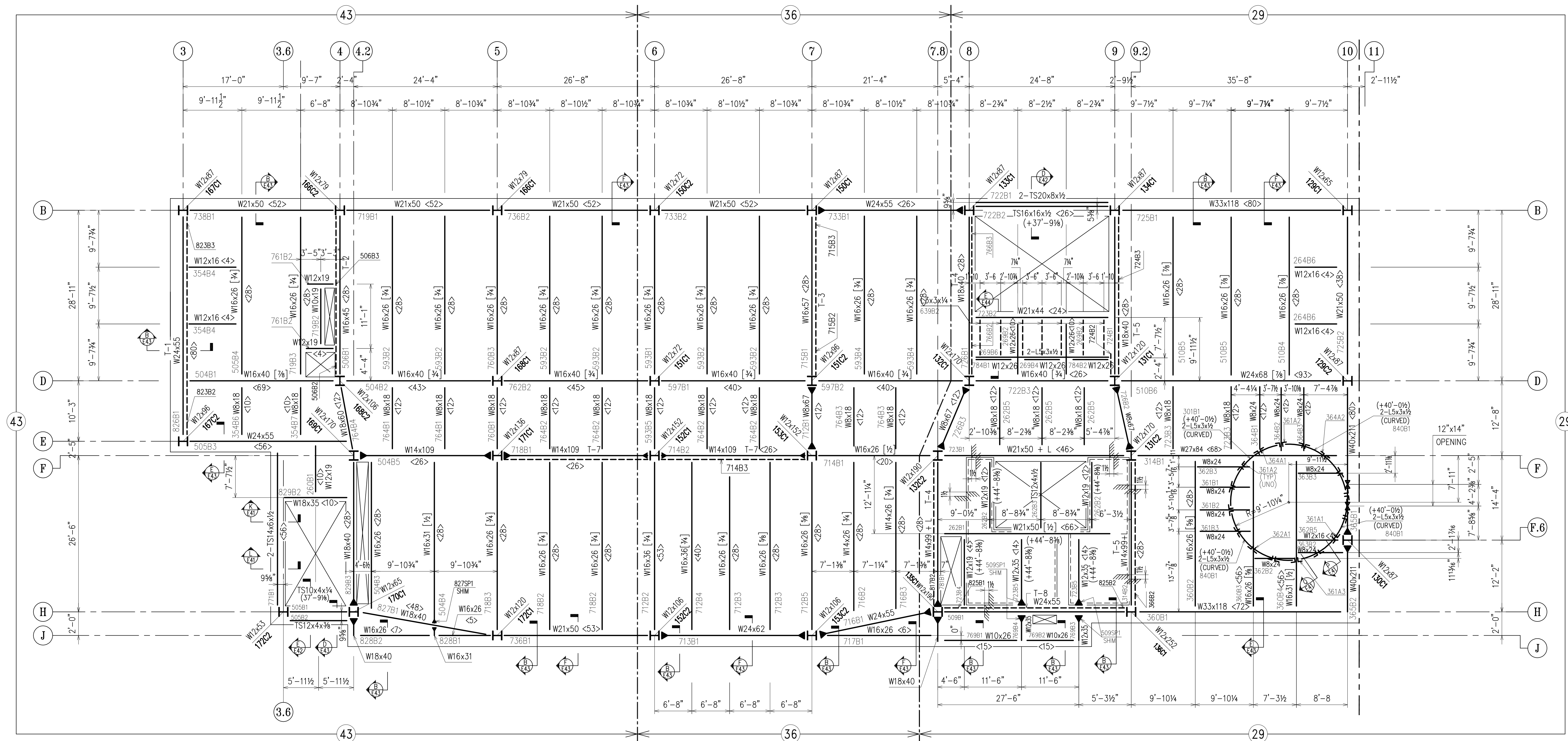
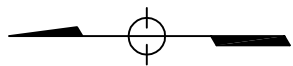
APPROVAL/REVIEW AUTHORITY:
PLEASE REVIEW THIS DRAWING CAREFULLY.
IT REPRESENTS OUR INTERPRETATION OF THE INTENT OF THE CONTRACT DOCUMENTS. HOWEVER, THE STEEL FABRICATOR AND THE STRUCTURAL STEEL DETAILER ASSUME NO RESPONSIBILITY FOR THE ACCURACY OF THE INFORMATION SHOWN ON THIS DRAWING. THIS IS THE RESPONSIBILITY OF THE BUYER.
IT WILL BE ASSUMED THAT ALL INFORMATION SHOWN HEREIN HAS THE AFFIRMATION OF THE APPROVAL AUTHORITY UNLESS NOTED TO THE CONTRARY ON THIS DRAWING WHEN IT IS RETURNED FROM APPROVAL.
SUBSEQUENT CHANGES TO INFORMATION SHOWN ON THESE DRAWINGS AFTER FIRST SUBMISSION WILL BE CONSIDERED AS CONTRACT CHANGES.
ADOPTED BY THE NATIONAL INSTITUTE OF STEEL DETAILING 1977.

		11/8 PCMK REV.	
PAINT	NO PAINT U/NOTED	9/5	PER ENGINEER
MATERIAL	GR.50 U/NOTED	8/20	PER ADDENDUM
HOLES	1 1/16" U/NOTED	7/16	ADD MARK
ELECTRODES	E70XX	7/04	PER APPROVAL
TOTAL WEIGHT	NO DATE	DESCRIPTION	NO DATE
DIAG. REF #			REVISIONS

DRAWINGS PREPARED BY:
DIVISION FIVE DETAILING INC.
1770 Gallagher Drive
Vineland, New Jersey 08360
Phone: (856) 794-9474
Fax: (856) 696-2027

DRAFTER YG	DATE 4/25/01	CHECKED BRB	DATE 9/13/01
LAW ENFORCEMENT SCHOOL		NEW YORK, N.Y.	
CONTRACT NO	S-616	DWG NO	E6

WEIR WELDING CO. INC.



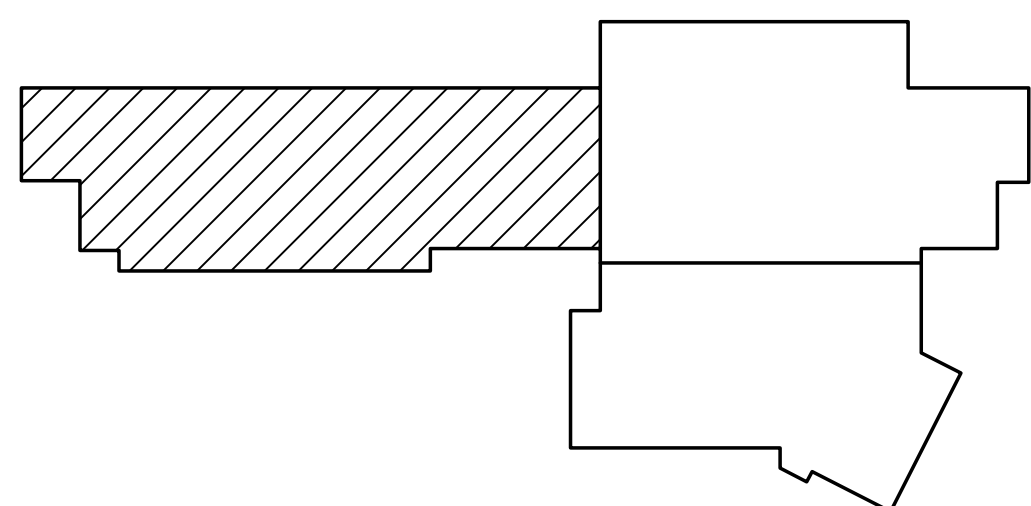
- NOTES :
1. T.O.S. ELEVATION TO BE (+44'-9 3/8") U.N.O. TAKEN FROM DATUM FIN. FLOOR EL. 0'-0" (ACTUAL +23'-0")
 2. ALL "W" SHAPES TO BE A572 GR.50 U.N.O.
 3. ALL TUBE STEEL TO BE A500 GR.B U.N.O.
 4. ALL BOLTS TO BE 7/8" Ø A325 SLIP CRITICAL U.N.O.
 5. < > INDICATES NUMBER OF SHEAR CONNECTORS
 6. [] INDICATES CAMBER IN INCHES
 7. ▴ INDICATES MOMENT CONNECTION
 8. ▽ INDICATES DROP OF SLAB.
 9. ▣ INDICATES BEAM PENETRATION IN WEB
 10. --- DENOTES SLAB DEPRESSION BOUNDARY

APPROVAL/REVIEW AUTHORITY:
PLEASE REVIEW THIS DRAWING CAREFULLY.
IT REPRESENTS OUR INTERPRETATION OF THE INTENT OF THE CONTRACT DOCUMENTS. HOWEVER, THE STEEL FABRICATOR AND THE STRUCTURAL STEEL DETAILER ASSUME NO RESPONSIBILITY FOR THE ACCURACY OF THE INFORMATION SHOWN ON THIS DRAWING. THIS IS THE RESPONSIBILITY OF THE BUYER.

IT WILL BE ASSUMED THAT ALL INFORMATION SHOWN HEREIN HAS THE AFFIRMATION OF THE APPROVAL AUTHORITY UNLESS NOTED TO THE CONTRARY ON THIS DRAWING WHEN IT IS RETURNED FROM APPROVAL.

SUBSEQUENT CHANGES TO INFORMATION SHOWN ON THESE DRAWINGS AFTER FIRST SUBMISSION WILL BE CONSIDERED AS CONTRACT CHANGES.

ADOPTED BY THE NATIONAL INSTITUTE OF STEEL DETAILING 1977.

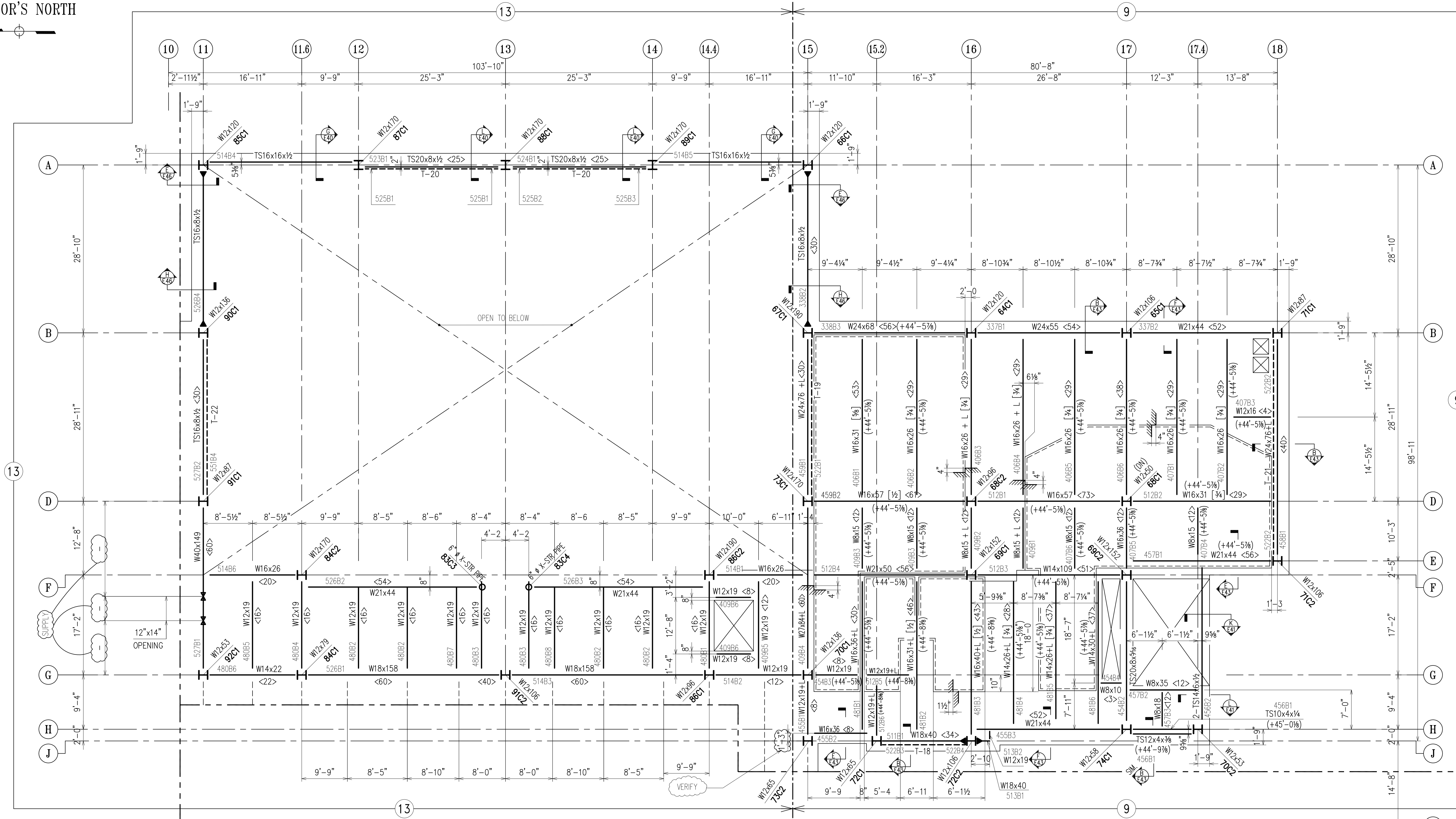
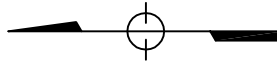


DRAWINGS PREPARED BY:
DIVISION FIVE DETAILING INC.
1770 Gallagher Drive
Vineland, New Jersey 08360
Phone: (856) 794-9474
Fax: (856) 696-2027

PAINT	NO PAINT U/NOTED	8/17	PER ADDENDUMS	1/18	PER APPL.
MATERIAL	GR.50 U/NOTED	8/13	ADD MARKINGS	1/9	FOR FIELD USE
HOLES	15/16" U/NOTED	7/19	PER ENGINEER	11/22	PER ENGINEER
ELECTRODES	E70XX	7/14	PER APPROVAL		
TOTAL WEIGHT		NO DATE	DESCRIPTION	NO DATE	DESCRIPTION
DIAG. REF #		REVISIONS			

DRAWINGS PREPARED BY:		WEIR WELDING CO. INC.	
DIVISION FIVE DETAILING INC.		LAW ENFORCEMENT SCHOOL	
1770 Gallagher Drive		CONTRACT NO	
Vineland, New Jersey 08360		S-616	
Phone: (856) 794-9474		DWG NO	
Fax: (856) 696-2027		E7	

ERECTOR'S NORTH



- NOTES :
1. T.O.S. ELEVATION TO BE (+44'-9 7/8") U.N.O. TAKEN FROM DATUM FIN. FLOOR EL. 0'-0" (ACTUAL +23'-0")
 2. ALL "W" SHAPES TO BE A572 GR.50 U.N.O.
ALL TUBE STEEL TO BE A500 GR.B U.N.O.
 3. ALL BOLTS TO BE 3/4" A325 SLIP CRITICAL U.N.O.
 4. <...> INDICATES NUMBER OF SHEAR CONNECTORS
 5. [...] INDICATES CAMBER IN INCHES
 6. ▴ INDICATES MOMENT CONNECTION
 7. ▽ INDICATES DROP OF SLAB.
 8. ▹ ▸ INDICATES BEAM PENETRATION IN WEB
 9. BEAMS, GIRDERS AND COLUMNS SHALL RECEIVE SPRAY FIREPROOFING
 10. ▭ ▭ DENOTES SLAB DEPRESSION BOUNDARY

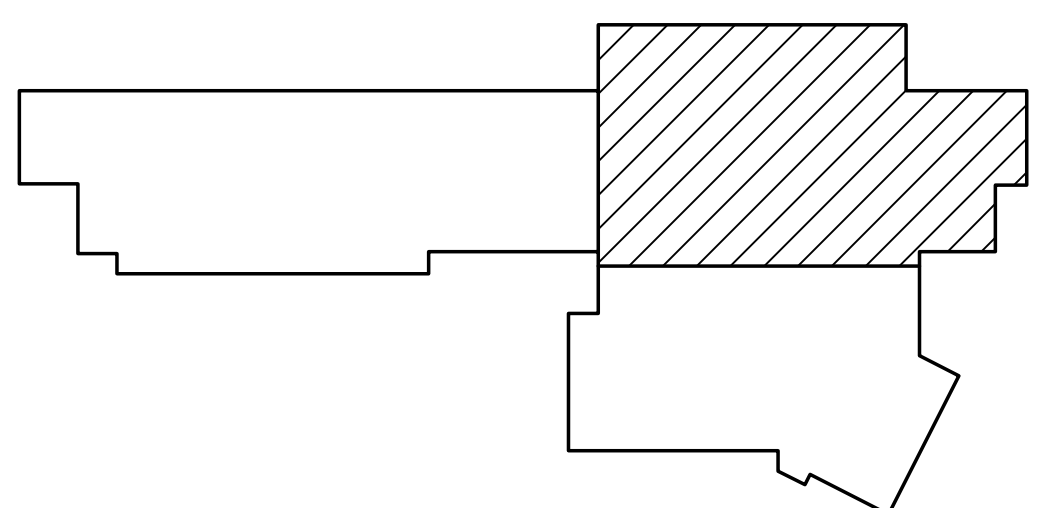
APPROVER,
PLEASE VERIFY/SUPPLY
ALL CLOUDED DIM'S.

APPROVAL/REVIEW AUTHORITY:
PLEASE REVIEW THIS DRAWING CAREFULLY.
IT REPRESENTS OUR INTERPRETATION OF THE INTENT OF THE CONTRACT DOCUMENTS. HOWEVER, THE STEEL FABRICATOR AND THE STRUCTURAL STEEL DETAILER ASSUME NO RESPONSIBILITY FOR THE ACCURACY OF THE INFORMATION SHOWN ON THIS DRAWING. THIS IS THE RESPONSIBILITY OF THE BUYER.

IT WILL BE ASSUMED THAT ALL INFORMATION SHOWN HEREIN HAS THE AFFIRMATION OF THE APPROVAL AUTHORITY UNLESS NOTED TO THE CONTRARY ON THIS DRAWING WHEN IT IS RETURNED FOR APPROVAL.

SUBSEQUENT CHANGES TO INFORMATION SHOWN ON THESE DRAWINGS AFTER FIRST SUBMISSION WILL BE CONSIDERED AS CONTRACT CHANGES.

ADOPTED BY THE NATIONAL INSTITUTE OF STEEL DETAILING 1977.

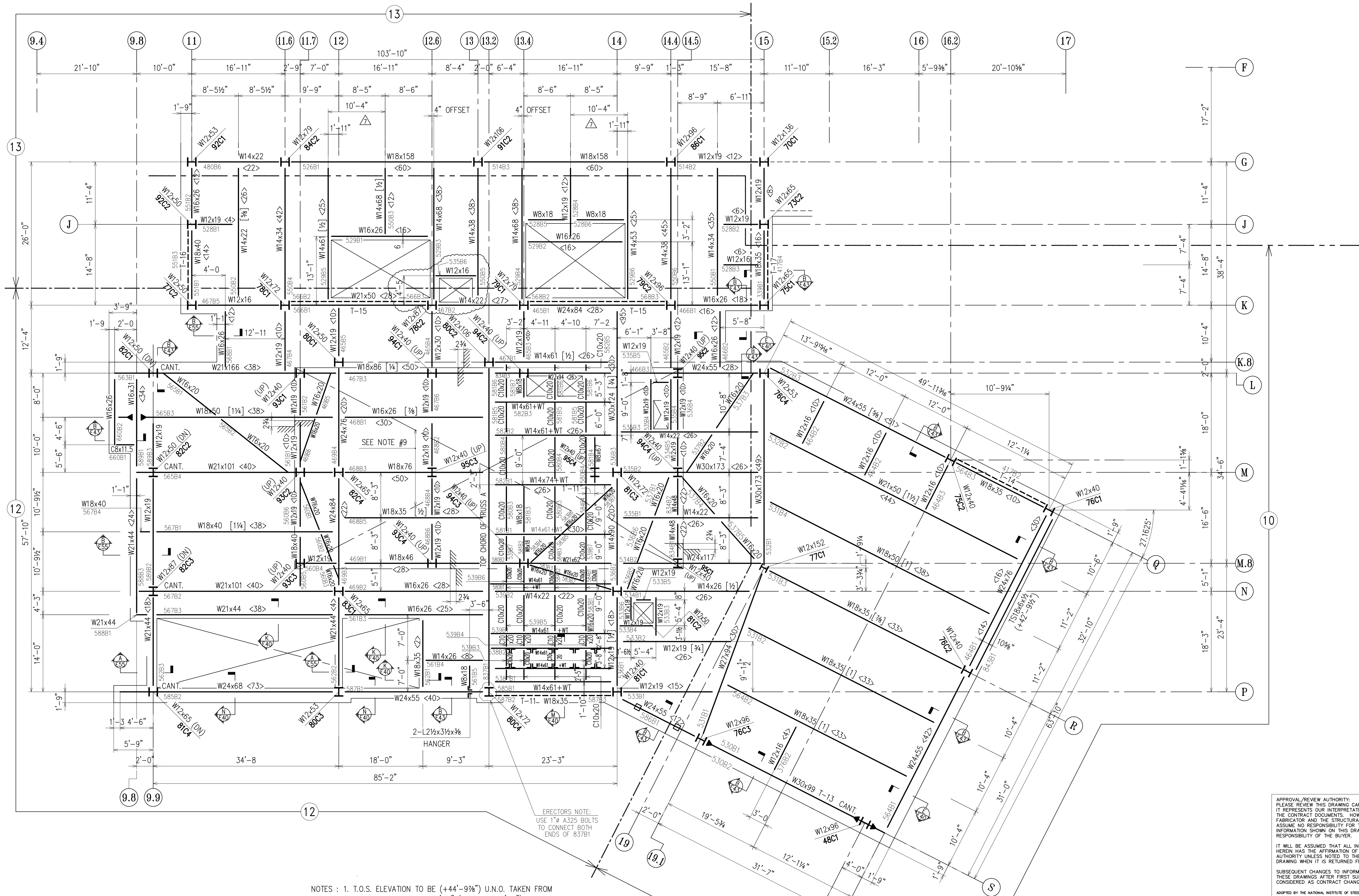
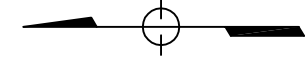


DRAWINGS PREPARED BY:
DIVISION FIVE DETAILING INC.
1770 Gallagher Drive
Vineland, New Jersey 08360
Phone: (856) 794-9474
Fax: (856) 696-2027

PAINT	NO PAINT U/NOTED	8/17	PER ADDENDUMS		
MATERIAL	GR.50 U/NOTED	8/17	PER ADDENDUMS		
HOLES	15/16" U/NOTED	7/30	ADD MARKINGS	10/26	PER CHECK/FIELD
ELECTRODES	E70XX	7/16	PER APPROVAL	8/24	PER CHECK
TOTAL WEIGHT		NO DATE	DESCRIPTION	NO DATE	DESCRIPTION
DIAG. REF #					REVISIONS

WEIR WELDING CO. INC.
LAW ENFORCEMENT SCHOOL
NEW YORK, -N.Y.
CONTRACT NO. S-616
DWG NO. E8

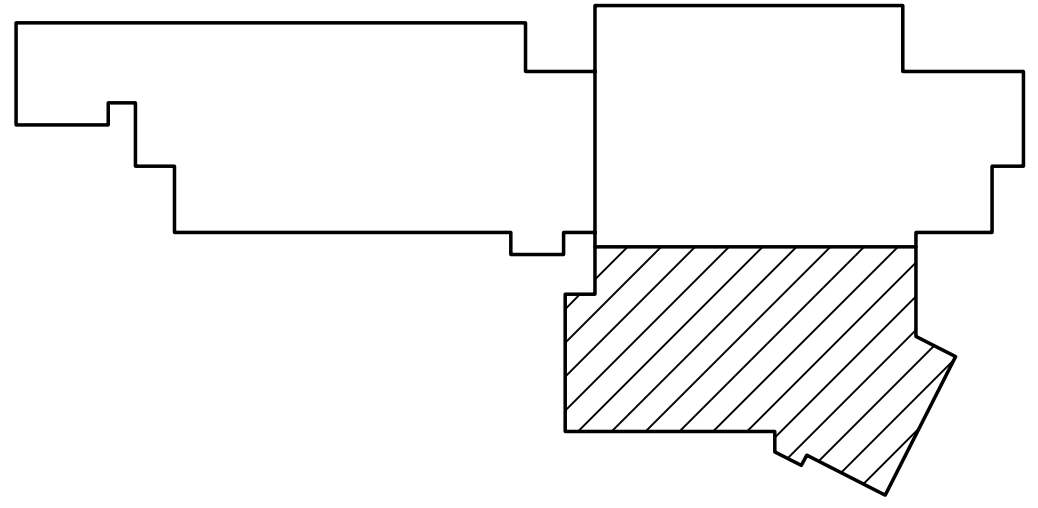
ERECTOR'S NORTH



ERECTOR'S NOTE:
USE 1" A325 BOLTS
TO CONNECT BOTH
ENDS OF 837B1

- NOTES :
1. T.O.S. ELEVATION TO BE (+44'-9 7/8") U.N.O. TAKEN FROM DATUM FIN. FLOOR EL. 0'-0" (ACTUAL +23'-0")
 2. ALL "W" SHAPES TO BE A572 GR.50 U.N.O. ALL TUBE STEEL TO BE A500 GR.B U.N.O.
 3. ALL BOLTS TO BE 7/8" Ø A325 SLIP CRITICAL U.N.O.
 4. <...> INDICATES NUMBER OF SHEAR CONNECTORS
 5. [...] INDICATES CAMBER IN INCHES
 6. ▽ INDICATES DROP OF SLAB
 7. ▴ INDICATES MOMENT CONNECTION
 8. BEAMS, GIRDERS AND COLUMNS SHALL RECEIVE SPRAY FIREPROOFING
 9. WHERE NOTED, SLAB SHALL BE 6" THK. CONCRETE ON TOP OF 3" DEEP METAL DECK. (TOTAL SLAB THICKNESS = 9")
 10. SEE SHT. "E39" FOR TRUSS "A" ELEVATION & P.C. MKS.

APPROVAL/REVIEW AUTHORITY:
PLEASE REVIEW THIS DRAWING CAREFULLY.
IT REPRESENTS OUR INTERPRETATION OF THE INTENT OF THE CONTRACT DOCUMENTS. HOWEVER, THE STEEL FABRICATOR AND THE STRUCTURAL STEEL DETAILER ASSUME NO RESPONSIBILITY FOR THE ACCURACY OF THE INFORMATION SHOWN ON THIS DRAWING. THIS IS THE RESPONSIBILITY OF THE BUYER.
IT WILL BE ASSUMED THAT ALL INFORMATION SHOWN HEREIN HAS THE AFFIRMATION OF THE APPROVAL AUTHORITY UNLESS NOTED TO THE CONTRARY ON THIS DRAWING WHEN IT IS RETURNED FROM APPROVAL.
SUBSEQUENT CHANGES TO INFORMATION SHOWN ON THESE DRAWINGS AFTER FIRST SUBMISSION WILL BE CONSIDERED AS CONTRACT CHANGES.
ADOPTED BY THE NATIONAL INSTITUTE OF STEEL DETAILING 1977.



DRAWINGS PREPARED BY:
DIVISION FIVE DETAILING INC.
1770 Gallagher Drive
Vineland, New Jersey 08360
Phone: (856) 794-9474
Fax: (856) 696-2027

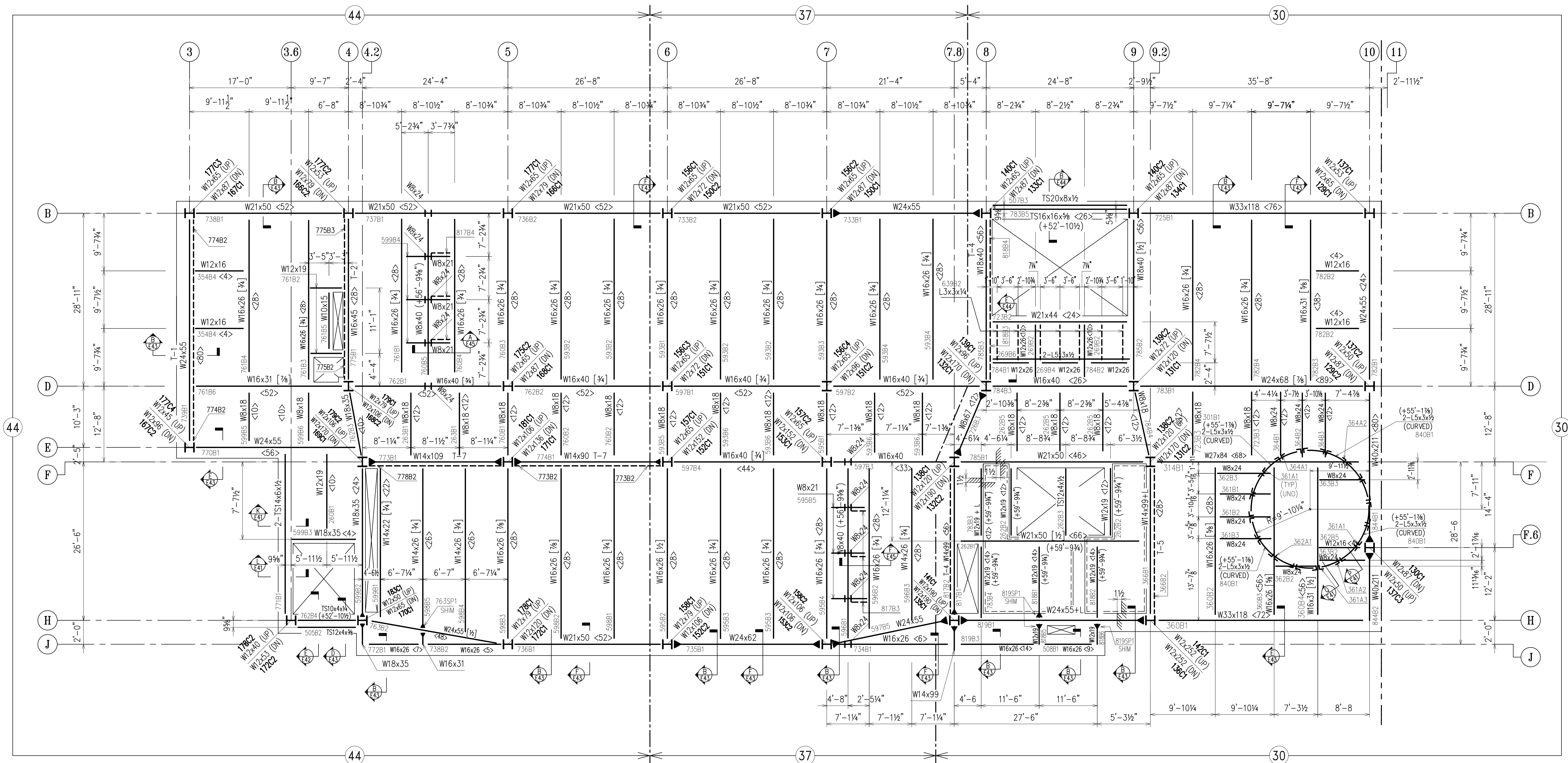
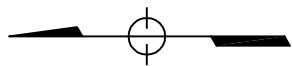
DIAG. REF #	NO	DATE	DESCRIPTION	NO	DATE	DESCRIPTION
	9/7		PER ENGINEER	11/14		PER ARCH/FIELD
	8/17		PER ADDENDUMS	10/26		PER CHECK/FIELD
	7/30		ADD MARKINGS	9/14		PER CHECK
	7/14		PER APPROVAL			

PAIN		NO PAINT U/NOTED		REVISIONS	
	9/7		PER ENGINEER	11/14	PER ARCH/FIELD
	8/17		PER ADDENDUMS	10/26	PER CHECK/FIELD
	7/30		ADD MARKINGS	9/14	PER CHECK
	7/14		PER APPROVAL		

WEIR WELDING CO. INC.

DRAFTER	Y.G.	CONTRACT NO
		S-616
CHECKED	BRB	DWG NO
		E9

LAW ENFORCEMENT SCHOOL



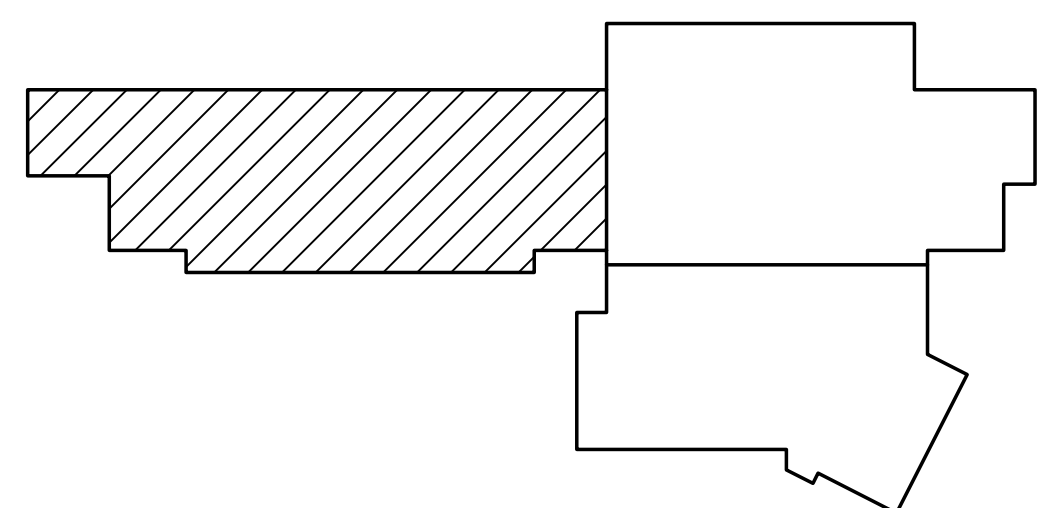
- NOTES :
1. T.O.S. ELEVATION TO BE (+59'-11 1/4") U.N.O. TAKEN FROM DATUM FIN. FLOOR EL. 0'-0" (ACTUAL +23'-0")
 2. ALL "W" SHAPES TO BE A572 GR.50 U.N.O.
 3. ALL TUBE STEEL TO BE A500 GR.B U.N.O.
 4. ALL BOLTS TO BE 7/8" Ø A325 SLIP CRITICAL U.N.O.
 5. [] INDICATES CAMBER IN INCHES
 6. [] INDICATES MOMENT CONNECTION
 7. [] INDICATES DROP OF SLAB.
 8. [] INDICATES BEAM PENETRATION IN WEB
 9. BEAMS, GIRDERS AND COLUMNS SHALL RECEIVE SPRAY FIREPROOFING
 10. --- DENOTES SLAB DEPRESSION BOUNDARY

APPROVAL/REVIEW AUTHORITY:
PLEASE REVIEW THIS DRAWING CAREFULLY.
IT REPRESENTS OUR INTERPRETATION OF THE INTENT OF THE CONTRACT DOCUMENTS. HOWEVER, THE STEEL FABRICATOR AND THE STRUCTURAL STEEL DETAILER ASSUME NO RESPONSIBILITY FOR THE ACCURACY OF THE INFORMATION SHOWN ON THIS DRAWING. THIS IS THE RESPONSIBILITY OF THE BUYER.

IT WILL BE ASSUMED THAT ALL INFORMATION SHOWN HEREIN HAS THE AFFIRMATION OF THE APPROVAL AUTHORITY UNLESS NOTED TO THE CONTRARY ON THIS DRAWING WHEN IT IS RETURNED FROM APPROVAL.

SUBSEQUENT CHANGES TO INFORMATION SHOWN ON THESE DRAWINGS AFTER FIRST SUBMISSION WILL BE CONSIDERED AS CONTRACT CHANGES.

ADOPTED BY THE NATIONAL INSTITUTE OF STEEL DETAILING 1977.

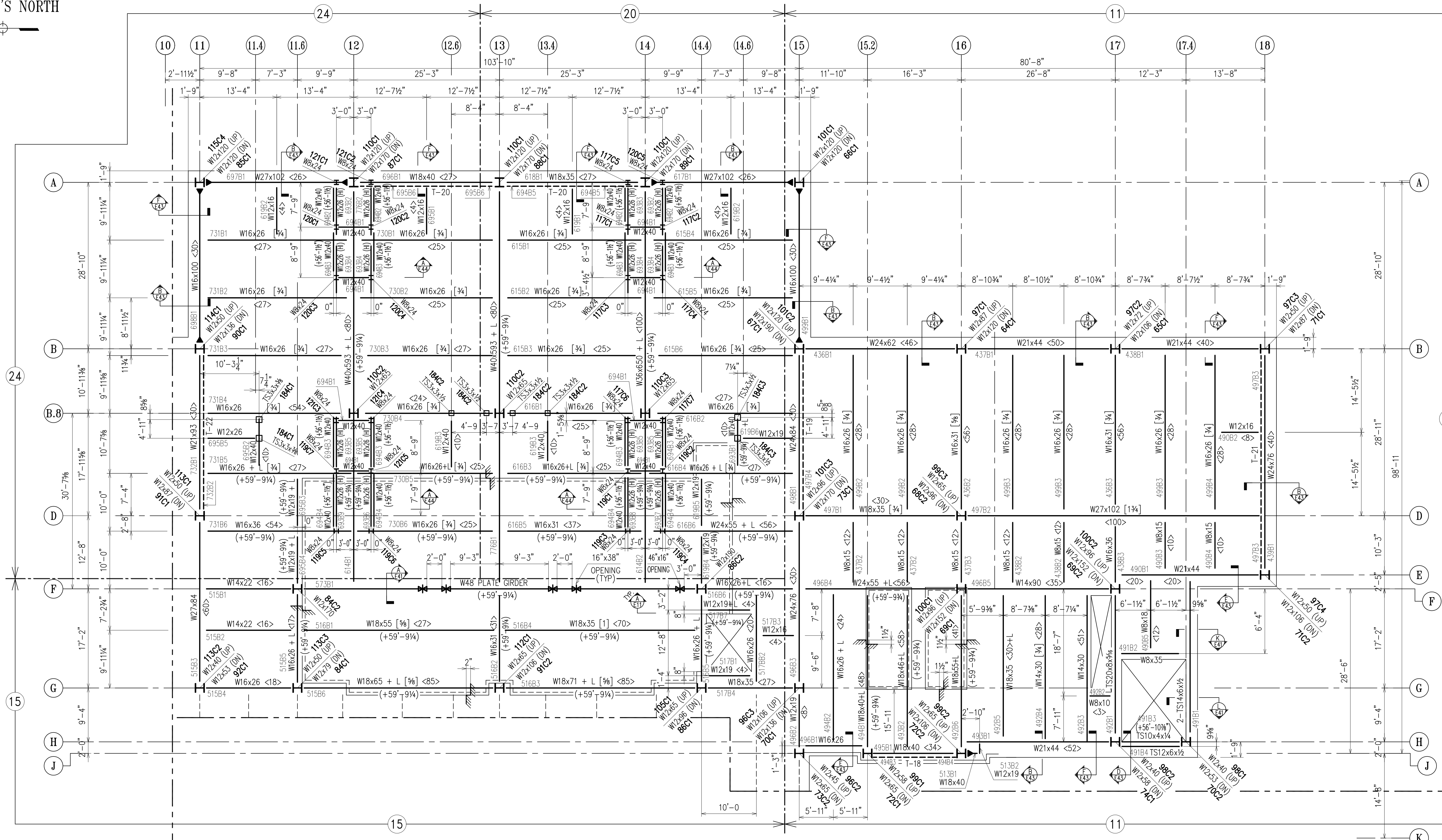


DRAWINGS PREPARED BY:
DIVISION FIVE DETAILING INC.
1770 Gallagher Drive
Vineland, New Jersey 08360
Phone: (856) 794-9474
Fax: (856) 696-2027

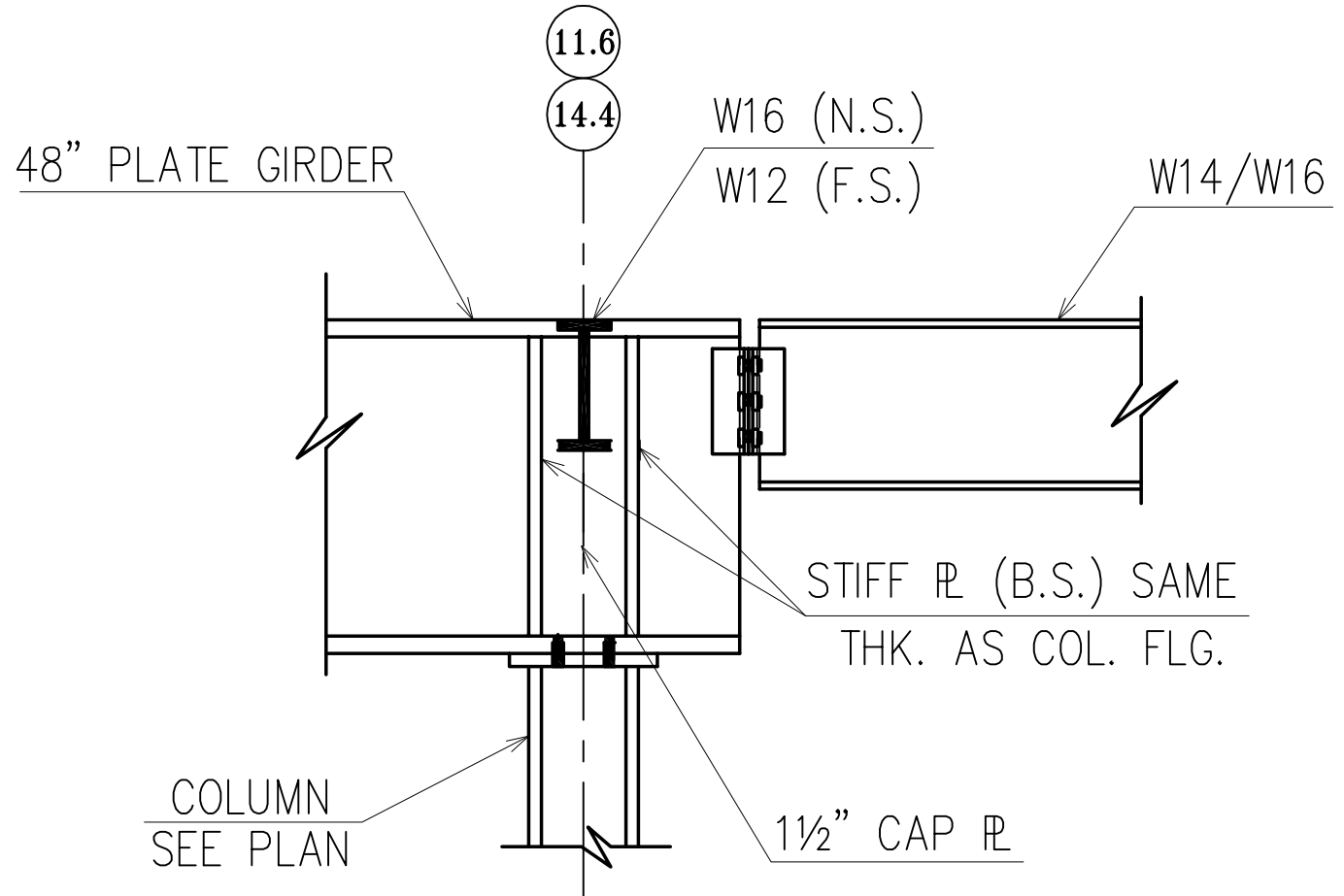
PAINT	NO PAINT U/NOTED	8/13	ADD MARKINGS	1/18	PER APPLV.
MATERIAL	GR.50 U/NOTED	8/6	ADD MARKINGS	1/9	FOR FIELD USE
HOLES	15/16" U/NOTED	7/19	PER ENGINEER	11/22	PER ENGINEER
ELECTRODES	E70XX	4/17	PER APPROVAL	8/17	PER ADDENDUMS
TOTAL WEIGHT		NO DATE	DESCRIPTION	NO DATE	DESCRIPTION
DIAG. REF #					REVISIONS

DRAWINGS PREPARED BY:		WEIR WELDING CO. INC.	
DIVISION FIVE DETAILING INC.		LAW ENFORCEMENT SCHOOL	
1770 Gallagher Drive		CONTRACT NO	
Vineland, New Jersey 08360		S-616	
Phone: (856) 794-9474		DWG NO	
Fax: (856) 696-2027		E10	

ERECTOR'S NORTH



- NOTES :
1. T.O.S. ELEVATION TO BE (+59'-11 1/4") U.N.O. TAKEN FROM DATUM FIN. FLOOR EL. 0'-0" (ACTUAL +23'-0")
 2. ALL "W" SHAPES TO BE A572 GR.50 U.N.O. ALL TUBE STEEL TO BE A500 GR.B U.N.O.
 3. ALL BOLTS TO BE 3/4" A325 SLIP CRITICAL U.N.O.
 4. <...> INDICATES NUMBER OF SHEAR CONNECTORS
 5. [...] INDICATES CAMBER IN INCHES
 6. ▽ INDICATES MOMENT CONNECTION
 7. ▽ INDICATES DROP OF SLAB.
 8. ▽ INDICATES BEAM PENETRATION IN WEB
 9. BEAMS, GIRDERS AND COLUMNS SHALL RECEIVE SPRAY FIREPROOFING
 10. ~ DENOTES SLAB DEPRESSION BOUNDARY



APPROVAL/REVIEW AUTHORITY:
 PLEASE REVIEW THIS DRAWING CAREFULLY. IT REPRESENTS OUR INTERPRETATION OF THE INTENT OF THE CONTRACT DOCUMENTS. HOWEVER, THE STEEL FABRICATOR AND THE STRUCTURAL STEEL DETAILER ASSUME NO RESPONSIBILITY FOR THE ACCURACY OF THE INFORMATION SHOWN ON THIS DRAWING. THIS IS THE RESPONSIBILITY OF THE BUYER.

IT WILL BE ASSUMED THAT ALL INFORMATION SHOWN HEREIN HAS THE AFFIRMATION OF THE APPROVAL AUTHORITY UNLESS NOTED TO THE CONTRARY ON THIS DRAWING WHEN IT IS RETURNED FROM APPROVAL.

SUBSEQUENT CHANGES TO INFORMATION SHOWN ON THESE DRAWINGS AFTER FIRST SUBMISSION WILL BE CONSIDERED AS CONTRACT CHANGES.

ADOPTED BY THE NATIONAL INSTITUTE OF STEEL DETAILING 1977.

PAINT	NO PAINT U/NOTED	8/7	PER ADDENDUMS	11/5	PER CHECK
MATERIAL	GR.50 U/NOTED	8/6	ADD MARKINGS	10/26	PER CHECK/FIELD
HOLES	15/16" U/NOTED	7/30	ADD MARKINGS	9/14	PER CHECK
ELECTRODES	E70XX	7/19	PER APPROVAL	9/14	PER CHECK
TOTAL WEIGHT		NO DATE	DESCRIPTION	NO DATE	DESCRIPTION
DIAG. REF #			REVISIONS		

DRAWINGS PREPARED BY:

DIVISION FIVE DETAILING INC.

1770 Gallagher Drive

Vineland, New Jersey 08360

Phone: (856) 794-9474

Fax: (856) 696-2027

WEIR WELDING CO. INC.

LAW ENFORCEMENT SCHOOL

CONTRACT NO S-616

DWG NO E11

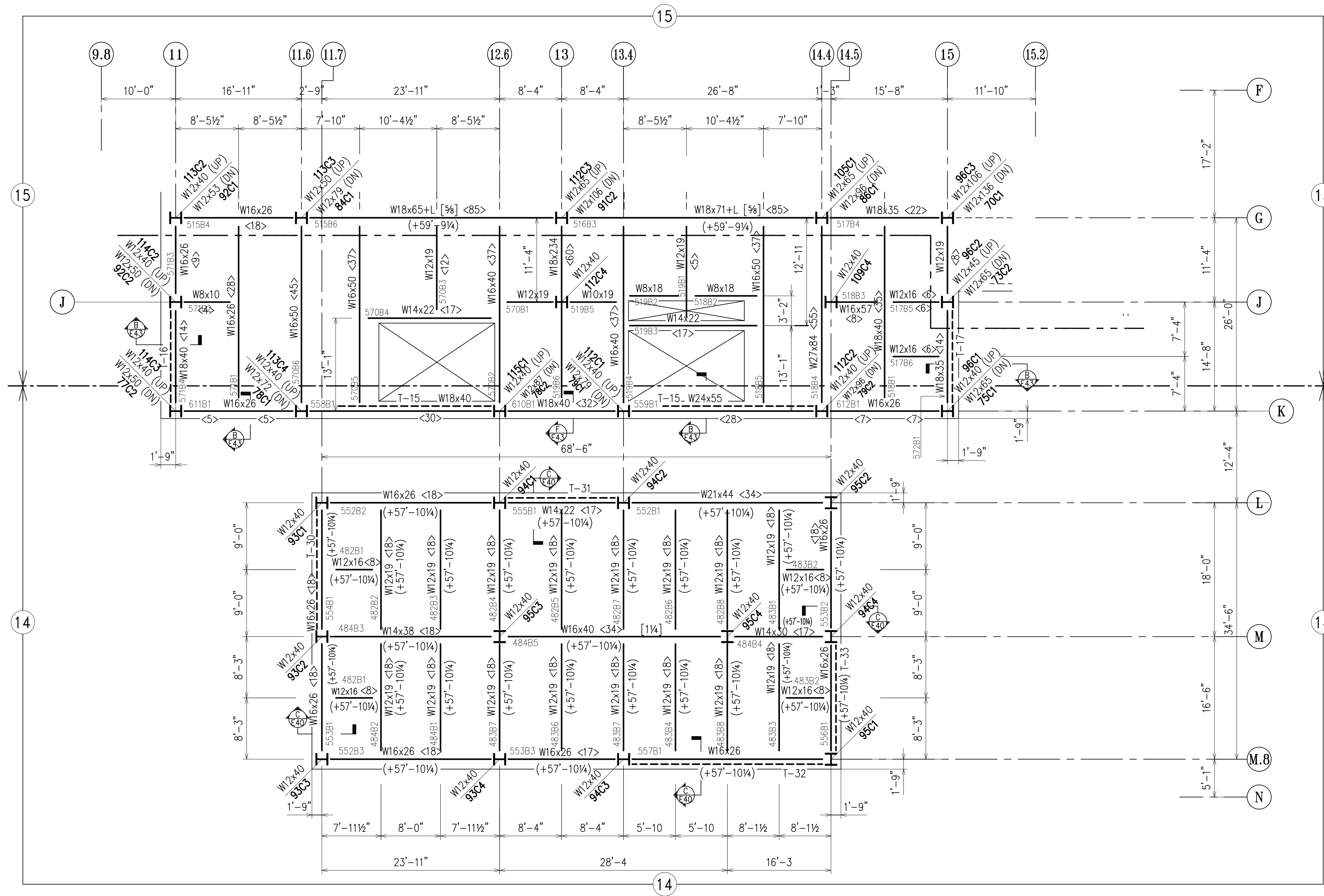
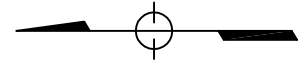
DRAFTER Yus

DATE 4/27/01

CHECKED BRB

DATE 8/14/01

ERECTOR'S NORTH



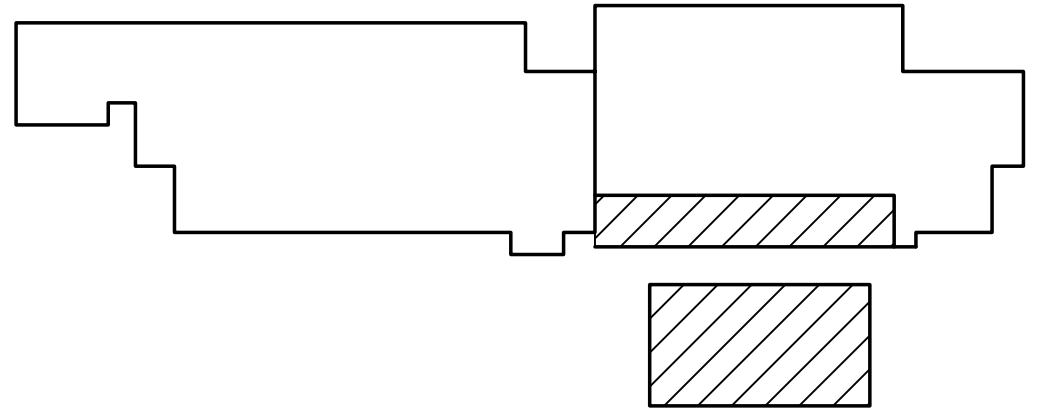
- NOTES : 1. T.O.S. ELEVATION TO BE (+59'-11 1/4") U.N.O. TAKEN FROM DATUM FIN. FLOOR EL. 0'-0" (ACTUAL +23'-0")
2. ALL "W" SHAPES TO BE A572 GR.50 U.N.O.
ALL TUBE STEEL TO BE A500 GR.B U.N.O.
3. ALL BOLTS TO BE 7/8" Ø A325 SLIP CRITICAL U.N.O.
4. <...> INDICATES NUMBER OF SHEAR CONNECTORS
5. [...] INDICATES CAMBER IN INCHES
6. ▽ INDICATES DROP OF SLAB
7. ▴ INDICATES MOMENT CONNECTION
8. BEAMS, GIRDERS AND COLUMNS SHALL RECEIVE SPRAY FIREPROOFING

APPROVAL/REVIEW AUTHORITY:
PLEASE REVIEW THIS DRAWING CAREFULLY.
IT REPRESENTS OUR INTERPRETATION OF THE INTENT OF THE CONTRACT DOCUMENTS. HOWEVER, THE STEEL FABRICATOR AND THE STRUCTURAL STEEL DETAILER ASSUME NO RESPONSIBILITY FOR THE ACCURACY OF THE INFORMATION SHOWN ON THIS DRAWING. THIS IS THE RESPONSIBILITY OF THE BUYER.

IT WILL BE ASSUMED THAT ALL INFORMATION SHOWN HEREIN HAS THE AFFIRMATION OF THE APPROVAL AUTHORITY UNLESS NOTED TO THE CONTRARY ON THIS DRAWING WHEN IT IS RETURNED FROM APPROVAL.

SUBSEQUENT CHANGES TO INFORMATION SHOWN ON THESE DRAWINGS AFTER FIRST SUBMISSION WILL BE CONSIDERED AS CONTRACT CHANGES.

ADOPTED BY THE NATIONAL INSTITUTE OF STEEL DETAILING 1977.



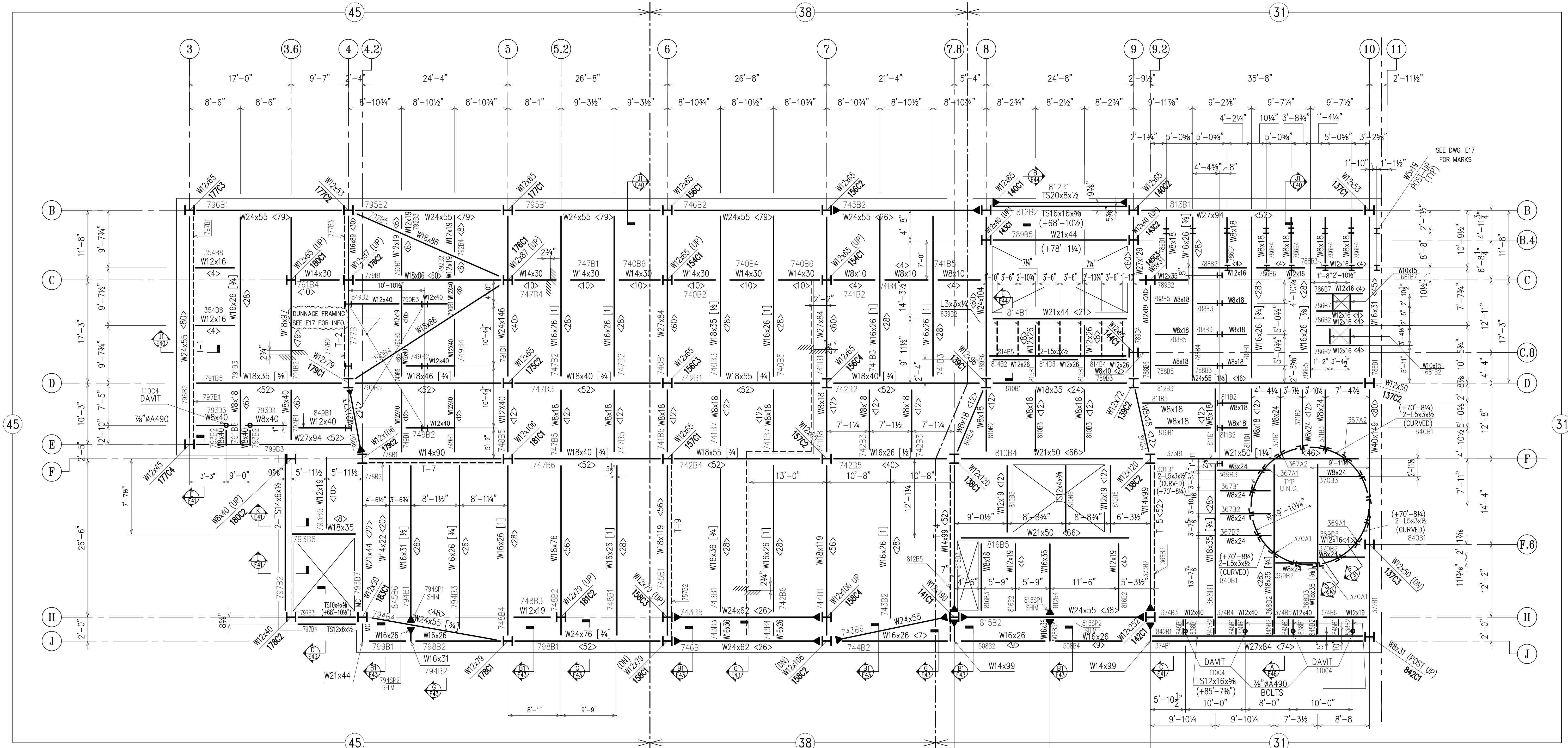
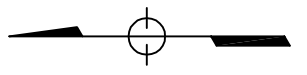
DRAWINGS PREPARED BY:
DIVISION FIVE DETAILING INC.
1770 Gallagher Drive
Vineland, New Jersey 08360
Phone: (856) 794-9474
Fax: (856) 696-2027

		REVISIONS	
DIAG. REF #	NO	DATE	DESCRIPTION
	1	9/17	PER CHECK
	2	8/17	PER ADDENDUMS
	3	7/30	ADD MARKINGS
	4	7/13	PER APPROVAL
	5	10/26	PER CHECK/FIELD
	6	10/04	PER ENG

PAINT		NO PAINT U/NOTED	9/17	PER CHECK	11/14	PER CHECK
MATERIAL		GR.50 U/NOTED	8/17	PER ADDENDUMS	10/26	PER CHECK/FIELD
HOLES		1 1/8" U/NOTED	7/30	ADD MARKINGS	10/04	PER ENG
ELECTRODES		E70XX	7/13	PER APPROVAL	10/26	PER CHECK/FIELD
TOTAL WEIGHT		NO DATE	DESCRIPTION	NO DATE	DESCRIPTION	
DIAG. REF #						

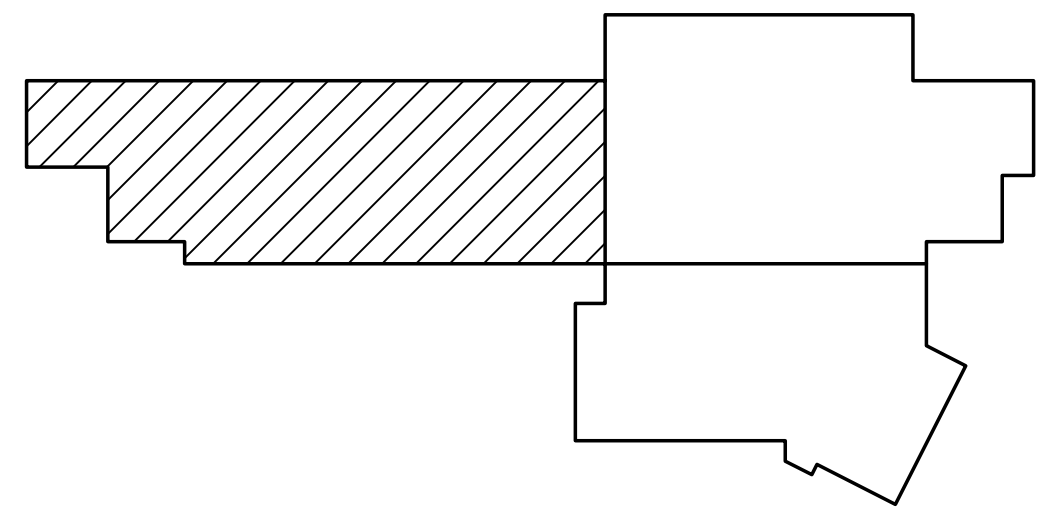
WEIR WELDING CO. INC.

DRAFTER YG	LAW ENFORCEMENT SCHOOL	CONTRACT NO
DATE 4/27/01		S-616
CHECKED BRB	NEW YORK, N.Y.	DWG NO
DATE 9/17/01		E12



- NOTES :
1. T.O.S. ELEVATION TO BE (+76'-4 1/2") U.N.O. TAKEN FROM DATUM FIN. FLOOR EL. 0'-0" (ACTUAL +23'-0")
 2. ALL "W" SHAPES TO BE A572 GR.50 U.N.O. ALL TUBE STEEL TO BE A500 GR.B U.N.O.
 3. ALL BOLTS TO BE 7/8" Ø A325 SLIP CRITICAL U.N.O.
 4. <...> INDICATES NUMBER OF SHEAR CONNECTORS
 5. [...] INDICATES CAMBER IN INCHES
 6. ▶ INDICATES MOMENT CONNECTION
 7. ▨ INDICATES DROP OF SLAB.
 8. BEAMS, GIRDERS AND COLUMNS SHALL RECEIVE SPRAY FIREPROOFING
 9. {...} INDICATES BOTTOM OF STEEL ELEVATION.
 10. --- DENOTES SLAB DEPRESSION BOUNDARY
 11. SEE DRAWING E17 FOR COOLING TOWER DUNNAGE FRAMING PLAN

APPROVAL/REVIEW AUTHORITY:
 PLEASE REVIEW THIS DRAWING CAREFULLY.
 IT REPRESENTS OUR INTERPRETATION OF THE INTENT OF THE CONTRACT DOCUMENTS. HOWEVER, THE STEEL FABRICATOR AND THE STRUCTURAL STEEL DETAILER ASSUME NO RESPONSIBILITY FOR THE ACCURACY OF THE INFORMATION SHOWN ON THIS DRAWING. THIS IS THE RESPONSIBILITY OF THE BUYER.
 IT WILL BE ASSUMED THAT ALL INFORMATION SHOWN HEREIN HAS THE AFFIRMATION OF THE APPROVAL AUTHORITY UNLESS NOTED TO THE CONTRARY ON THIS DRAWING WHEN IT IS RETURNED FOR APPROVAL.
 SUBSEQUENT CHANGES TO INFORMATION SHOWN ON THESE DRAWINGS AFTER FIRST SUBMISSION WILL BE CONSIDERED AS CONTRACT CHANGES.
 ADOPTED BY THE NATIONAL INSTITUTE OF STEEL DETAILING 1977.



DRAWINGS PREPARED BY:
 DIVISION FIVE DETAILING INC.
 1770 Gallegher Drive
 Vineland, New Jersey 08360
 Phone: (856) 794-9474
 Fax: (856) 696-2027

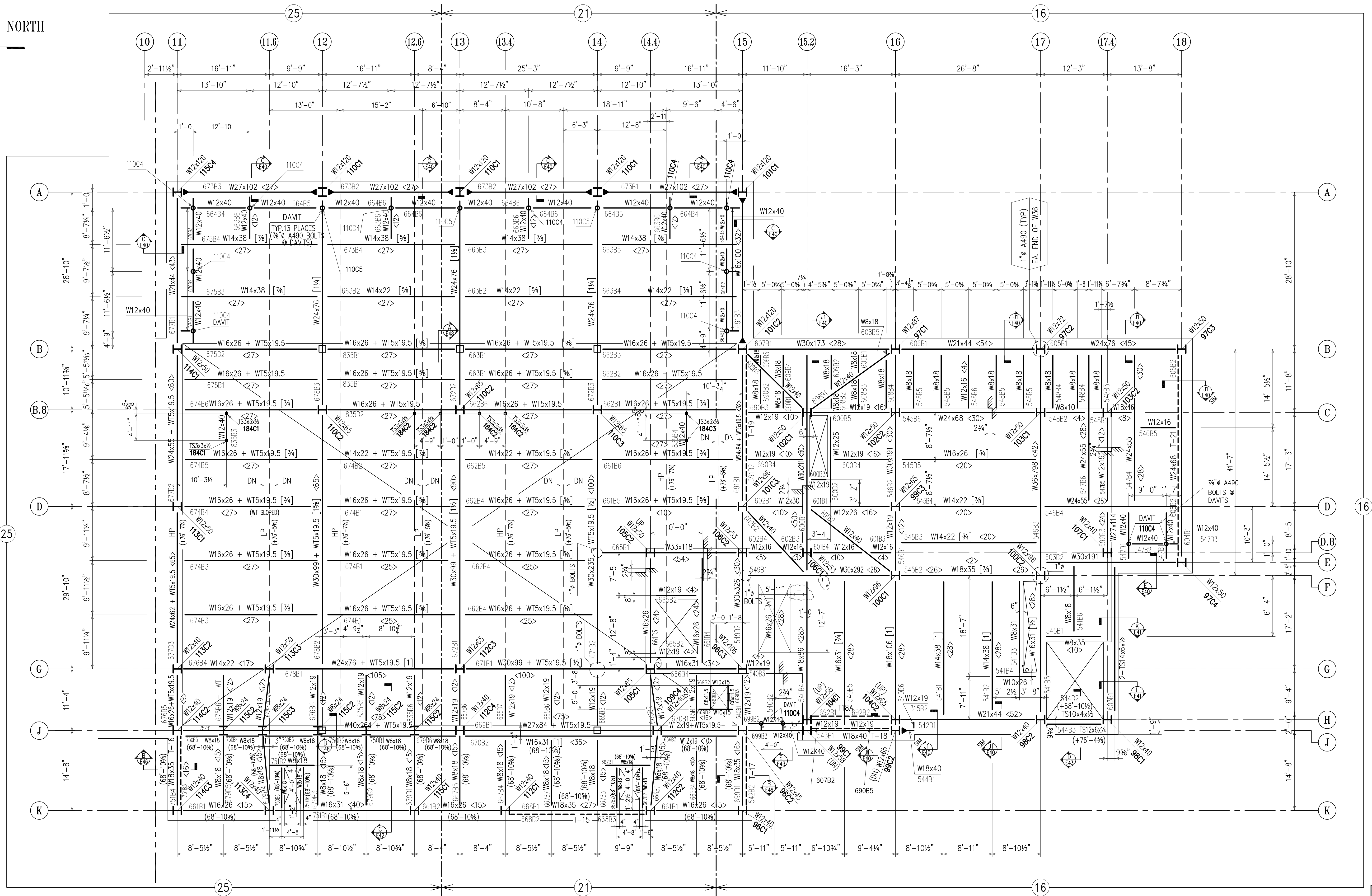
		1/25 FOR FIELD	
PAINT	NO PAINT U/NOTED	8/17	PER ARCH / ENG
MATERIAL	GR.50 U/NOTED	8/13	ADD MARKINGS
HOLES	15/16" U/NOTED	8/6	ADD MARKINGS
ELECTRODES	E70XX	7/19	PER APPROVAL
TOTAL WEIGHT		NO DATE	DESCRIPTION
DIAG. REF #		NO DATE	DESCRIPTION
		REVISIONS	
		1/10	PER ARCH / ENG
		12/28	PER HVAC
		11/28	PER CHECK
		11/22	PER ENGINEER

WEIR WELDING CO. INC.

DRAFTER	Yus	CONTRACT NO	S-616
DATE	4/27/01	DWG NO	E13
CHECKED			
DATE			

LAW ENFORCEMENT SCHOOL

ERECTOR'S NORTH



APPROVAL/REVIEW AUTHORITY: PLEASE REVIEW THIS DRAWING CAREFULLY. IT REPRESENTS OUR INTERPRETATION OF THE INTENT OF THE CONTRACT DOCUMENTS. HOWEVER, THE STEEL FABRICATOR AND THE STRUCTURAL STEEL DETAILER ASSUME NO RESPONSIBILITY FOR THE ACCURACY OF THE INFORMATION SHOWN ON THIS DRAWING. THIS IS THE RESPONSIBILITY OF THE BUYER. IT WILL BE ASSUMED THAT ALL INFORMATION SHOWN HEREIN HAS THE AFFIRMATION OF THE APPROVAL AUTHORITY UNLESS NOTED TO THE CONTRARY ON THIS DRAWING WHEN IT IS RETURNED FROM APPROVAL. SUBSEQUENT CHANGES TO INFORMATION SHOWN ON THESE DRAWINGS AFTER FIRST SUBMISSION WILL BE CONSIDERED AS CONTRACT CHANGES. ADOPTED BY THE NATIONAL INSTITUTE OF STEEL DETAILING 1977.

- NOTES :
1. T.O.S. ELEVATION TO BE (+76'-4 1/2") U.N.O. TAKEN FROM DATUM FIN. FLOOR EL. 0'-0" (ACTUAL +23'-0")
 2. ALL "W" SHAPES TO BE A572 GR.50 U.N.O. ALL TUBE STEEL TO BE A500 GR.B U.N.O.
 3. ALL BOLTS TO BE 3/4" A325 SLIP CRITICAL U.N.O.
 4. <...> INDICATES NUMBER OF SHEAR CONNECTORS
 5. [...] INDICATES CAMBER IN INCHES
 6. [M] INDICATES MOMENT CONNECTION
 7. [D] INDICATES DROP OF SLAB.
 8. BEAMS, GIRDERS AND COLUMNS SHALL RECEIVE SPRAY FIREPROOFING

DRAWINGS PREPARED BY:
 DIVISION FIVE DETAILING INC.
 1770 Gallagher Drive
 Vineland, New Jersey 08360
 Phone: (856) 794-9474
 Fax: (856) 696-2027

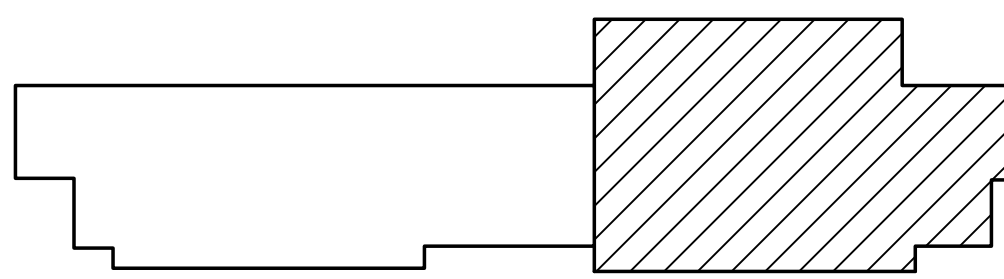
NO.	DATE	DESCRIPTION	NO.	DATE	DESCRIPTION
8/17		PER ADDENDUMS	12/21		PER ARCH/ENG
8/26		ADD MARKINGS	11/74		PER CHECK
7/30		ADD MARKINGS	10/74		PER ENG
7/18		PER ENGINEER	9/17		PER CHECK
7/14		PER APPROVAL	9/06		PER ENGINEER

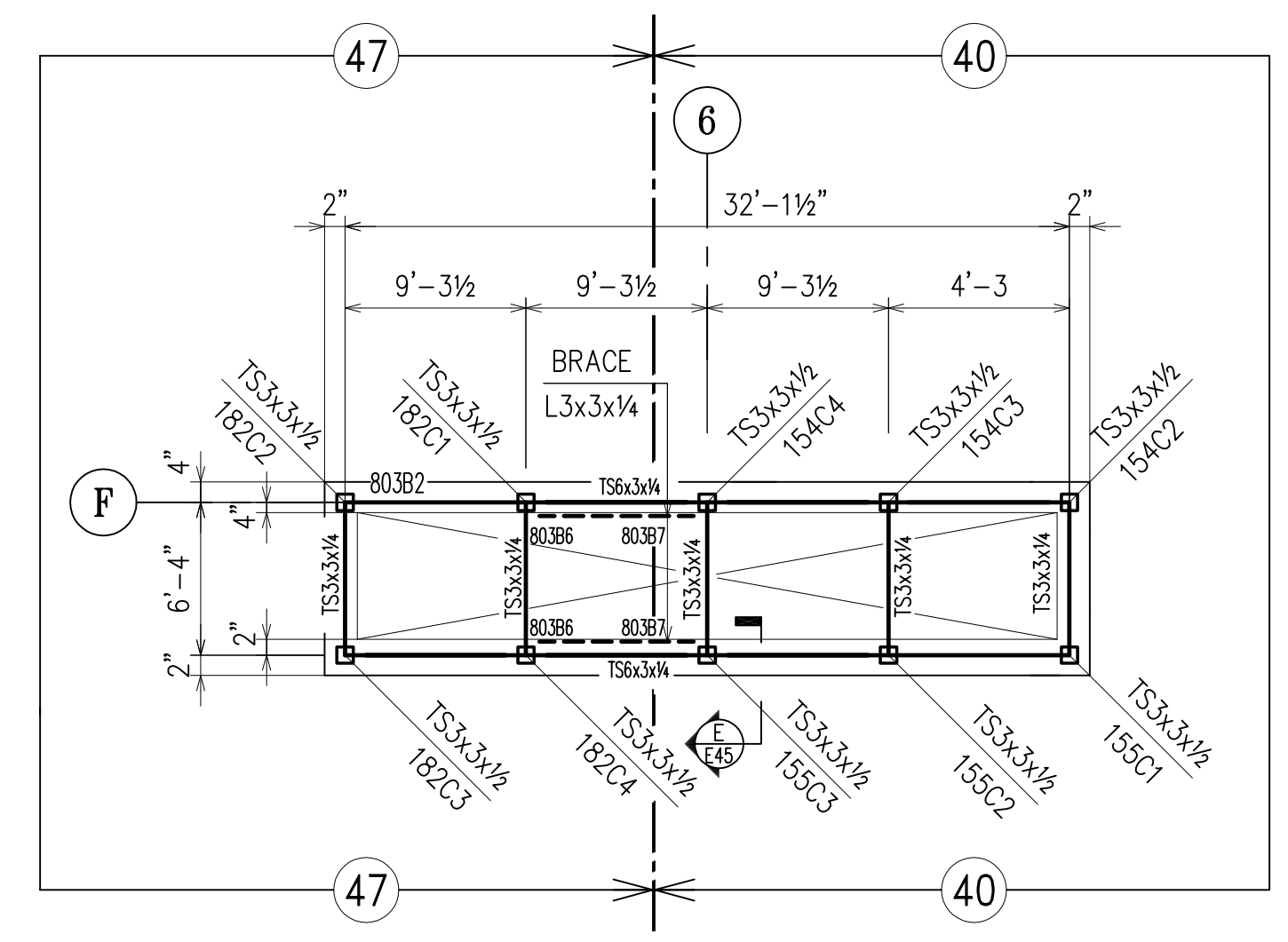
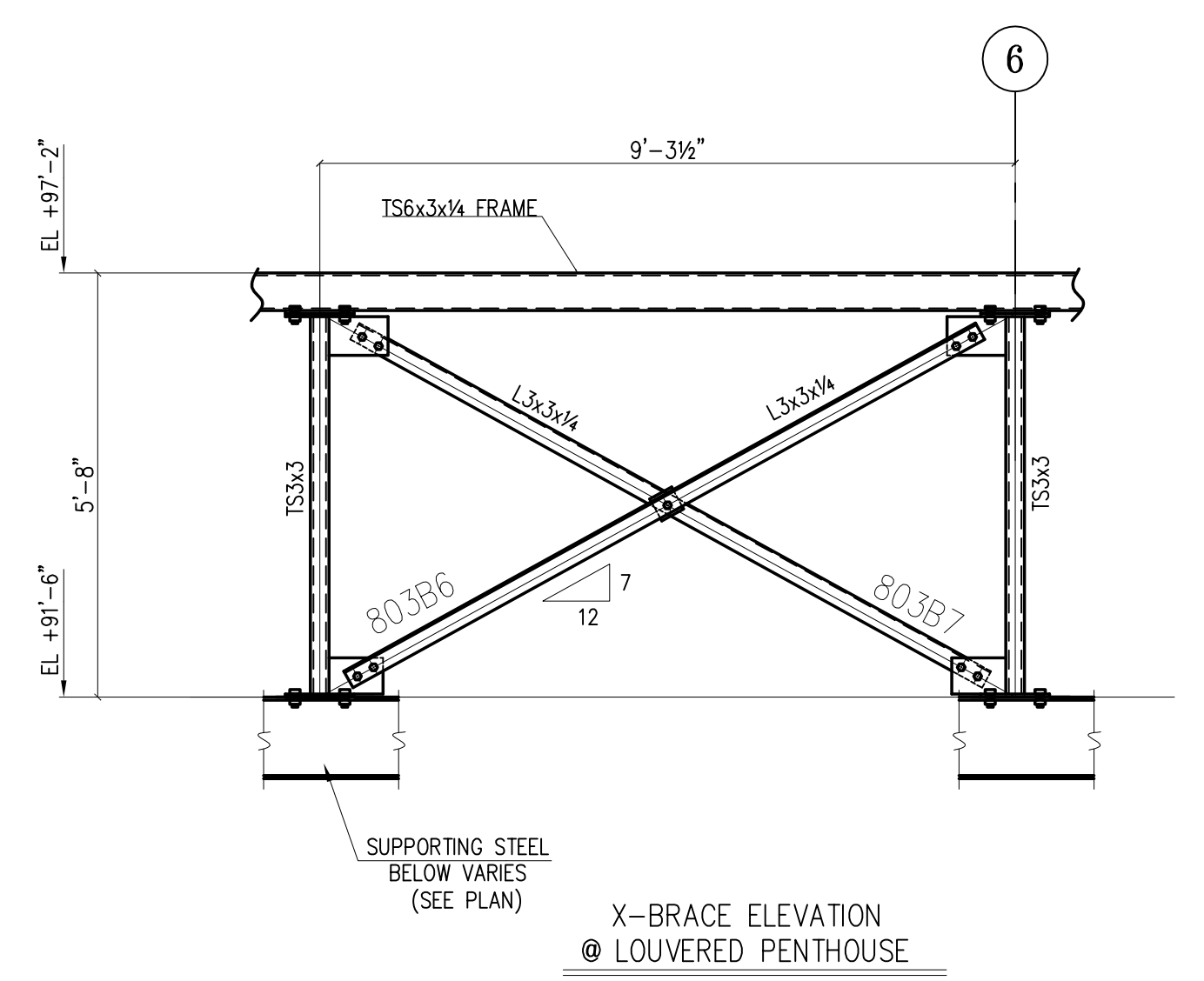
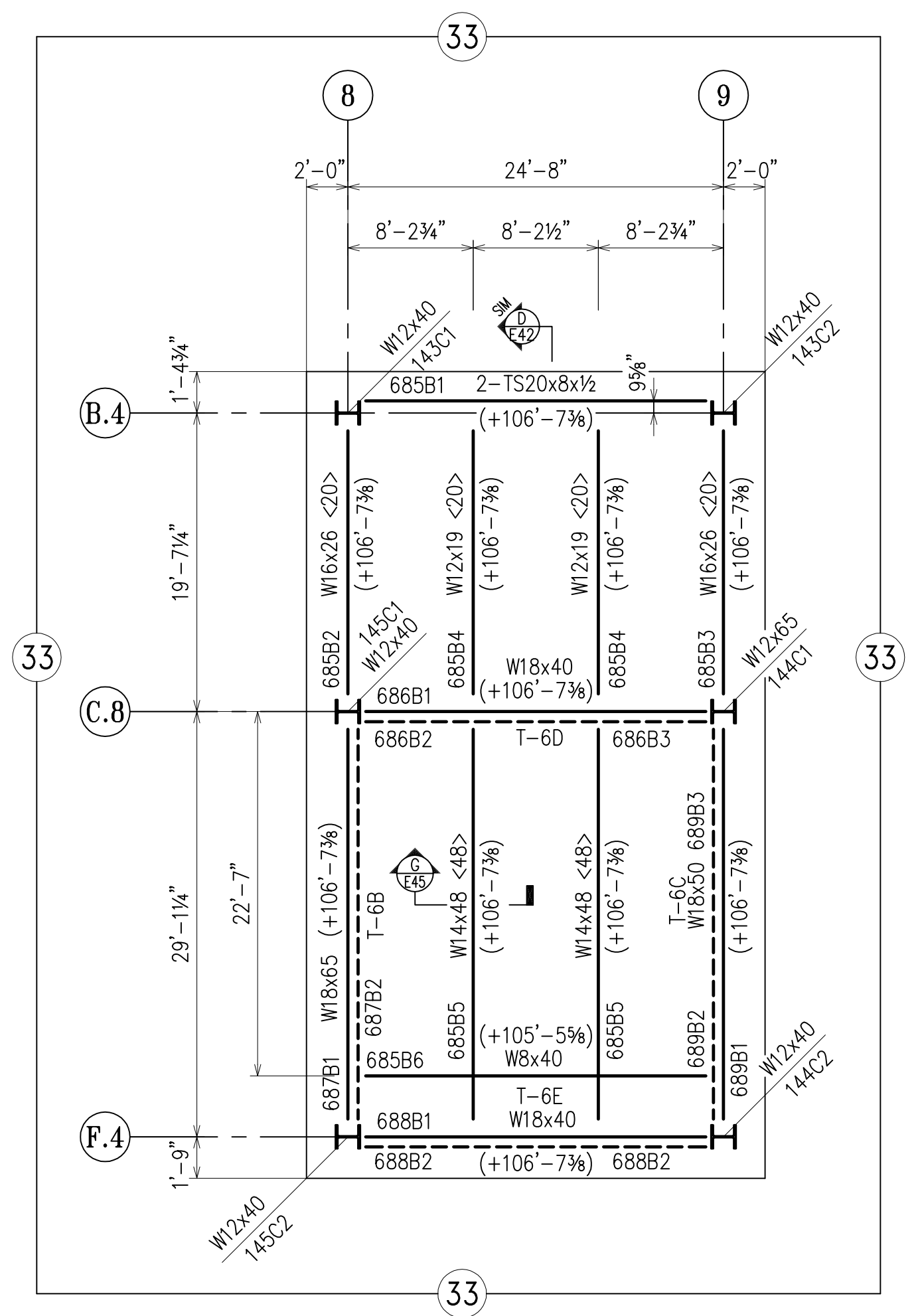
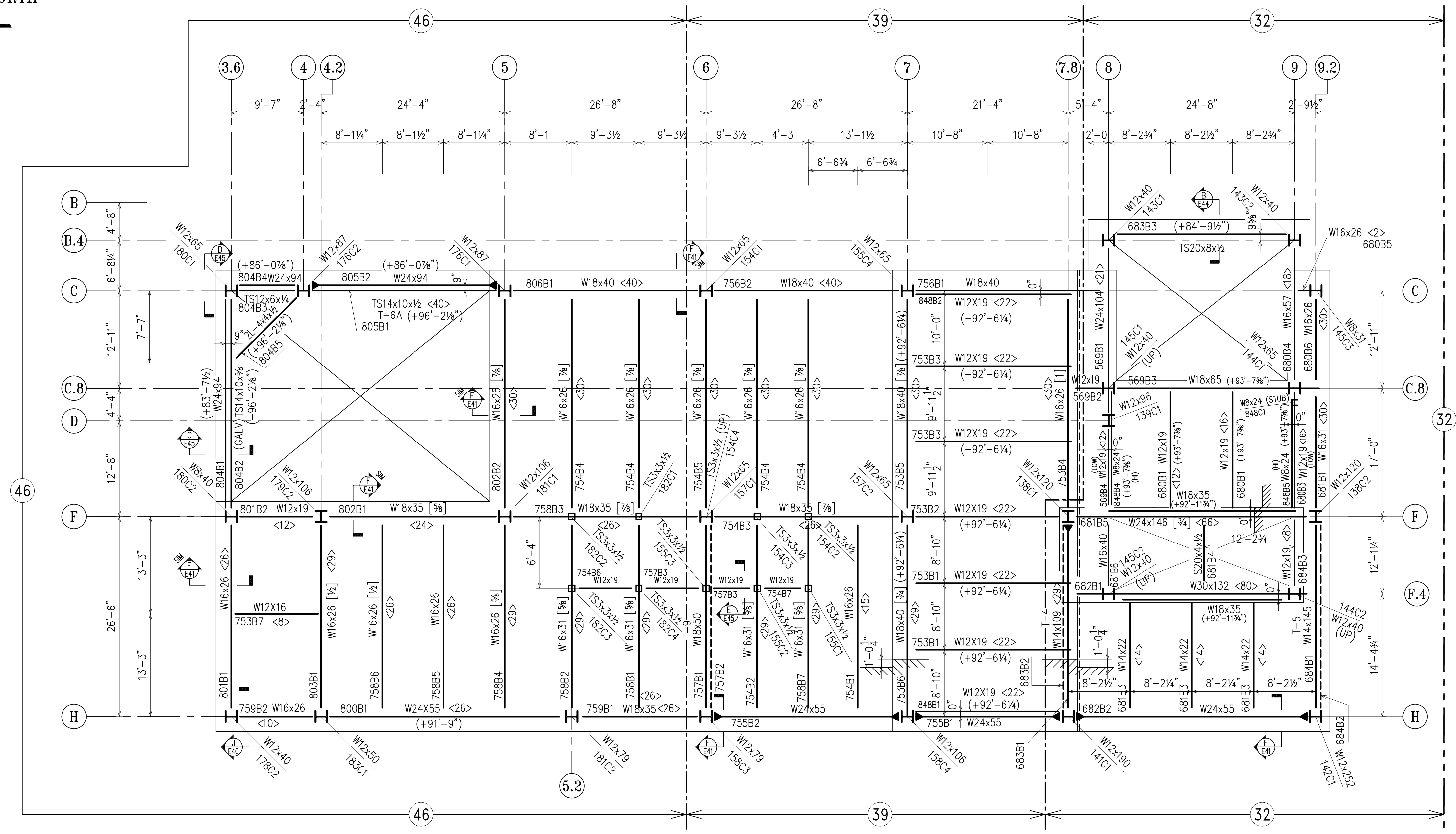
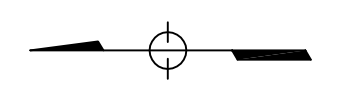
REVISIONS

PAIN	NO PAINT U/NOTED
MATERIAL	GR.50 U/NOTED
HOLES	1 3/16" U/NOTED
ELECTRODES	E70XX
TOTAL WEIGHT	
DIAG. REF #	

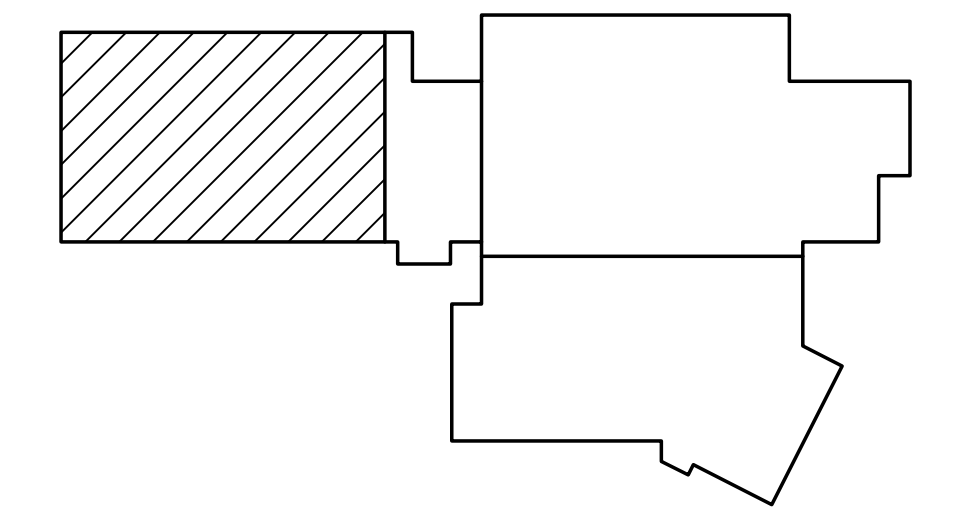
DRAFTER	Yus	CONTRACT NO	S-616
DATE	4/30/01		
CHECKED	D5		
DATE	9/17/01		

WEIR WELDING CO. INC.
 LAW ENFORCEMENT SCHOOL
 NEW YORK, N.Y.





- NOTES :
1. T.O.S. ELEVATION TO BE (+91'-6") U.N.O. TAKEN FROM DATUM FIN. FLOOR EL. 0'-0" (ACTUAL +23'-0")
 2. ALL "W" SHAPES TO BE A572 GR.50 U.N.O. ALL TUBE STEEL TO BE A500 GR.B U.N.O.
 3. ALL BOLTS TO BE 7/8" Ø A325 U.N.O.
 4. <...> INDICATES NUMBER OF SHEAR CONNECTORS
 5. [...] INDICATES CAMBER IN INCHES
 6. ▴ INDICATES MOMENT CONNECTION
 7. ▽ INDICATES DROP OF SLAB
 8. BEAMS, GIRDERS AND COLUMNS SHALL RECEIVE SPRAY FIRE PROOFING
 9. --- DENOTES SLAB DEPRESSION BOUNDARY



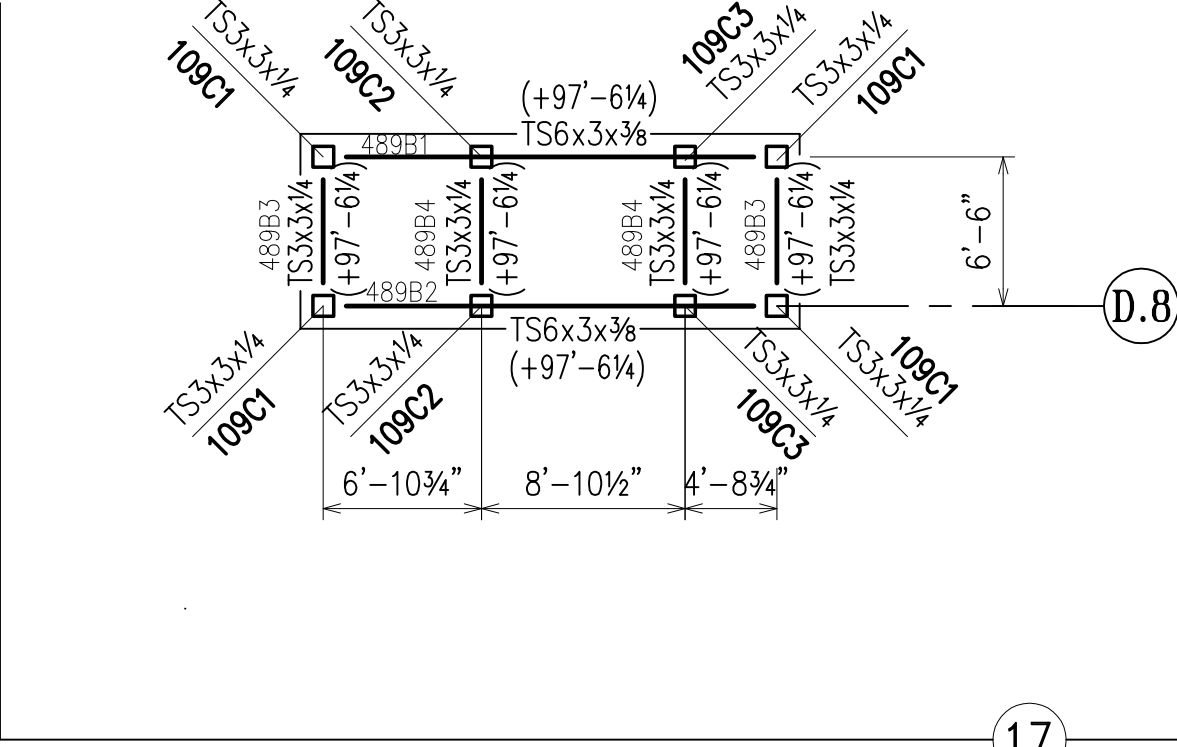
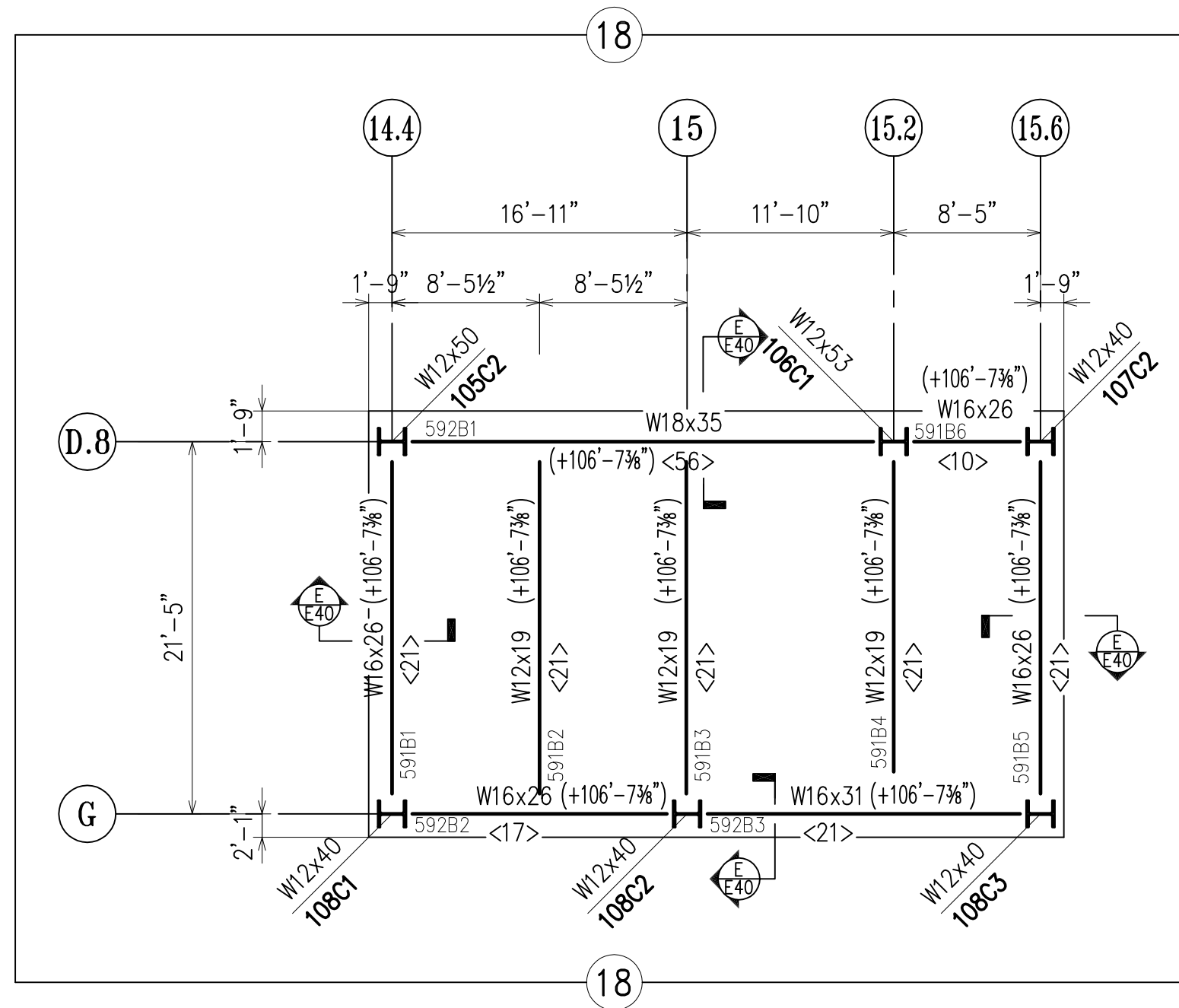
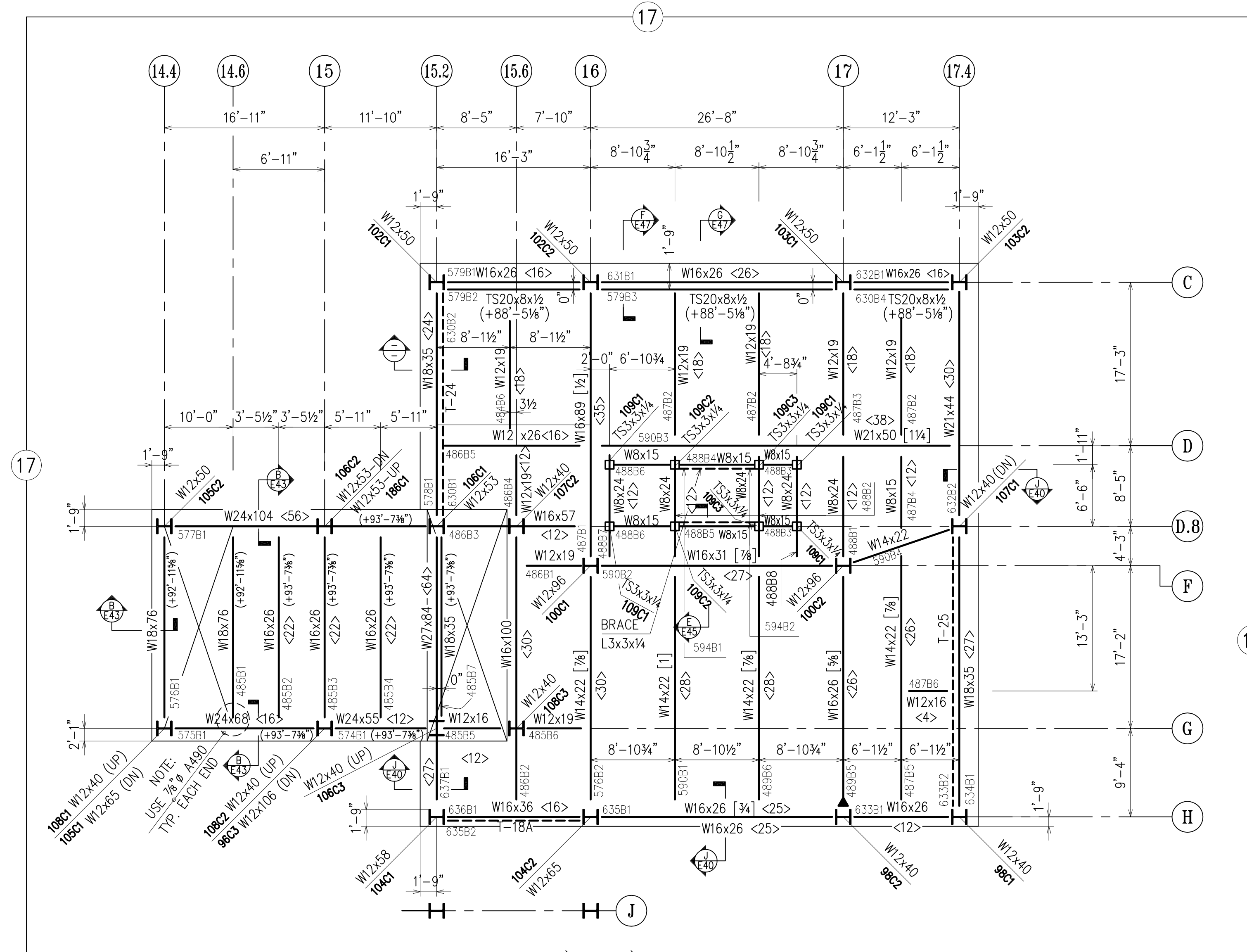
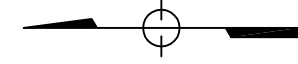
APPROVAL/REVIEW AUTHORITY:
 PLEASE REVIEW THIS DRAWING CAREFULLY. IT REPRESENTS OUR INTERPRETATION OF THE INTENT OF THE CONTRACT DOCUMENTS. HOWEVER, THE STEEL FABRICATOR AND THE STRUCTURAL STEEL DETAILER ASSUME NO RESPONSIBILITY FOR THE ACCURACY OF THE INFORMATION SHOWN ON THIS DRAWING. THIS IS THE RESPONSIBILITY OF THE BUYER.
 IT WILL BE ASSUMED THAT ALL INFORMATION SHOWN HEREIN HAS THE AFFIRMATION OF THE APPROVAL AUTHORITY UNLESS NOTED TO THE CONTRARY ON THIS DRAWING WHEN IT IS RETURNED FROM APPROVAL.
 SUBSEQUENT CHANGES TO INFORMATION SHOWN ON THESE DRAWINGS AFTER FIRST SUBMISSION SHALL BE CONSIDERED AS CONTRACT CHANGES.
 ADOPTED BY THE NATIONAL INSTITUTE OF STEEL DETAILING 1977.

DRAWINGS PREPARED BY:
 DIVISION FIVE DETAILING INC.
 1770 Gallagher Drive
 Vineland, New Jersey 08360
 Phone: (856) 794-9474
 Fax: (856) 696-2027

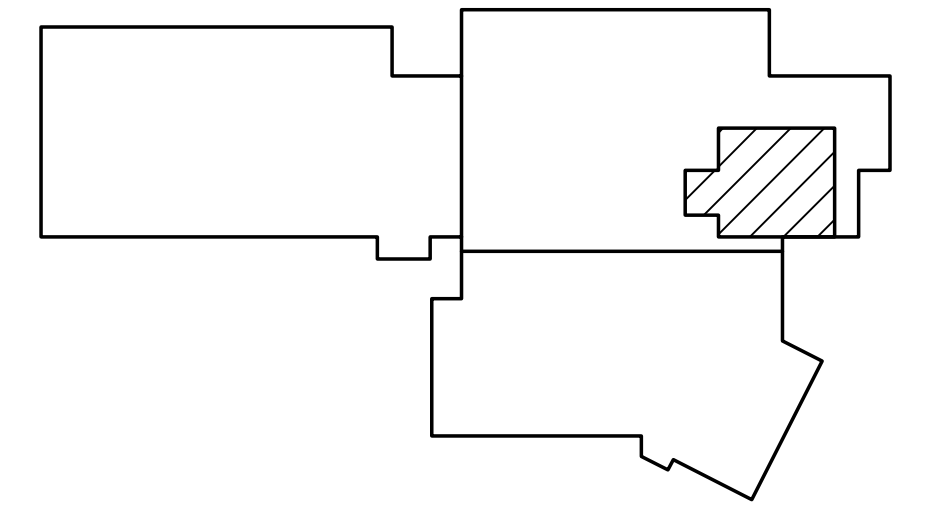
DIAG. REF #	REVISIONS	3/1 REVISED PENTHOUSE		1/25 FOR FIELD	
		NO	DATE	NO	DATE
PAINT	NO PAINT U/NOTED	8/06	ADD MARKINGS	1/08	PER ARCH / ENG.
MATERIAL	GR.50 U/NOTED	7/30	ADD MARKINGS	9/06	PER ENGINEER
HOLES	13/16" U/NOTED	7/18	PER ENGINEER	8/17	PER ADDENDUMS
ELECTRODES	E70XX	7/14	PER APPROVAL	8/13	ADD MARKINGS
TOTAL WEIGHT	NO DATE	DESCRIPTION	NO DATE	DESCRIPTION	

DRAWN BY		WEIR WELDING CO. INC.		CONTRACT NO	
DATE		LAW ENFORCEMENT SCHOOL		S-616	
CHECKED				DWG NO	
DATE				E15	

ERECTOR'S NORTH



- NOTES :
1. T.O.S. ELEVATION TO BE (+91'-6") U.N.O. TAKEN FROM DATUM FIN. FLOOR EL. 0'-0" (ACTUAL +23'-0")
 2. ALL "W" SHAPES TO BE A572 GR.50 U.N.O. ALL TUBE STEEL TO BE A500 GR.B U.N.O.
 3. ALL BOLTS TO BE 3/8" A325 SLIP CRITICAL U.N.O.
 4. <.> INDICATES NUMBER OF SHEAR CONNECTORS
 5. [...] INDICATES CAMBER IN INCHES
 6. ─ INDICATES MOMENT CONNECTION
 7. BEAMS, GIRDERS AND COLUMNS SHALL RECEIVE SPRAY FIREPROOFING



APPROVAL/REVIEW AUTHORITY:
PLEASE REVIEW THIS DRAWING CAREFULLY.
IT REPRESENTS OUR INTERPRETATION OF THE INTENT OF THE CONTRACT DOCUMENTS. HOWEVER, THE STEEL FABRICATOR AND THE STRUCTURAL STEEL DETAILER ASSUME NO RESPONSIBILITY FOR THE ACCURACY OF THE INFORMATION SHOWN ON THIS DRAWING. THIS IS THE RESPONSIBILITY OF THE BUYER.

IT WILL BE ASSUMED THAT ALL INFORMATION SHOWN HEREIN HAS THE AFFIRMATION OF THE APPROVAL AUTHORITY UNLESS NOTED TO THE CONTRARY ON THIS DRAWING WHEN IT IS RETURNED FROM APPROVAL.

SUBSEQUENT CHANGES TO INFORMATION SHOWN ON THESE DRAWINGS AFTER FIRST SUBMISSION WILL BE CONSIDERED AS CONTRACT CHANGES.

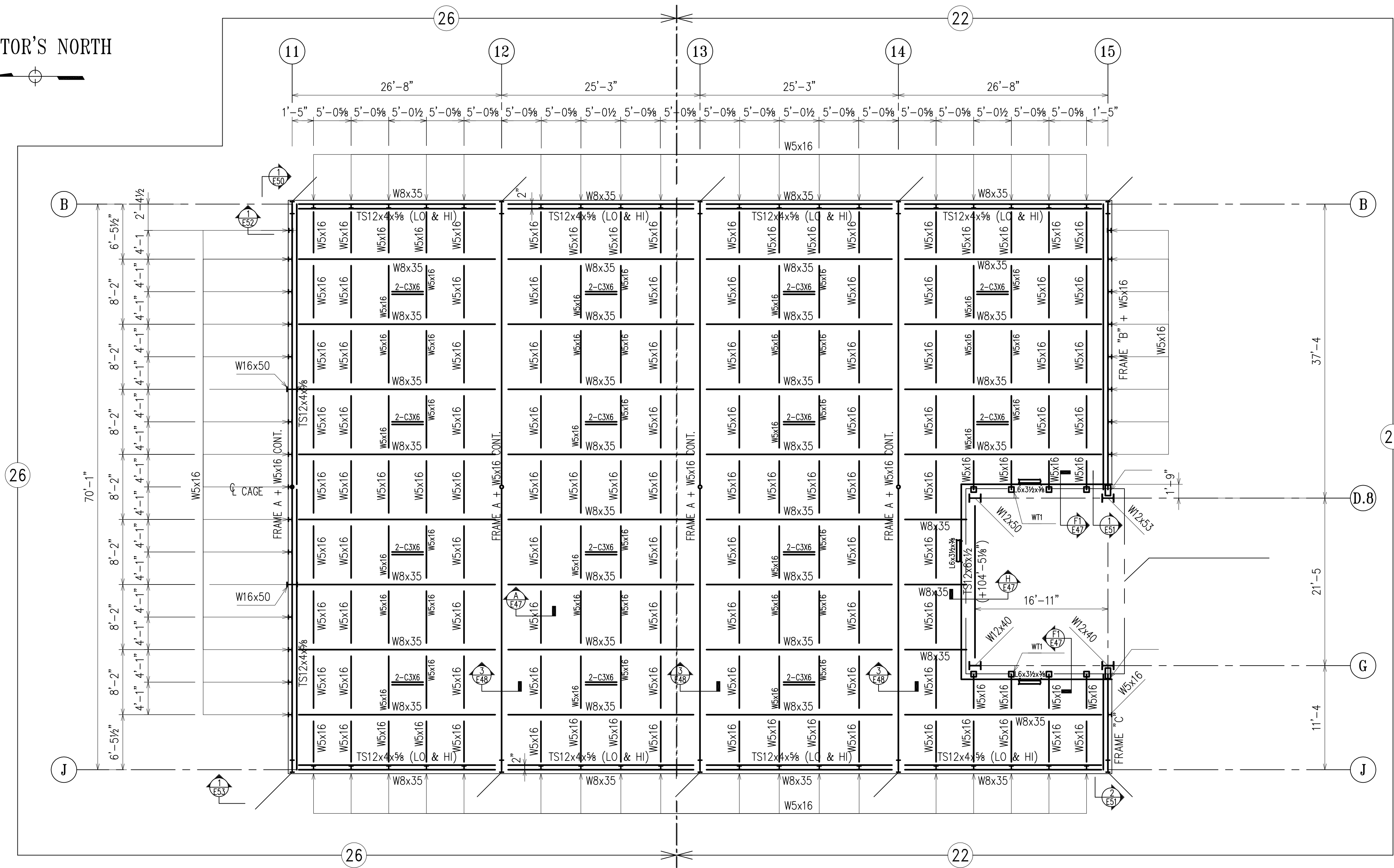
ADOPTED BY THE NATIONAL INSTITUTE OF STEEL DETAILING 1977.

DRAWINGS PREPARED BY:
DIVISION FIVE DETAILING INC.
1770 Gallagher Drive
Vineland, New Jersey 08360
Phone: (856) 794-9474
Fax: (856) 696-2027

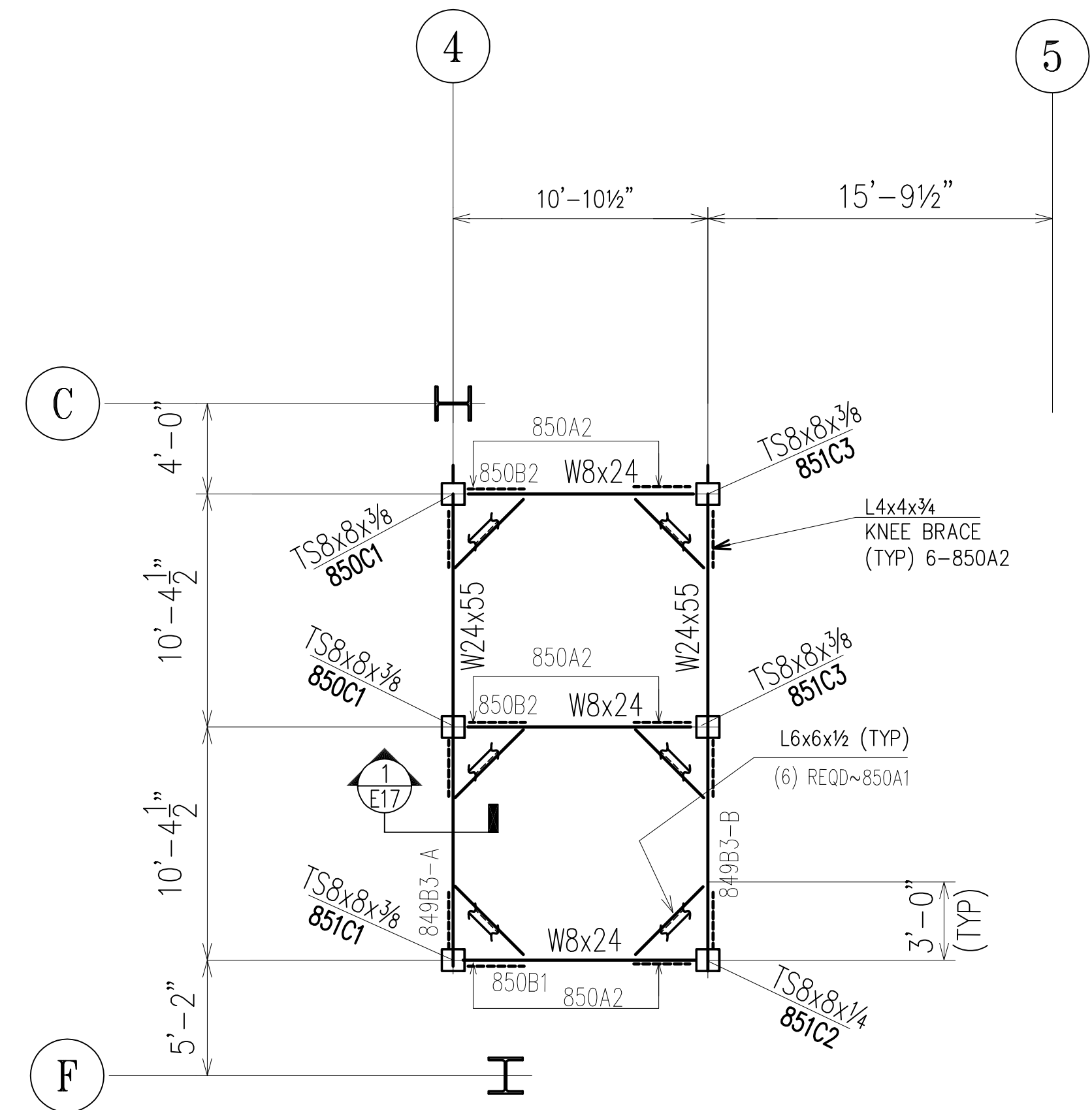
PAIN	NO PAINT U/NOTED	8/14	PER CHECK		
MATERIAL	GR.50 U/NOTED	8/17	PER ADDENDUMS		
HOLES	13/16" U/NOTED	8/8	ADD MARKINGS	12/21	PER ENG.
ELECTRODES	E70XX	7/14	PER APPROVAL	11/14	PER CHECK
TOTAL WEIGHT					
DIAG. REF #					
REVISIONS					

WEIR WELDING CO. INC.					
DRAFTER	YG	LAW ENFORCEMENT SCHOOL		CONTRACT NO	S-616
DATE	4/30/01	NEW YORK, N.Y.		DWG NO	E16
CHECKED	D5				
DATE	9/14/01				

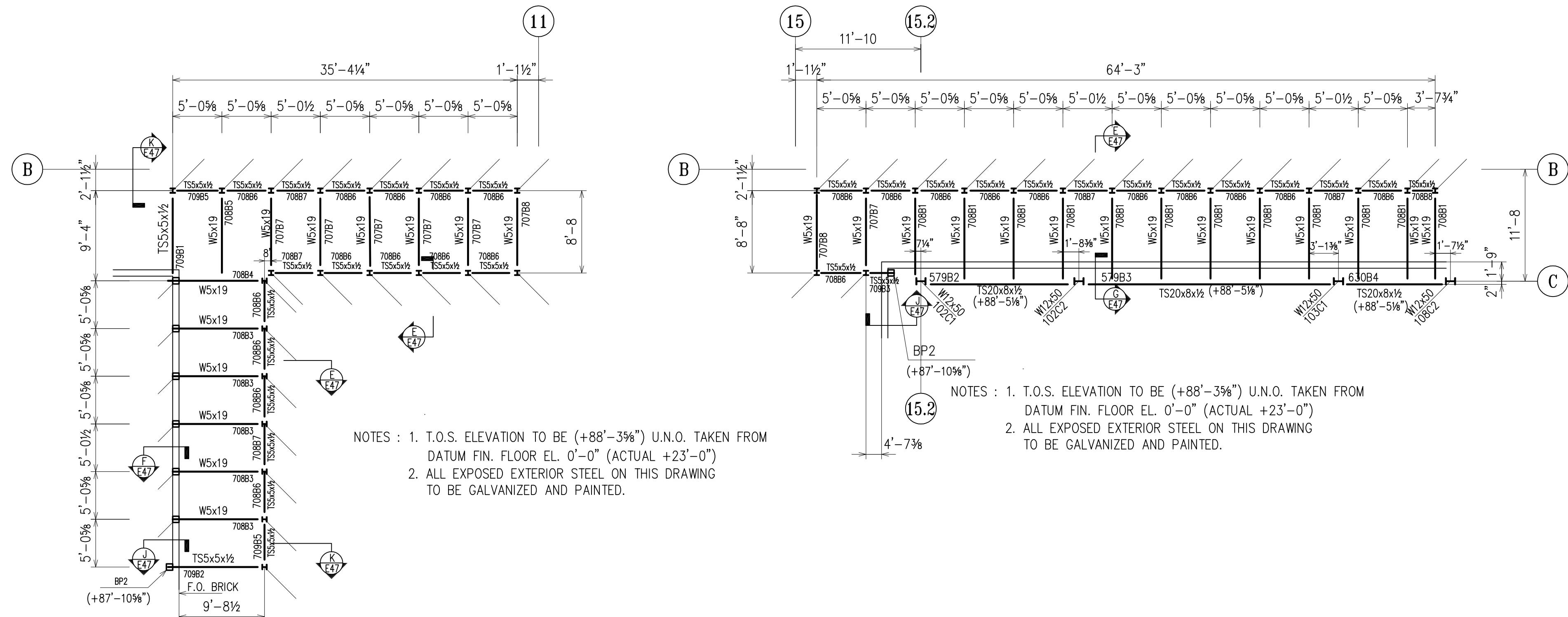
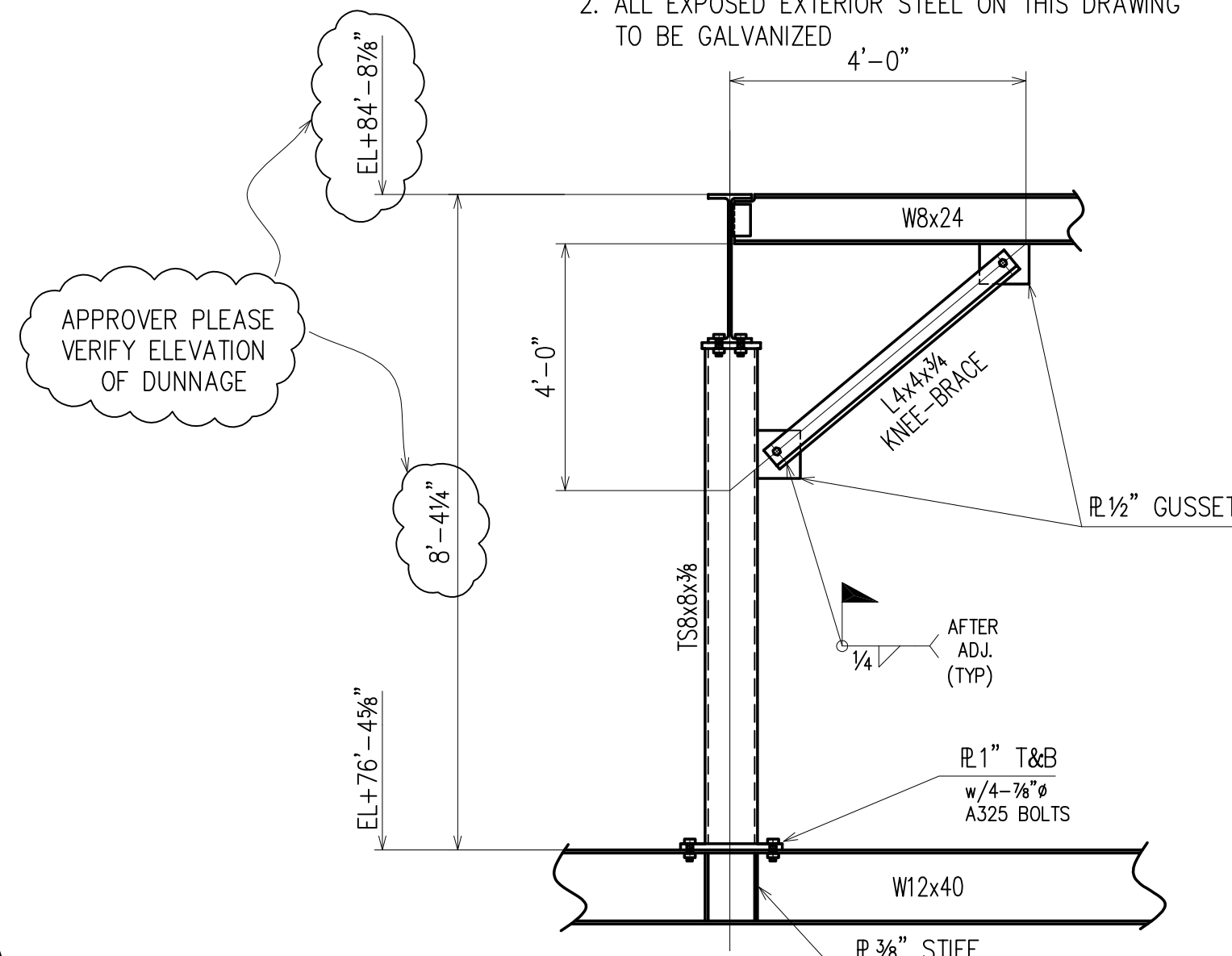
ERECTOR'S NORTH



NOTES : 1. T.O.S. ELEVATION TO BE (+104'-5 1/2") @ T.O. BUILT UP FRAME) U.N.O. TAKEN FROM DATUM FIN. FLOOR EL. 0'-0" (ACTUAL +23'-0")
 2. ALL EXPOSED EXTERIOR STEEL ON THIS DRAWING TO BE GALVANIZED AND PAINTED U.N.O.



NOTES : 1. T.O.S. ELEVATION TO BE (+84'-8 3/4") U.N.O. TAKEN FROM DATUM FIN. FLOOR EL. 0'-0" (ACTUAL +23'-0")
 2. ALL EXPOSED EXTERIOR STEEL ON THIS DRAWING TO BE GALVANIZED



NOTES : 1. T.O.S. ELEVATION TO BE (+88'-3 3/4") U.N.O. TAKEN FROM DATUM FIN. FLOOR EL. 0'-0" (ACTUAL +23'-0")
 2. ALL EXPOSED EXTERIOR STEEL ON THIS DRAWING TO BE GALVANIZED AND PAINTED.

NOTES : 1. T.O.S. ELEVATION TO BE (+88'-3 3/4") U.N.O. TAKEN FROM DATUM FIN. FLOOR EL. 0'-0" (ACTUAL +23'-0")
 2. ALL EXPOSED EXTERIOR STEEL ON THIS DRAWING TO BE GALVANIZED AND PAINTED.

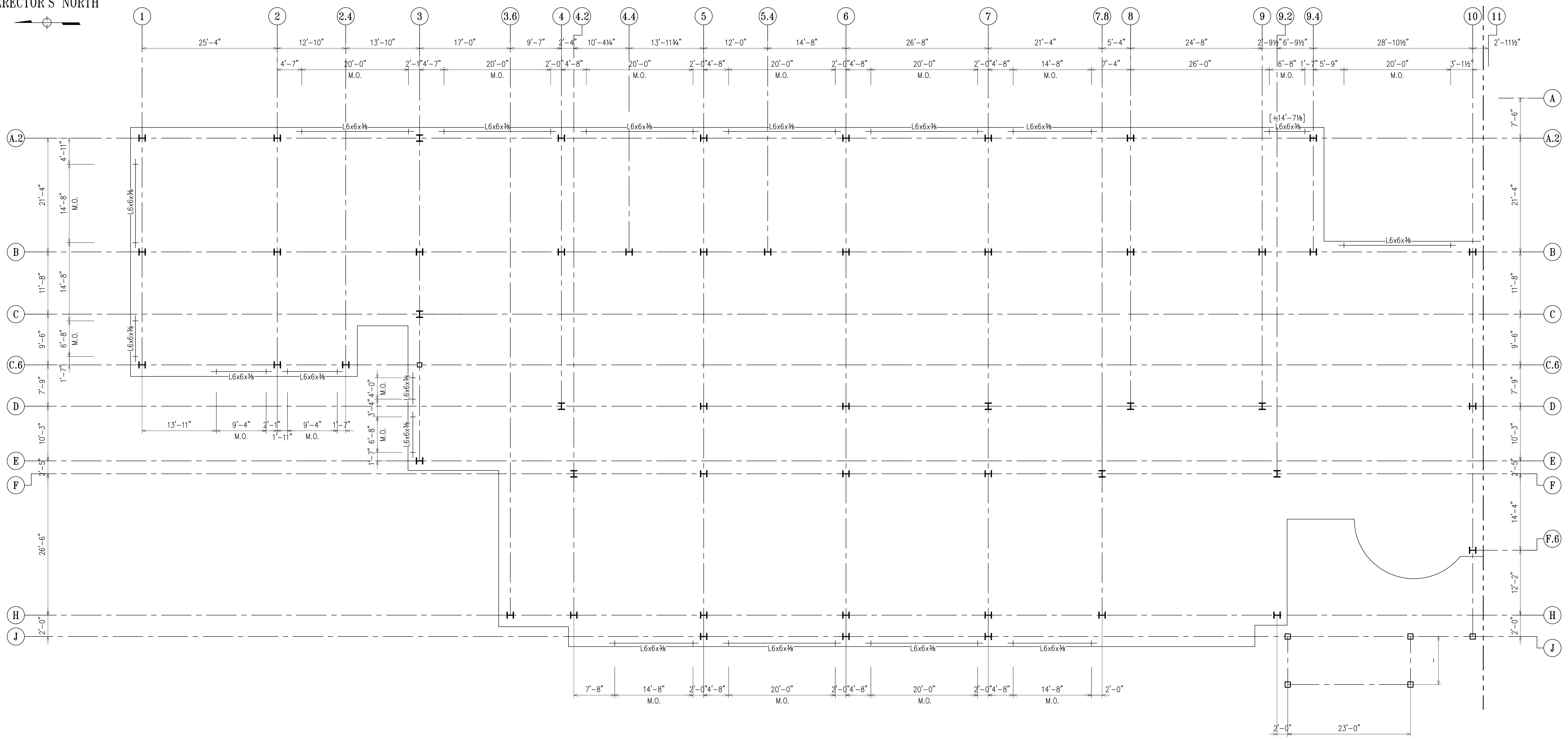
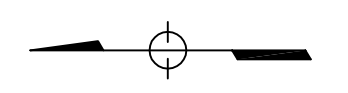
APPROVAL/REVIEW AUTHORITY: PLEASE REVIEW THIS DRAWING CAREFULLY. IT REPRESENTS OUR INTERPRETATION OF THE INTENT OF THE CONTRACT DOCUMENTS. HOWEVER, THE STEEL FABRICATOR AND THE STRUCTURAL STEEL DETAILER ASSUME NO RESPONSIBILITY FOR THE ACCURACY OF THE INFORMATION SHOWN ON THIS DRAWING. THIS IS THE RESPONSIBILITY OF THE BUYER.
 IT WILL BE ASSUMED THAT ALL INFORMATION SHOWN HEREIN HAS THE AFFIRMATION OF THE APPROVAL AUTHORITY UNLESS NOTED TO THE CONTRARY ON THIS DRAWING WHEN IT IS RETURNED FROM APPROVAL.
 SUBSEQUENT CHANGES TO INFORMATION SHOWN ON THESE DRAWINGS AFTER FIRST SUBMISSION WILL BE CONSIDERED AS CONTRACT CHANGES.
 ADOPTED BY THE NATIONAL INSTITUTE OF STEEL DETAILING 1977.

DRAWINGS PREPARED BY:
 DIVISION FIVE DETAILING INC.
 1770 Gallagher Drive
 Vineland, New Jersey 08360
 Phone: (856) 794-9474
 Fax: (856) 696-2027

PAIN	NO PAINT U/NOTED	11/27	REV'D MARKINGS	1/18	DUNNAGE PLAN
MATERIAL	GR.50 U/NOTED	8/17	PER ADDENDUMS	1/9	FOR FIELD USE
HOLES	13/16" U/NOTED	7/30	ADD MARKINGS	12/26	PER CHECK
ELECTRODES	E70XX	7/19	PER APPROVAL		
TOTAL WEIGHT		NO DATE	DESCRIPTION	NO DATE	DESCRIPTION
DIAG. REF #		REVISIONS			

WEIR WELDING CO. INC.
 LAW ENFORCEMENT SCHOOL
 CONTRACT NO. S-616
 DWG NO. E17

ERECTOR'S NORTH



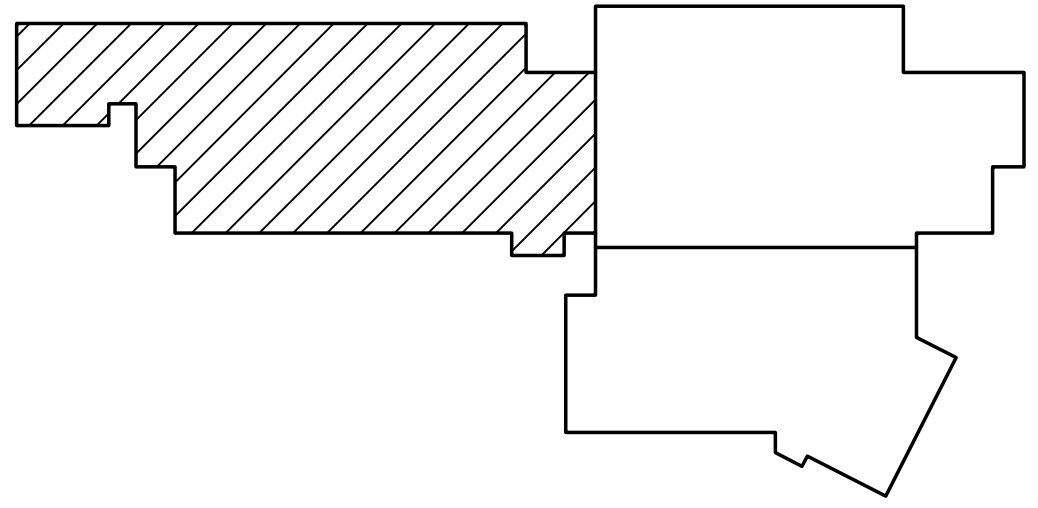
NOTE : BOTTOM OF STEEL ELEVATION TO BE [+10'-4 3/8"] U.N.O.
TAKEN FROM DATUM FIN. FLOOR EL. 0'-0" (ACTUAL +23'-0")

APPROVAL/REVIEW AUTHORITY:
PLEASE REVIEW THIS DRAWING CAREFULLY.
IT REPRESENTS OUR INTERPRETATION OF THE INTENT
OF THE CONTRACT DOCUMENTS. HOWEVER, THE STEEL
FABRICATOR AND THE STRUCTURAL STEEL DETAILER
ASSUME NO RESPONSIBILITY FOR THE ACCURACY OF THE
INFORMATION SHOWN ON THIS DRAWING. THIS IS THE
RESPONSIBILITY OF THE BUYER.

IT WILL BE ASSUMED THAT ALL INFORMATION SHOWN
HEREIN HAS THE AFFIRMATION OF THE APPROVAL
AUTHORITY UNLESS NOTED TO THE CONTRARY ON THIS
DRAWING WHEN IT IS RETURNED FROM APPROVAL.

SUBSEQUENT CHANGES TO INFORMATION SHOWN ON
THESE DRAWINGS AFTER FIRST SUBMISSION WILL BE
CONSIDERED AS CONTRACT CHANGES.

ADOPTED BY THE NATIONAL INSTITUTE OF STEEL DETAILING 1977.

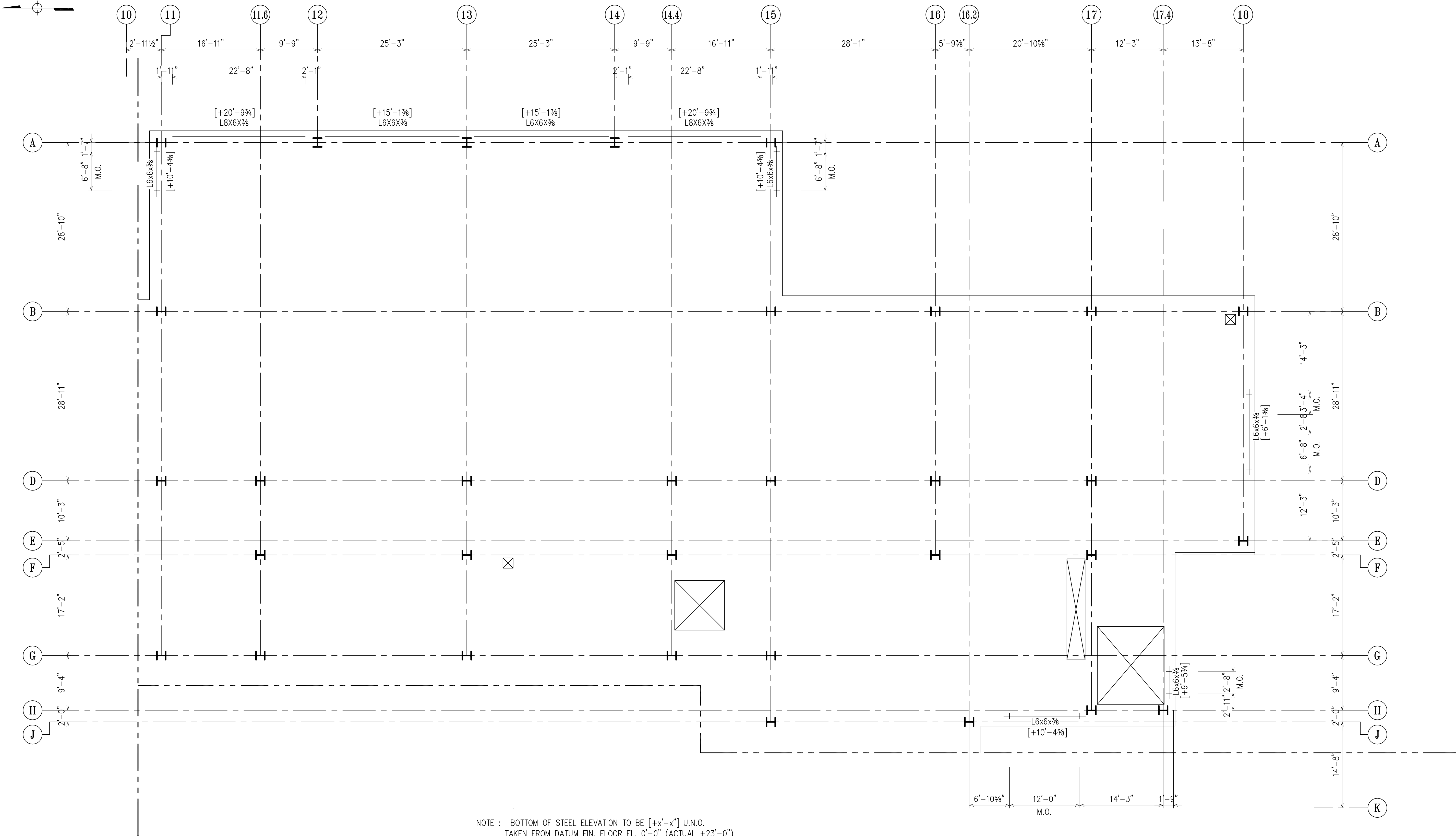


DRAWINGS PREPARED BY:
DIVISION FIVE DETAILING INC.
1770 Gallagher Drive
Vineland, New Jersey 08360
Phone: (856) 794-9474
Fax: (856) 696-2027

PAINT	ONE SHOP COAT U/NOTED				
MATERIAL	GR.50 U/NOTED				
HOLES	13/16" U/NOTED				
ELECTRODES	E70XX	7/23	PER PLAN APPROVAL		
TOTAL WEIGHT		NO	DATE	DESCRIPTION	
DIAG. REF #		REVISIONS			

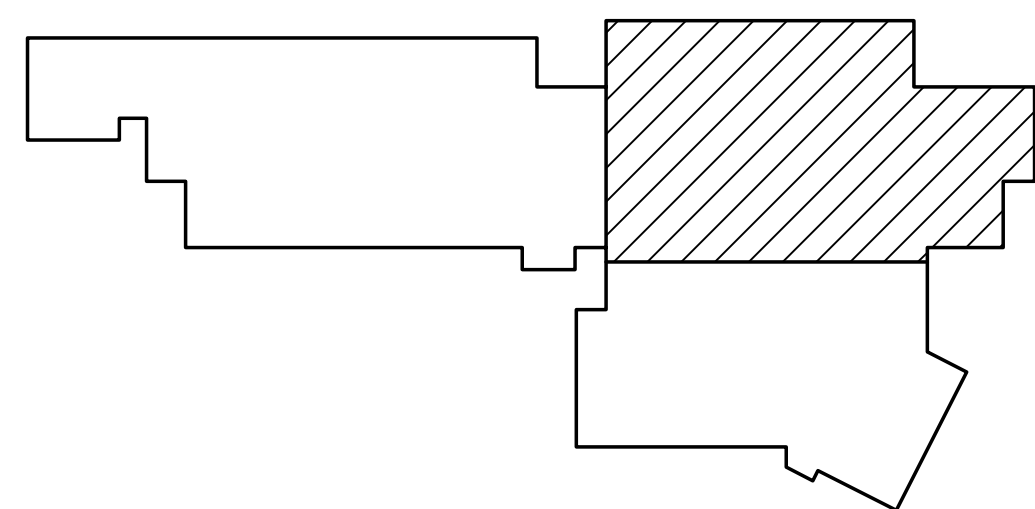
WEIR WELDING CO. INC.			
DRAFTER	YG	LAW ENFORCEMENT SCHOOL	CONTRACT NO
DATE	5/03/01		S-616
CHECKED			DWG NO
DATE			E18

ERECTOR'S NORTH



NOTE : BOTTOM OF STEEL ELEVATION TO BE [+x'-x"] U.N.O.
 TAKEN FROM DATUM FIN. FLOOR EL. 0'-0" (ACTUAL +23'-0")

APPROVAL/REVIEW AUTHORITY:
 PLEASE REVIEW THIS DRAWING CAREFULLY.
 IT REPRESENTS OUR INTERPRETATION OF THE INTENT OF
 THE CONTRACT DOCUMENTS. HOWEVER, THE STEEL
 FABRICATOR AND THE STRUCTURAL STEEL DETAILER
 ASSUME NO RESPONSIBILITY FOR THE ACCURACY OF THE
 INFORMATION SHOWN ON THIS DRAWING. THIS IS THE
 RESPONSIBILITY OF THE BUYER.
 IT WILL BE ASSUMED THAT ALL INFORMATION SHOWN
 HEREIN HAS THE AFFIRMATION OF THE APPROVAL
 AUTHORITY UNLESS NOTED TO THE CONTRARY ON THIS
 DRAWING WHEN IT IS RETURNED FROM APPROVAL.
 SUBSEQUENT CHANGES TO INFORMATION SHOWN ON
 THESE DRAWINGS AFTER FIRST SUBMISSION WILL BE
 CONSIDERED AS CONTRACT CHANGES.
 ADOPTED BY THE NATIONAL INSTITUTE OF STEEL DETAILING 1977.

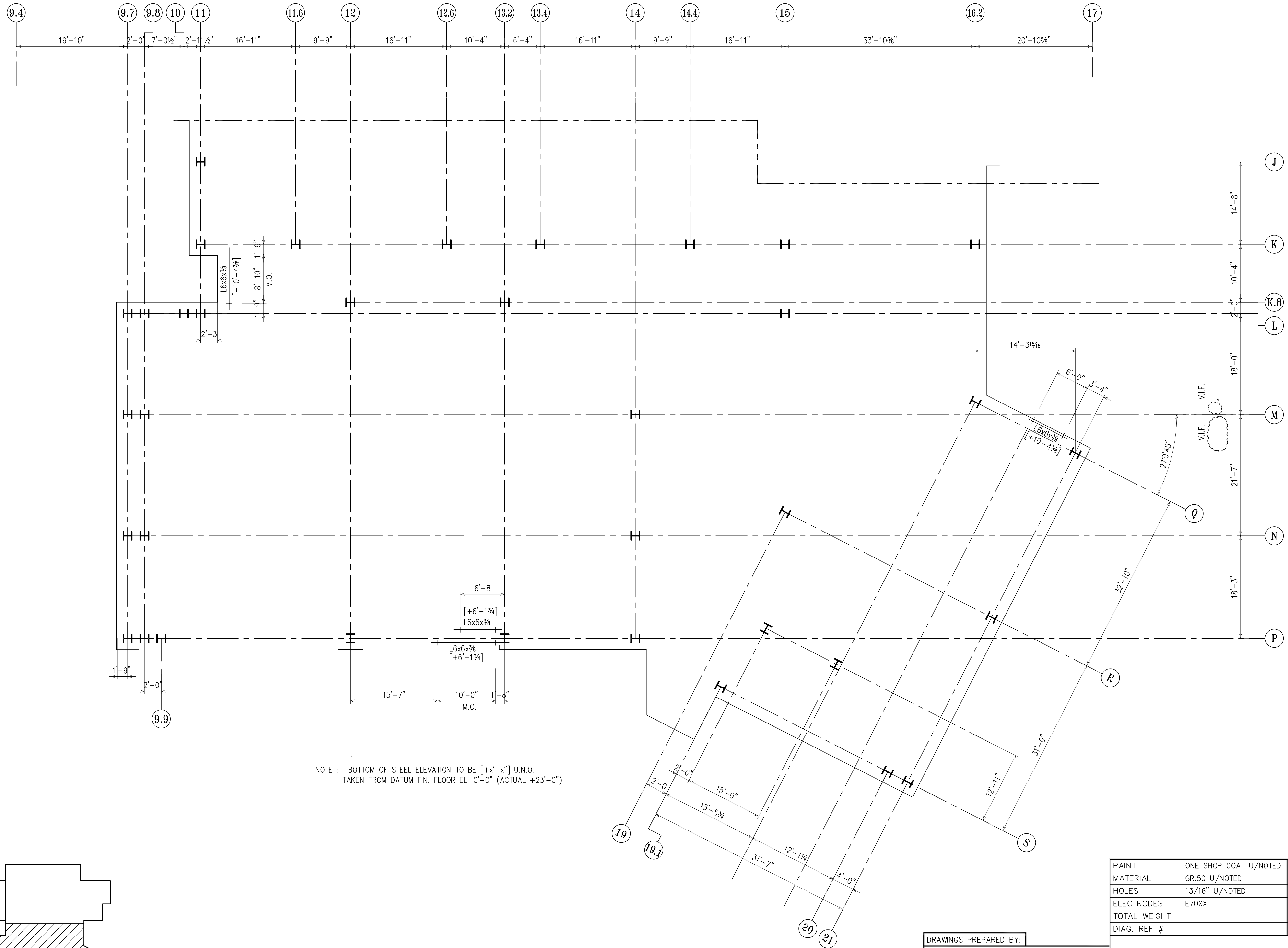
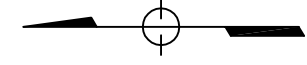


DRAWINGS PREPARED BY:
 DIVISION FIVE DETAILING INC.
 1770 Gallagher Drive
 Vineland, New Jersey 08360
 Phone: (856) 794-9474
 Fax: (856) 696-2027

PAINT	ONE SHOP COAT U/NOTED				
MATERIAL	GR.50 U/NOTED				
HOLES	13/16" U/NOTED				
ELECTRODES	E70XX	7/23	PER APPROVAL		
TOTAL WEIGHT		NO	DATE	DESCRIPTION	
DIAG. REF #		REVISIONS			

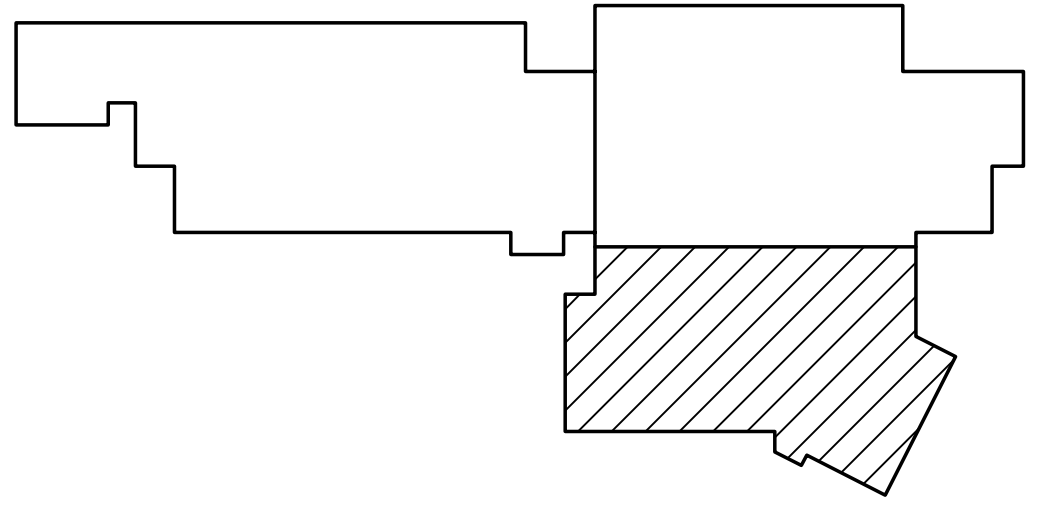
WEIR WELDING CO. INC.			
DRAFTER	YG	LAW ENFORCEMENT SCHOOL	CONTRACT NO
DATE	5/03/01		S-616
CHECKED			DWG NO
DATE			E19

ERECTOR'S NORTH



NOTE : BOTTOM OF STEEL ELEVATION TO BE [+x'-x"] U.N.O.
TAKEN FROM DATUM FIN. FLOOR EL. 0'-0" (ACTUAL +23'-0")

APPROVAL/REVIEW AUTHORITY:
PLEASE REVIEW THIS DRAWING CAREFULLY.
IT REPRESENTS OUR INTERPRETATION OF THE INTENT OF THE CONTRACT DOCUMENTS. HOWEVER, THE STEEL FABRICATOR AND THE STRUCTURAL STEEL DETAILER ASSUME NO RESPONSIBILITY FOR THE ACCURACY OF THE INFORMATION SHOWN ON THIS DRAWING. THIS IS THE RESPONSIBILITY OF THE BUYER.
IT WILL BE ASSUMED THAT ALL INFORMATION SHOWN HEREIN HAS THE AFFIRMATION OF THE APPROVAL AUTHORITY UNLESS NOTED TO THE CONTRARY ON THIS DRAWING WHEN IT IS RETURNED FROM APPROVAL.
SUBSEQUENT CHANGES TO INFORMATION SHOWN ON THESE DRAWINGS AFTER FIRST SUBMISSION WILL BE CONSIDERED AS CONTRACT CHANGES.
ADOPTED BY THE NATIONAL INSTITUTE OF STEEL DETAILING 1977.

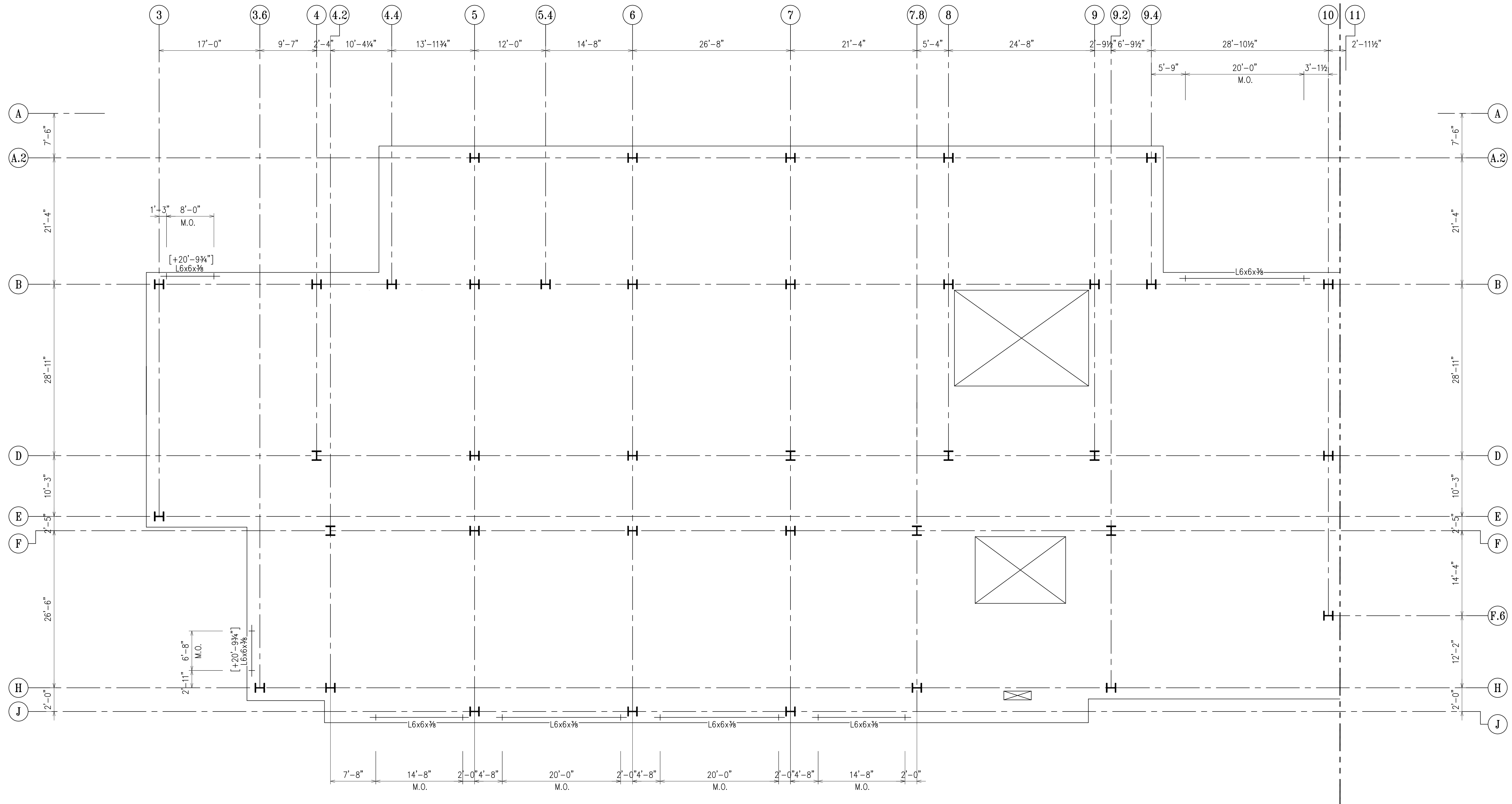
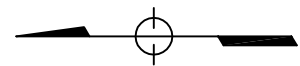


DRAWINGS PREPARED BY:
DIVISION FIVE DETAILING INC.
1770 Gallagher Drive
Vineland, New Jersey 08360
Phone: (856) 794-9474
Fax: (856) 696-2027

PAINT	ONE SHOP COAT U/NOTED				
MATERIAL	GR.50 U/NOTED				
HOLES	13/16" U/NOTED				
ELECTRODES	E70XX	7/23	PER APPROVAL		
TOTAL WEIGHT		NO	DATE	DESCRIPTION	
DIAG. REF #		REVISIONS			

WEIR WELDING CO. INC.		CONTRACT NO	S-616
DRAFTER	YG	LAW ENFORCEMENT SCHOOL	DWG NO
DATE	5/03/01		E20
CHECKED			
DATE			

ERECTOR'S NORTH



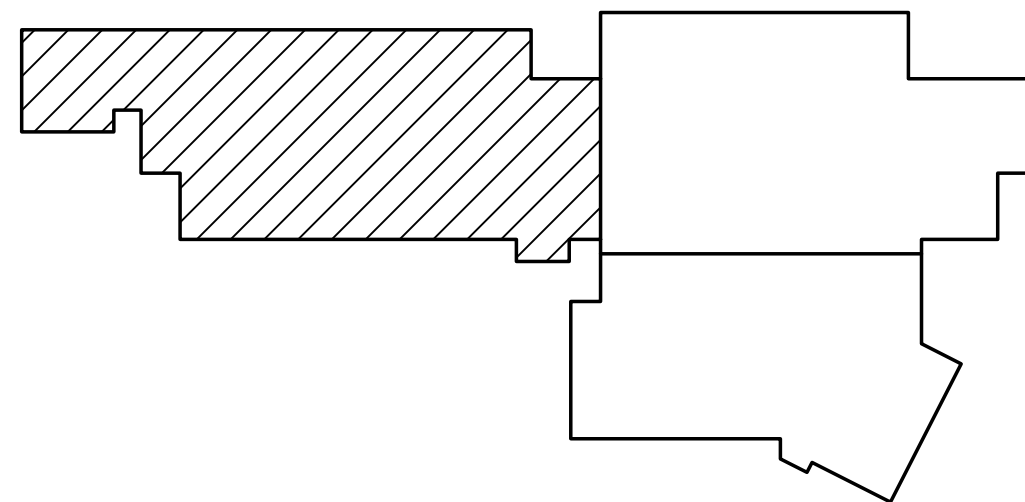
NOTE : BOTTOM OF STEEL ELEVATION TO BE [+25'-5 3/4"] U.N.O.
TAKEN FROM DATUM FIN. FLOOR EL. 0'-0" (ACTUAL +23'-0")

APPROVAL/REVIEW AUTHORITY:
PLEASE REVIEW THIS DRAWING CAREFULLY.
IT REPRESENTS OUR INTERPRETATION OF THE INTENT OF
THE CONTRACT DOCUMENTS. HOWEVER, THE STEEL
FABRICATOR AND THE STRUCTURAL STEEL DETAILER
ASSUME NO RESPONSIBILITY FOR THE ACCURACY OF THE
INFORMATION SHOWN ON THIS DRAWING. THIS IS THE
RESPONSIBILITY OF THE BUYER.

IT WILL BE ASSUMED THAT ALL INFORMATION SHOWN
HEREIN HAS THE AFFIRMATION OF THE APPROVAL
AUTHORITY UNLESS NOTED TO THE CONTRARY ON THIS
DRAWING WHEN IT IS RETURNED FROM APPROVAL.

SUBSEQUENT CHANGES TO INFORMATION SHOWN ON
THESE DRAWINGS AFTER FIRST SUBMISSION WILL BE
CONSIDERED AS CONTRACT CHANGES.

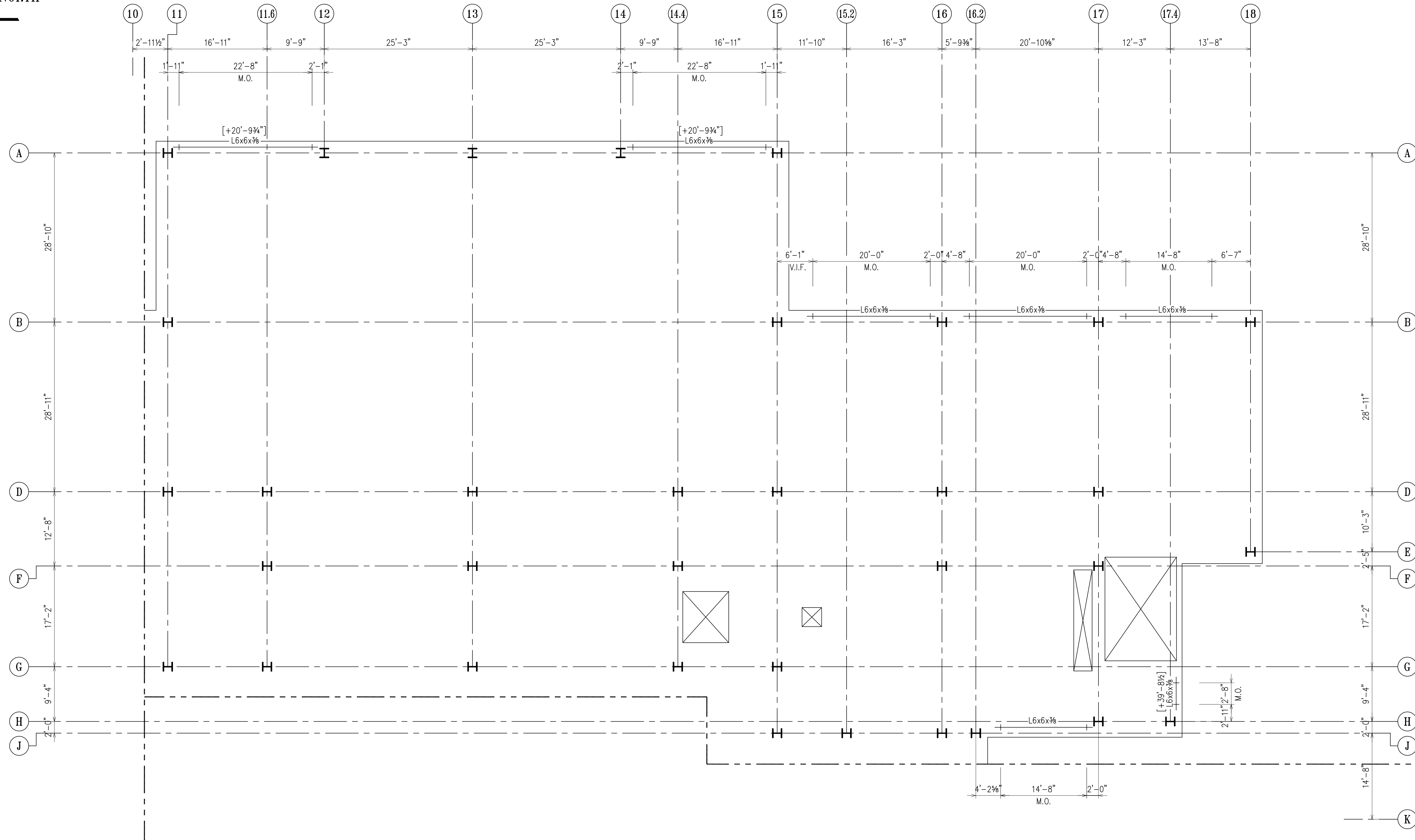
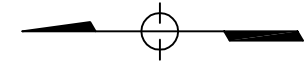
ADOPTED BY THE NATIONAL INSTITUTE OF STEEL DETAILING 1977.



DRAWINGS PREPARED BY:
DIVISION FIVE DETAILING INC.
1770 Gallagher Drive
Vineland, New Jersey 08360
Phone: (856) 794-9474
Fax: (856) 696-2027

PAIN	ONE SHOP COAT U/NOTED				
MATERIAL	GR.50 U/NOTED				
HOLES	13/16" U/NOTED				
ELECTRODES	E70XX	7/23	PER APPROVAL		
TOTAL WEIGHT		NO	DATE	DESCRIPTION	NO
DIAG. REF #		REVISIONS			
WEIR WELDING CO. INC.					
DRAFTER	YG	LAW ENFORCEMENT SCHOOL			CONTRACT NO
DATE	5/03/01				S-616
CHECKED					DWG NO
DATE					E21

ERECTOR'S NORTH



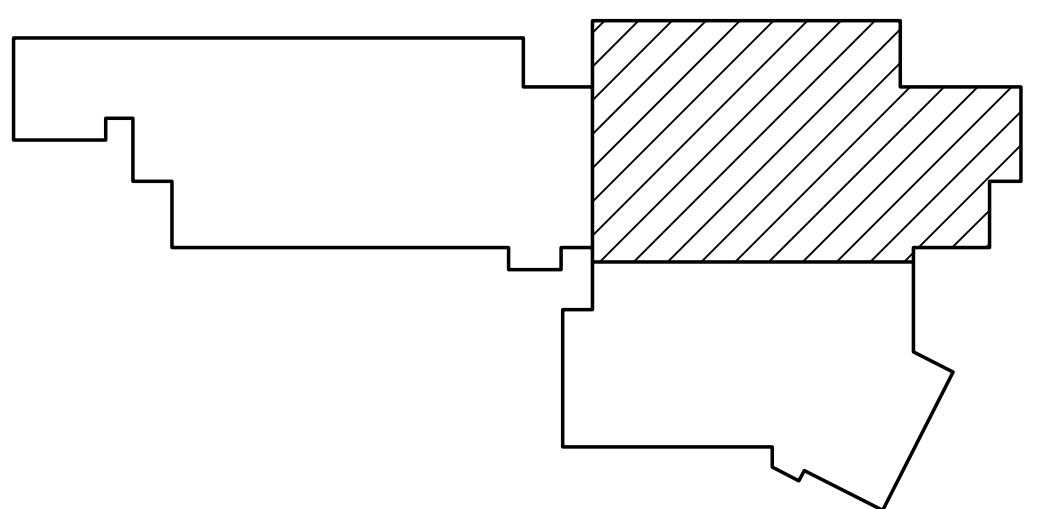
NOTE : BOTTOM OF STEEL ELEVATION TO BE [+25'-5 3/4"] U.N.O.
TAKEN FROM DATUM FIN. FLOOR EL. 0'-0" (ACTUAL +23'-0")

APPROVAL/REVIEW AUTHORITY:
PLEASE REVIEW THIS DRAWING CAREFULLY.
IT REPRESENTS OUR INTERPRETATION OF THE INTENT OF
THE CONTRACT DOCUMENTS. HOWEVER, THE STEEL
FABRICATOR AND THE STRUCTURAL STEEL DETAILER
ASSUME NO RESPONSIBILITY FOR THE ACCURACY OF THE
INFORMATION SHOWN ON THIS DRAWING. THIS IS THE
RESPONSIBILITY OF THE BUYER.

IT WILL BE ASSUMED THAT ALL INFORMATION SHOWN
HEREIN HAS THE AFFIRMATION OF THE APPROVAL
AUTHORITY UNLESS NOTED TO THE CONTRARY ON THIS
DRAWING WHEN IT IS RETURNED FROM APPROVAL.

SUBSEQUENT CHANGES TO INFORMATION SHOWN ON
THESE DRAWINGS AFTER FIRST SUBMISSION WILL BE
CONSIDERED AS CONTRACT CHANGES.

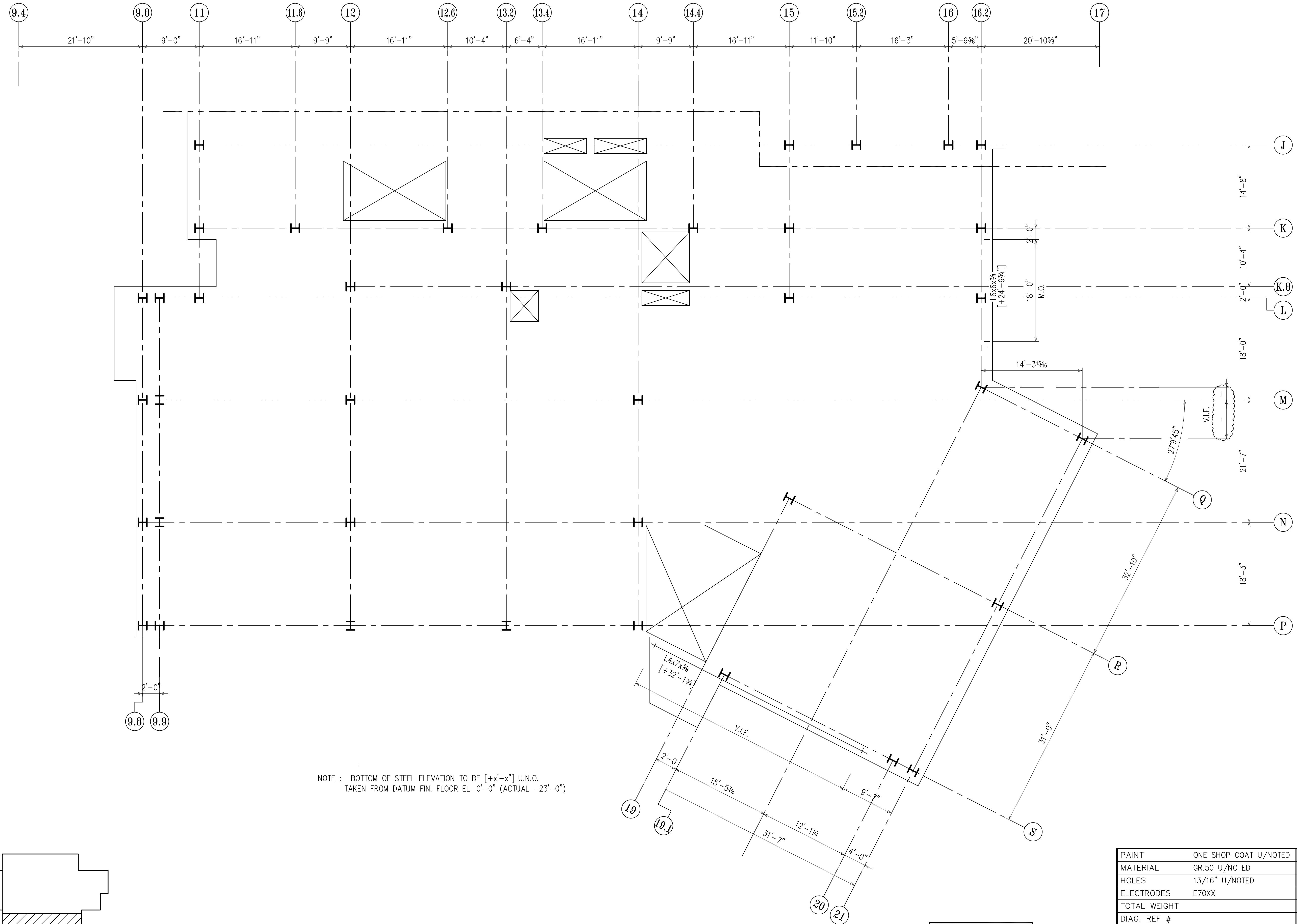
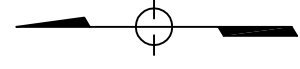
ADOPTED BY THE NATIONAL INSTITUTE OF STEEL DETAILING 1977.



DRAWINGS PREPARED BY:
DIVISION FIVE DETAILING INC.
1770 Gallagher Drive
Vineland, New Jersey 08360
Phone: (856) 794-9474
Fax: (856) 696-2027

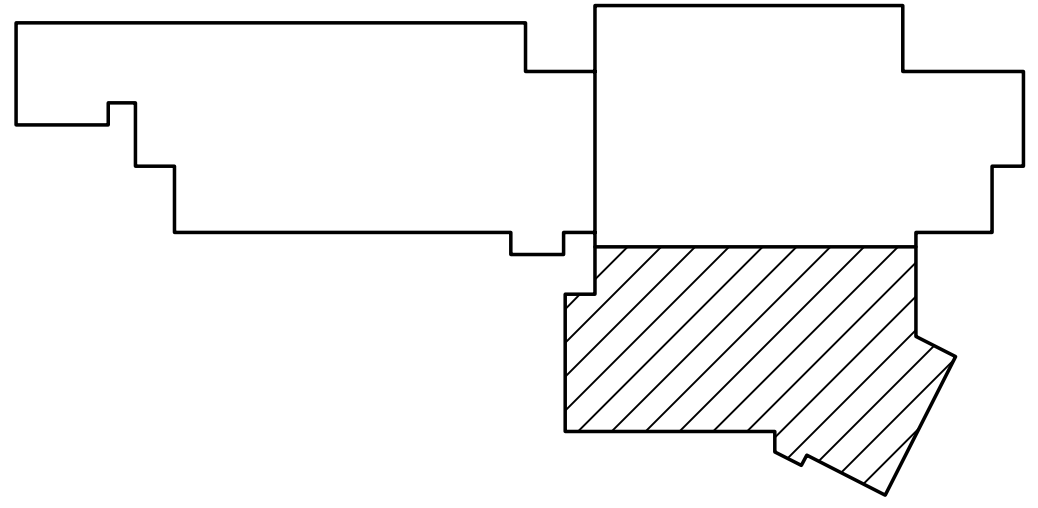
PAIN	ONE SHOP COAT U/NOTED				
MATERIAL	GR.50 U/NOTED				
HOLES	13/16" U/NOTED				
ELECTRODES	E70XX	7/23	PER APPROVAL		
TOTAL WEIGHT		NO	DATE	DESCRIPTION	
DIAG. REF #		REVISIONS			
WEIR WELDING CO. INC.					
DRAFTER	YG	LAW ENFORCEMENT SCHOOL			CONTRACT NO
DATE	5/03/01				S-616
CHECKED					DWG NO
DATE					E22

ERECTOR'S NORTH



NOTE : BOTTOM OF STEEL ELEVATION TO BE [+x'-x"] U.N.O.
TAKEN FROM DATUM FIN. FLOOR EL. 0'-0" (ACTUAL +23'-0")

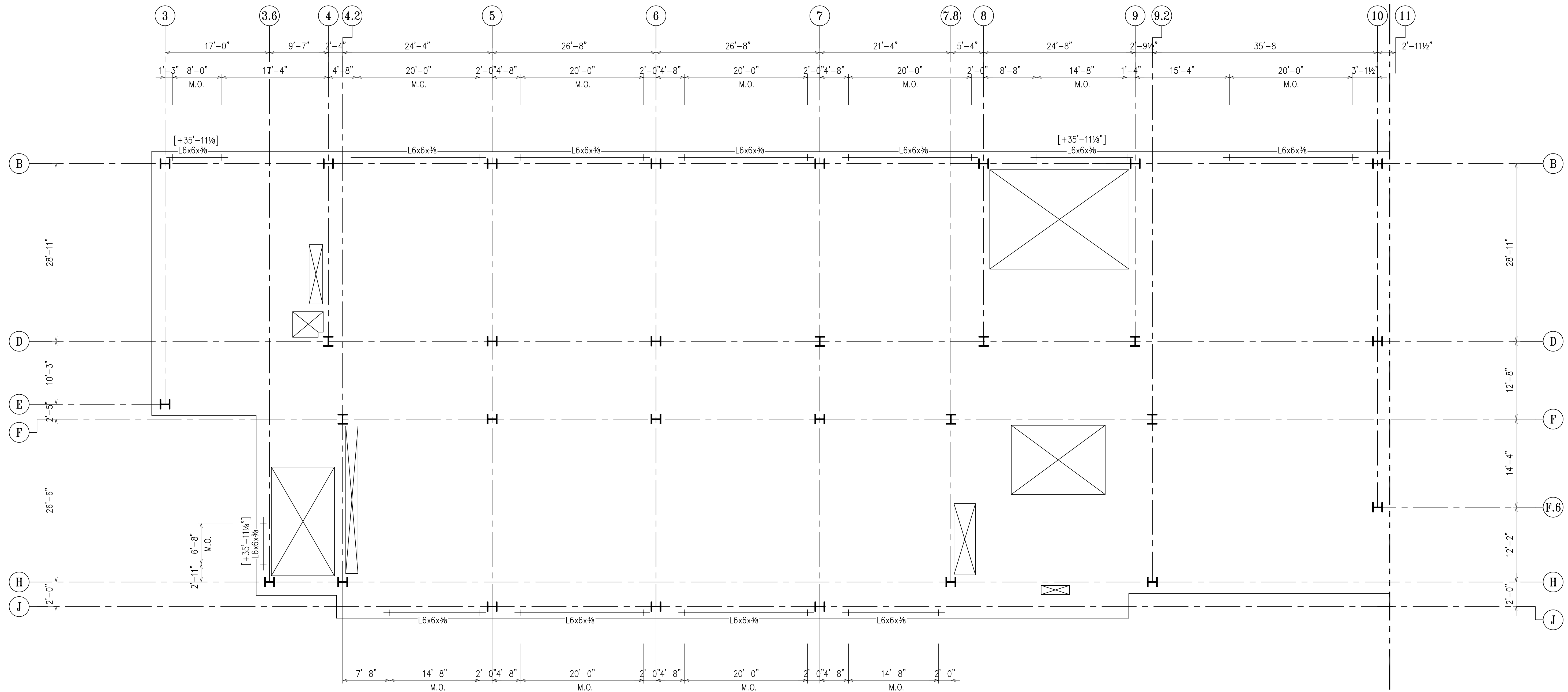
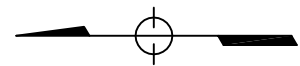
APPROVAL/REVIEW AUTHORITY:
PLEASE REVIEW THIS DRAWING CAREFULLY.
IT REPRESENTS OUR INTERPRETATION OF THE INTENT OF
THE CONTRACT DOCUMENTS. HOWEVER, THE STEEL
FABRICATOR AND THE STRUCTURAL STEEL DETAILER
ASSUME NO RESPONSIBILITY FOR THE ACCURACY OF THE
INFORMATION SHOWN ON THIS DRAWING. THIS IS THE
RESPONSIBILITY OF THE BUYER.
IT WILL BE ASSUMED THAT ALL INFORMATION SHOWN
HEREIN HAS THE AFFIRMATION OF THE APPROVAL
AUTHORITY UNLESS NOTED TO THE CONTRARY ON THIS
DRAWING WHEN IT IS RETURNED FROM APPROVAL.
SUBSEQUENT CHANGES TO INFORMATION SHOWN ON
THESE DRAWINGS AFTER FIRST SUBMISSION WILL BE
CONSIDERED AS CONTRACT CHANGES.
ADOPTED BY THE NATIONAL INSTITUTE OF STEEL DETAILING 1977.



DRAWINGS PREPARED BY:
DIVISION FIVE DETAILING INC.
1770 Gallagher Drive
Vineland, New Jersey 08360
Phone: (856) 794-9474
Fax: (856) 696-2027

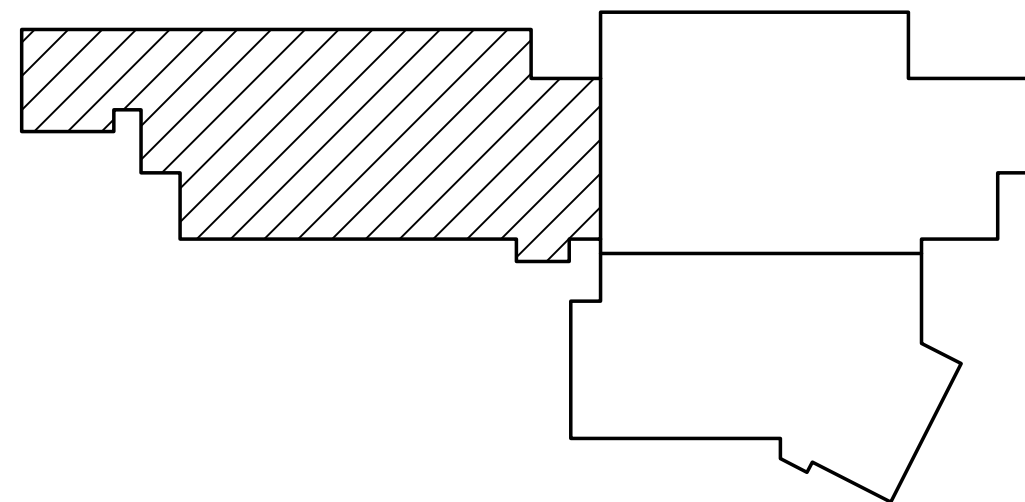
PAINT	ONE SHOP COAT U/NOTED				
MATERIAL	GR.50 U/NOTED				
HOLES	13/16" U/NOTED				
ELECTRODES	E70XX	7/23	PER APPROVAL		
TOTAL WEIGHT		NO	DATE	DESCRIPTION	
DIAG. REF #		REVISIONS			

DRAWINGS PREPARED BY:		WEIR WELDING CO. INC.			
DRAFTER	YG	LAW ENFORCEMENT SCHOOL		CONTRACT NO	S-616
DATE	5/04/01			DWG NO	E23
CHECKED					
DATE					



NOTE : BOTTOM OF STEEL ELEVATION TO BE [+40'-7 1/8"] U.N.O.
 TAKEN FROM DATUM FIN. FLOOR EL. 0'-0" (ACTUAL +23'-0")

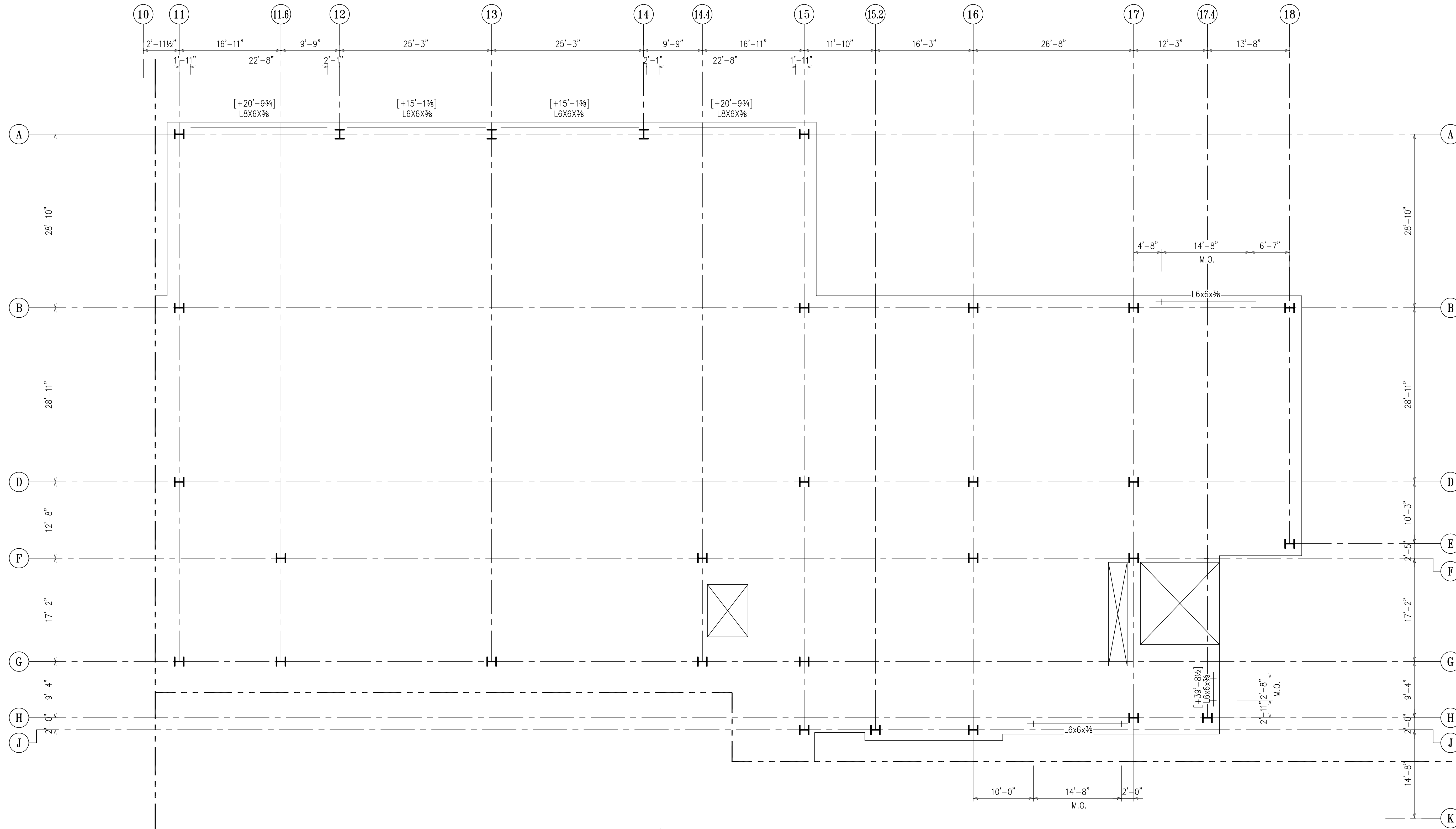
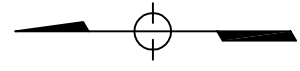
APPROVAL/REVIEW AUTHORITY:
 PLEASE REVIEW THIS DRAWING CAREFULLY.
 IT REPRESENTS OUR INTERPRETATION OF THE INTENT OF
 THE CONTRACT DOCUMENTS. HOWEVER, THE STEEL
 FABRICATOR AND THE STRUCTURAL STEEL DETAILER
 ASSUME NO RESPONSIBILITY FOR THE ACCURACY OF THE
 INFORMATION SHOWN ON THIS DRAWING. THIS IS THE
 RESPONSIBILITY OF THE BUYER.
 IT WILL BE ASSUMED THAT ALL INFORMATION SHOWN
 HEREIN HAS THE AFFIRMATION OF THE APPROVAL
 AUTHORITY UNLESS NOTED TO THE CONTRARY ON THIS
 DRAWING WHEN IT IS RETURNED FROM APPROVAL.
 SUBSEQUENT CHANGES TO INFORMATION SHOWN ON
 THESE DRAWINGS AFTER FIRST SUBMISSION WILL BE
 CONSIDERED AS CONTRACT CHANGES.
 ADOPTED BY THE NATIONAL INSTITUTE OF STEEL DETAILING 1977.



DRAWINGS PREPARED BY:
 DIVISION FIVE DETAILING INC.
 1770 Gallagher Drive
 Vineland, New Jersey 08360
 Phone: (856) 794-9474
 Fax: (856) 696-2027

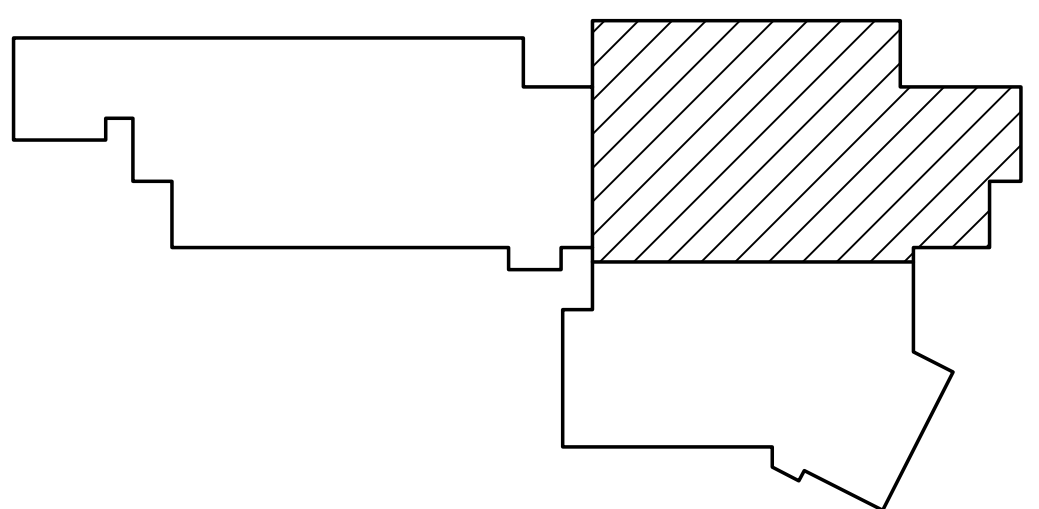
PAIN	ONE SHOP COAT U/NOTED				
MATERIAL	GR.50 U/NOTED				
HOLES	13/16" U/NOTED				
ELECTRODES	E70XX	7/23	PER APPROVAL		
TOTAL WEIGHT		NO	DATE	DESCRIPTION	NO
DIAG. REF #		REVISIONS			
WEIR WELDING CO. INC.					
DRAFTER	YG	LAW ENFORCEMENT SCHOOL			CONTRACT NO
DATE	4/04/01				S-616
CHECKED					DWG NO
DATE					E24

ERECTOR'S NORTH



NOTE : BOTTOM OF STEEL ELEVATION TO BE [+40'-7 1/8\"] U.N.O.
 TAKEN FROM DATUM FIN. FLOOR EL. 0'-0" (ACTUAL +23'-0")

APPROVAL/REVIEW AUTHORITY:
 PLEASE REVIEW THIS DRAWING CAREFULLY.
 IT REPRESENTS OUR INTERPRETATION OF THE INTENT OF
 THE CONTRACT DOCUMENTS. HOWEVER, THE STEEL
 FABRICATOR AND THE STRUCTURAL STEEL DETAILER
 ASSUME NO RESPONSIBILITY FOR THE ACCURACY OF THE
 INFORMATION SHOWN ON THIS DRAWING. THIS IS THE
 RESPONSIBILITY OF THE BUYER.
 IT WILL BE ASSUMED THAT ALL INFORMATION SHOWN
 HEREIN HAS THE AFFIRMATION OF THE APPROVAL
 AUTHORITY UNLESS NOTED TO THE CONTRARY ON THIS
 DRAWING WHEN IT IS RETURNED FROM APPROVAL.
 SUBSEQUENT CHANGES TO INFORMATION SHOWN ON
 THESE DRAWINGS AFTER FIRST SUBMISSION WILL BE
 CONSIDERED AS CONTRACT CHANGES.
 ADOPTED BY THE NATIONAL INSTITUTE OF STEEL DETAILING 1977.

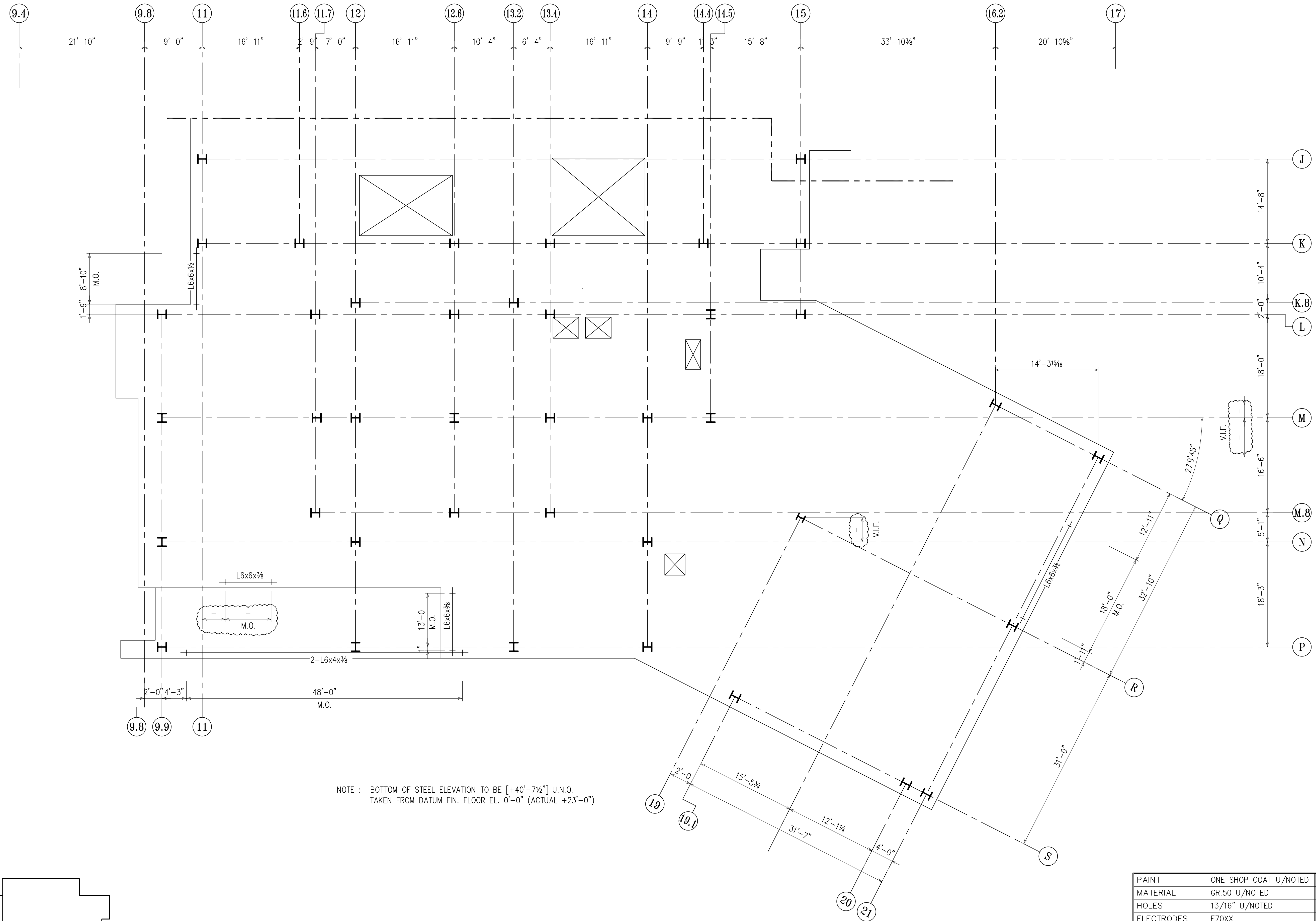
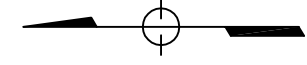


DRAWINGS PREPARED BY:
 DIVISION FIVE DETAILING INC.
 1770 Gallagher Drive
 Vineland, New Jersey 08360
 Phone: (856) 794-9474
 Fax: (856) 696-2027

PAIN	ONE SHOP COAT U/NOTED				
MATERIAL	GR.50 U/NOTED				
HOLES	13/16" U/NOTED				
ELECTRODES	E70XX	7/23	PER APPROVAL		
TOTAL WEIGHT		NO	DATE	DESCRIPTION	NO
DIAG. REF #		REVISIONS			

DRAWINGS PREPARED BY:		WEIR WELDING CO. INC.	
DIVISION FIVE DETAILING INC.		LAW ENFORCEMENT SCHOOL	
1770 Gallagher Drive		CONTRACT NO	
Vineland, New Jersey 08360		S-616	
Phone: (856) 794-9474		DWG NO	
Fax: (856) 696-2027		E25	

ERECTOR'S NORTH



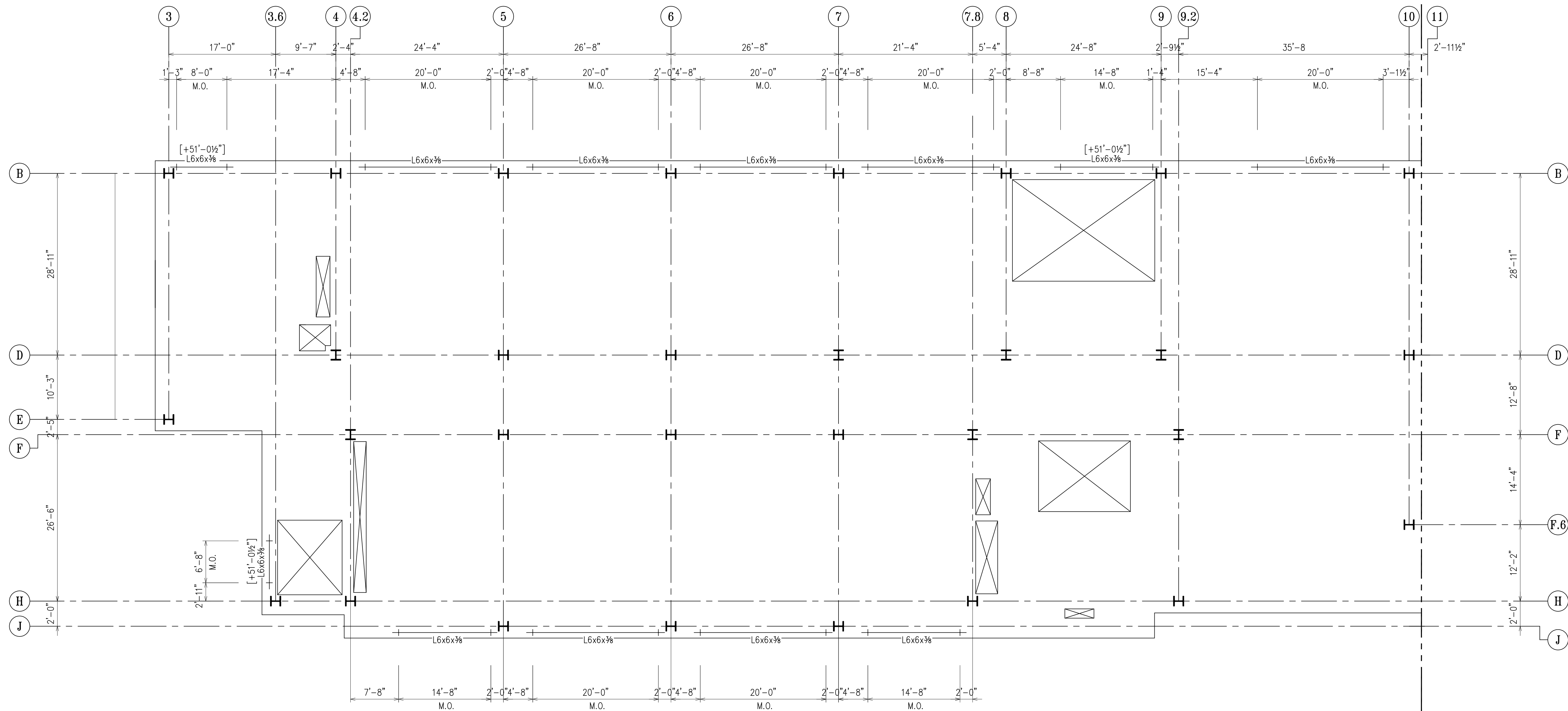
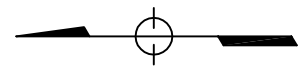
NOTE : BOTTOM OF STEEL ELEVATION TO BE [+40'-7 1/2"] U.N.O.
TAKEN FROM DATUM FIN. FLOOR EL. 0'-0" (ACTUAL +23'-0")

APPROVAL/REVIEW AUTHORITY:
PLEASE REVIEW THIS DRAWING CAREFULLY.
IT REPRESENTS OUR INTERPRETATION OF THE INTENT OF
THE CONTRACT DOCUMENTS. HOWEVER, THE STEEL
FABRICATOR AND THE STRUCTURAL STEEL DETAILER
ASSUME NO RESPONSIBILITY FOR THE ACCURACY OF THE
INFORMATION SHOWN ON THIS DRAWING. THIS IS THE
RESPONSIBILITY OF THE BUYER.
IT WILL BE ASSUMED THAT ALL INFORMATION SHOWN
HEREIN HAS THE AFFIRMATION OF THE APPROVAL
AUTHORITY UNLESS NOTED TO THE CONTRARY ON THIS
DRAWING WHEN IT IS RETURNED FROM APPROVAL.
SUBSEQUENT CHANGES TO INFORMATION SHOWN ON
THESE DRAWINGS AFTER FIRST SUBMISSION WILL BE
CONSIDERED AS CONTRACT CHANGES.
ADOPTED BY THE NATIONAL INSTITUTE OF STEEL DETAILING 1977.

PAIN	ONE SHOP COAT U/NOTED				
MATERIAL	GR.50 U/NOTED				
HOLES	13/16" U/NOTED				
ELECTRODES	E70XX	7/23	PER APPROVAL		
TOTAL WEIGHT		NO	DATE	DESCRIPTION	
DIAG. REF #		REVISIONS			

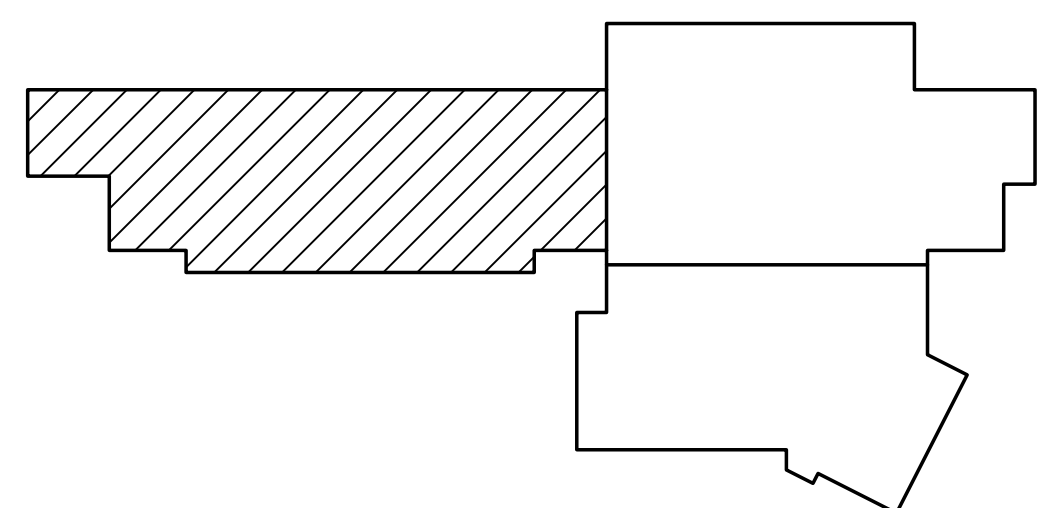
DRAWINGS PREPARED BY:
DIVISION FIVE DETAILING INC.
1770 Gallagher Drive
Vineland, New Jersey 08360
Phone: (856) 794-9474
Fax: (856) 696-2027

WEIR WELDING CO. INC.		CONTRACT NO	S-616
DRAFTER YG	LAW ENFORCEMENT SCHOOL	DWG NO	E26
DATE	5/05/01		
CHECKED			
DATE			



NOTE : BOTTOM OF STEEL ELEVATION TO BE [+55'-8 1/2"] U.N.O.
 TAKEN FROM DATUM FIN. FLOOR EL. 0'-0" (ACTUAL +23'-0")

APPROVAL/REVIEW AUTHORITY:
 PLEASE REVIEW THIS DRAWING CAREFULLY.
 IT REPRESENTS OUR INTERPRETATION OF THE INTENT OF THE CONTRACT DOCUMENTS. HOWEVER, THE STEEL FABRICATOR AND THE STRUCTURAL STEEL DETAILER ASSUME NO RESPONSIBILITY FOR THE ACCURACY OF THE INFORMATION SHOWN ON THIS DRAWING. THIS IS THE RESPONSIBILITY OF THE BUYER.
 IT WILL BE ASSUMED THAT ALL INFORMATION SHOWN HEREIN HAS THE AFFIRMATION OF THE APPROVAL AUTHORITY UNLESS NOTED TO THE CONTRARY ON THIS DRAWING WHEN IT IS RETURNED FROM APPROVAL.
 SUBSEQUENT CHANGES TO INFORMATION SHOWN ON THESE DRAWINGS AFTER FIRST SUBMISSION WILL BE CONSIDERED AS CONTRACT CHANGES.
 ADOPTED BY THE NATIONAL INSTITUTE OF STEEL DETAILING 1977.

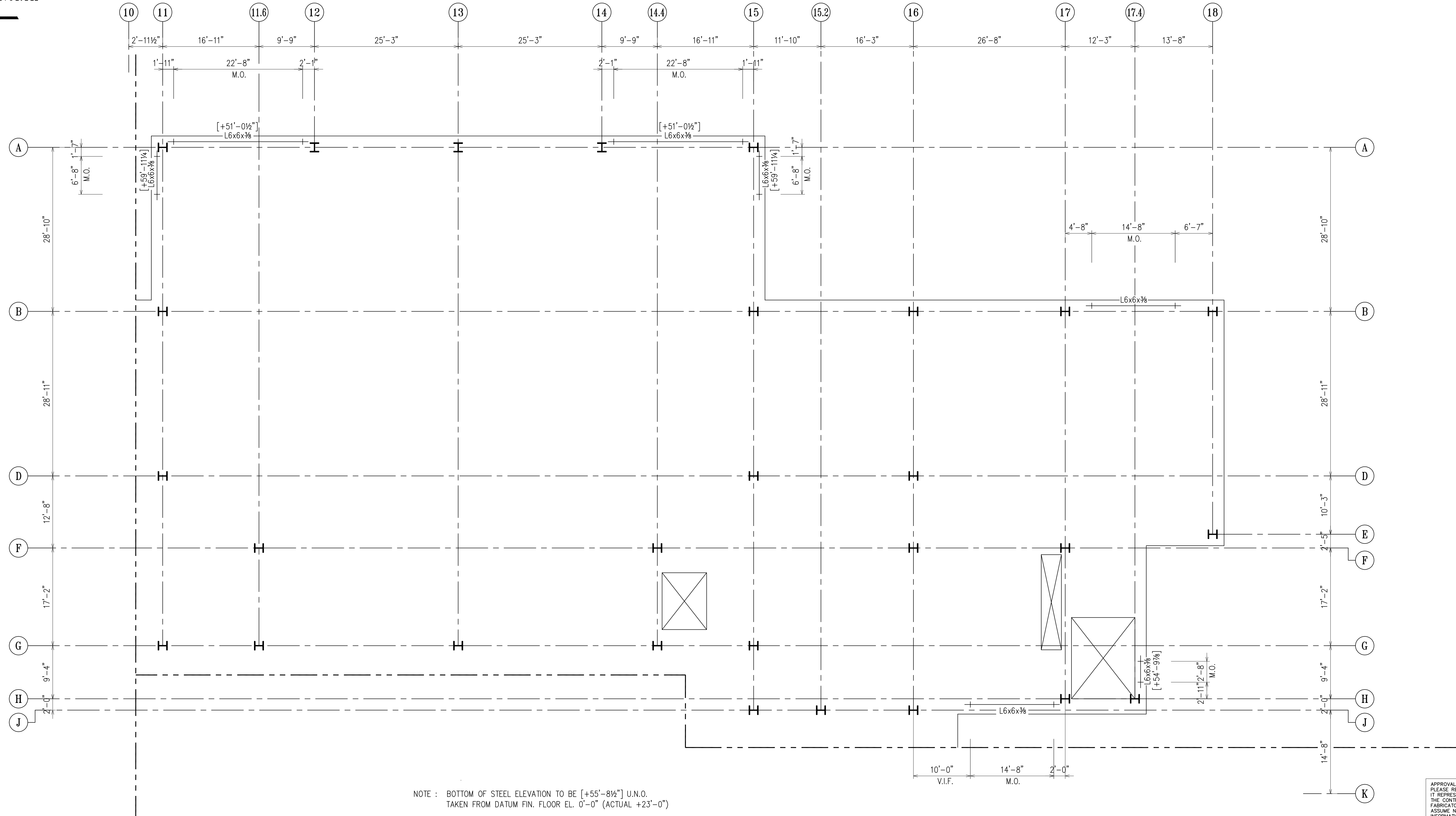
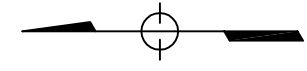


DRAWINGS PREPARED BY:
 DIVISION FIVE DETAILING INC.
 1770 Gallagher Drive
 Vineland, New Jersey 08360
 Phone: (856) 794-9474
 Fax: (856) 696-2027

PAIN	ONE SHOP COAT U/NOTED				
MATERIAL	GR.50 U/NOTED				
HOLES	13/16" U/NOTED				
ELECTRODES	E70XX	7/23	PER APPROVAL		
TOTAL WEIGHT		NO	DATE	DESCRIPTION	
DIAG. REF #		REVISIONS			

DRAWINGS PREPARED BY:		WEIR WELDING CO. INC.	
DIVISION FIVE DETAILING INC.		LAW ENFORCEMENT SCHOOL	
1770 Gallagher Drive			
Vineland, New Jersey 08360		CONTRACT NO	
Phone: (856) 794-9474		S-616	
Fax: (856) 696-2027		DWG NO	
		E27	

ERECTOR'S NORTH



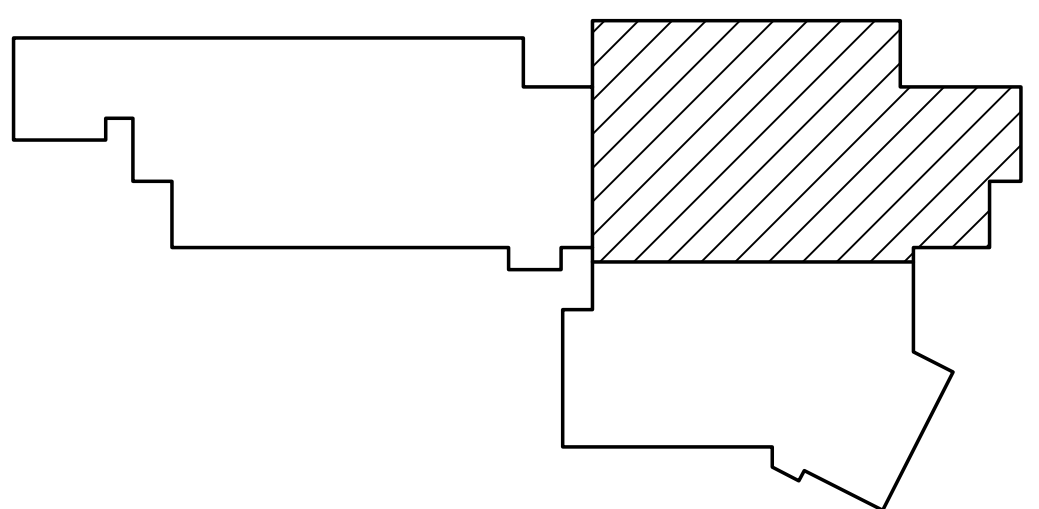
NOTE : BOTTOM OF STEEL ELEVATION TO BE [+55'-8 1/2"] U.N.O.
TAKEN FROM DATUM FIN. FLOOR EL. 0'-0" (ACTUAL +23'-0")

APPROVAL/REVIEW AUTHORITY:
PLEASE REVIEW THIS DRAWING CAREFULLY.
IT REPRESENTS OUR INTERPRETATION OF THE INTENT OF
THE CONTRACT DOCUMENTS. HOWEVER, THE STEEL
FABRICATOR AND THE STRUCTURAL STEEL DETAILER
ASSUME NO RESPONSIBILITY FOR THE ACCURACY OF THE
INFORMATION SHOWN ON THIS DRAWING. THIS IS THE
RESPONSIBILITY OF THE BUYER.

IT WILL BE ASSUMED THAT ALL INFORMATION SHOWN
HEREIN HAS THE AFFIRMATION OF THE APPROVAL
AUTHORITY UNLESS NOTED TO THE CONTRARY ON THIS
DRAWING WHEN IT IS RETURNED FROM APPROVAL.

SUBSEQUENT CHANGES TO INFORMATION SHOWN ON
THESE DRAWINGS AFTER FIRST SUBMISSION WILL BE
CONSIDERED AS CONTRACT CHANGES.

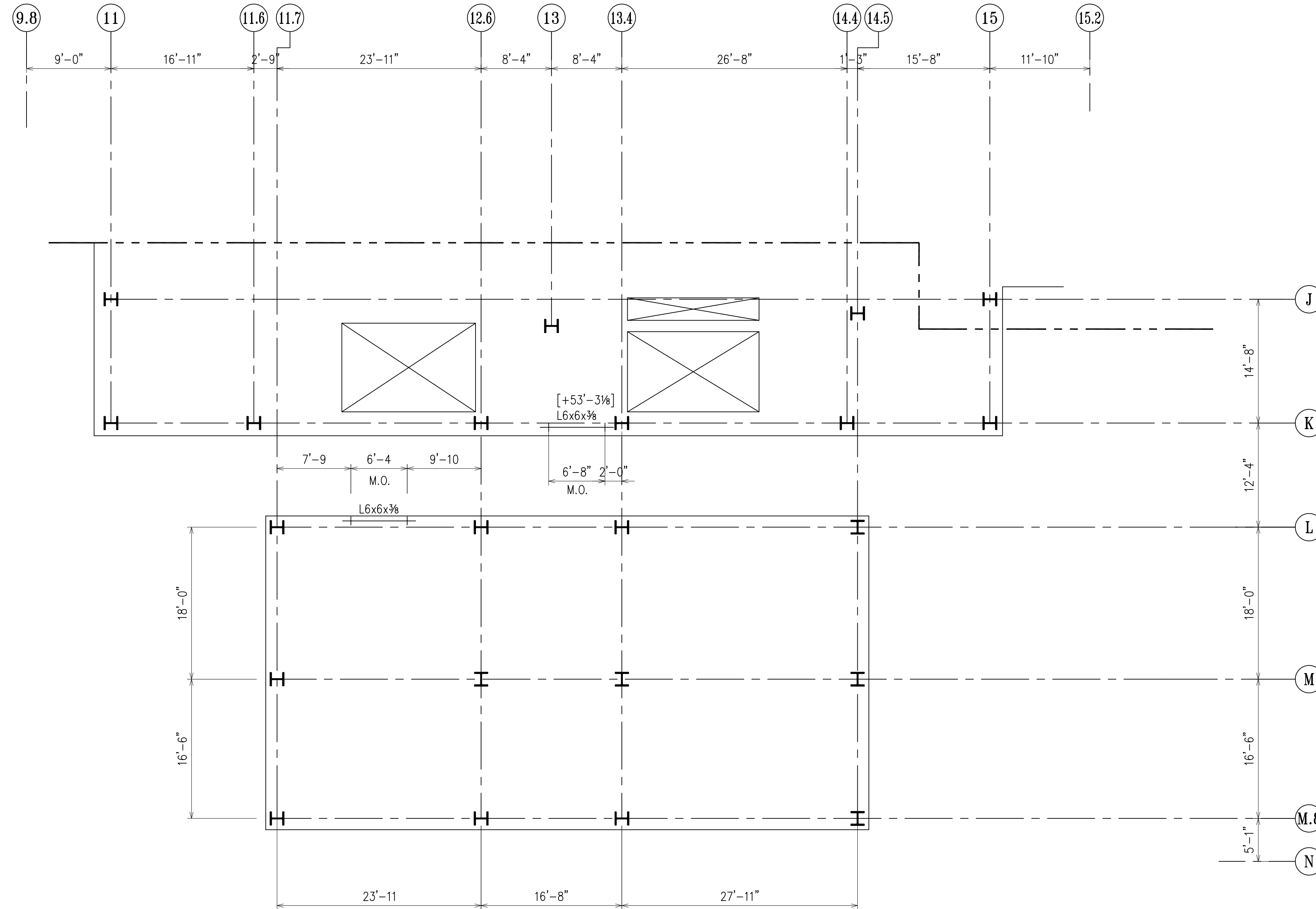
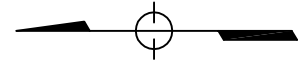
ADOPTED BY THE NATIONAL INSTITUTE OF STEEL DETAILING 1977.



DRAWINGS PREPARED BY:
DIVISION FIVE DETAILING INC.
1770 Gallagher Drive
Vineland, New Jersey 08360
Phone: (856) 794-9474
Fax: (856) 696-2027

PAIN	ONE SHOP COAT U/NOTED				
MATERIAL	GR.50 U/NOTED				
HOLES	13/16" U/NOTED				
ELECTRODES	E70XX	7/23	PER APPROVAL		
TOTAL WEIGHT		NO	DATE	DESCRIPTION	NO
DIAG. REF #		REVISIONS			
WEIR WELDING CO. INC.					
DRAFTER	YG	LAW ENFORCEMENT SCHOOL			CONTRACT NO
DATE	5/04/01				S-616
CHECKED					DWG NO
DATE					E28

ERECTOR'S NORTH



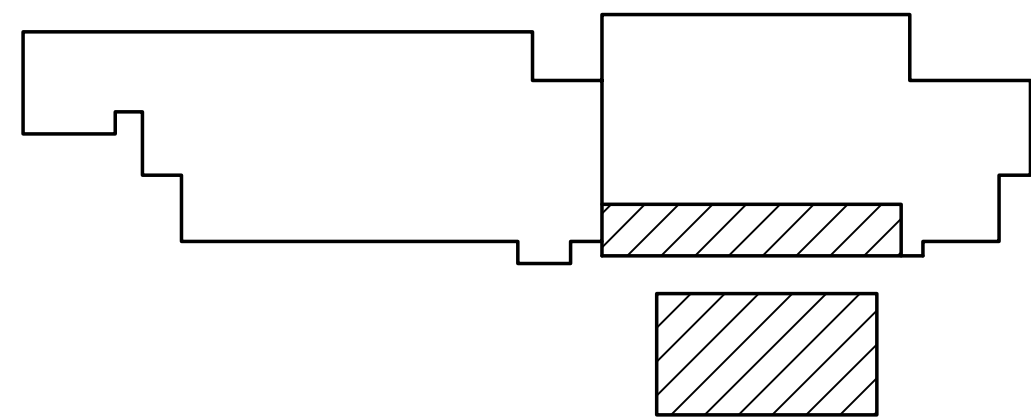
NOTE : BOTTOM OF STEEL ELEVATION TO BE [+55'-8 1/2"] U.N.O.
TAKEN FROM DATUM FIN. FLOOR EL. 0'-0" (ACTUAL +23'-0")

APPROVAL/REVIEW AUTHORITY:
PLEASE REVIEW THIS DRAWING CAREFULLY.
IT REPRESENTS OUR INTERPRETATION OF THE INTENT OF
THE CONTRACT DOCUMENTS. HOWEVER, THE STEEL
FABRICATOR AND THE STRUCTURAL STEEL DETAILER
ASSUME NO RESPONSIBILITY FOR THE ACCURACY OF THE
INFORMATION SHOWN ON THIS DRAWING. THIS IS THE
RESPONSIBILITY OF THE BUYER.

IT WILL BE ASSUMED THAT ALL INFORMATION SHOWN
HEREIN HAS THE AFFIRMATION OF THE APPROVAL
AUTHORITY UNLESS NOTED TO THE CONTRARY ON THIS
DRAWING WHEN IT IS RETURNED FROM APPROVAL.

SUBSEQUENT CHANGES TO INFORMATION SHOWN ON
THESE DRAWINGS AFTER FIRST SUBMISSION WILL BE
CONSIDERED AS CONTRACT CHANGES.

ADOPTED BY THE NATIONAL INSTITUTE OF STEEL DETAILING 1977.

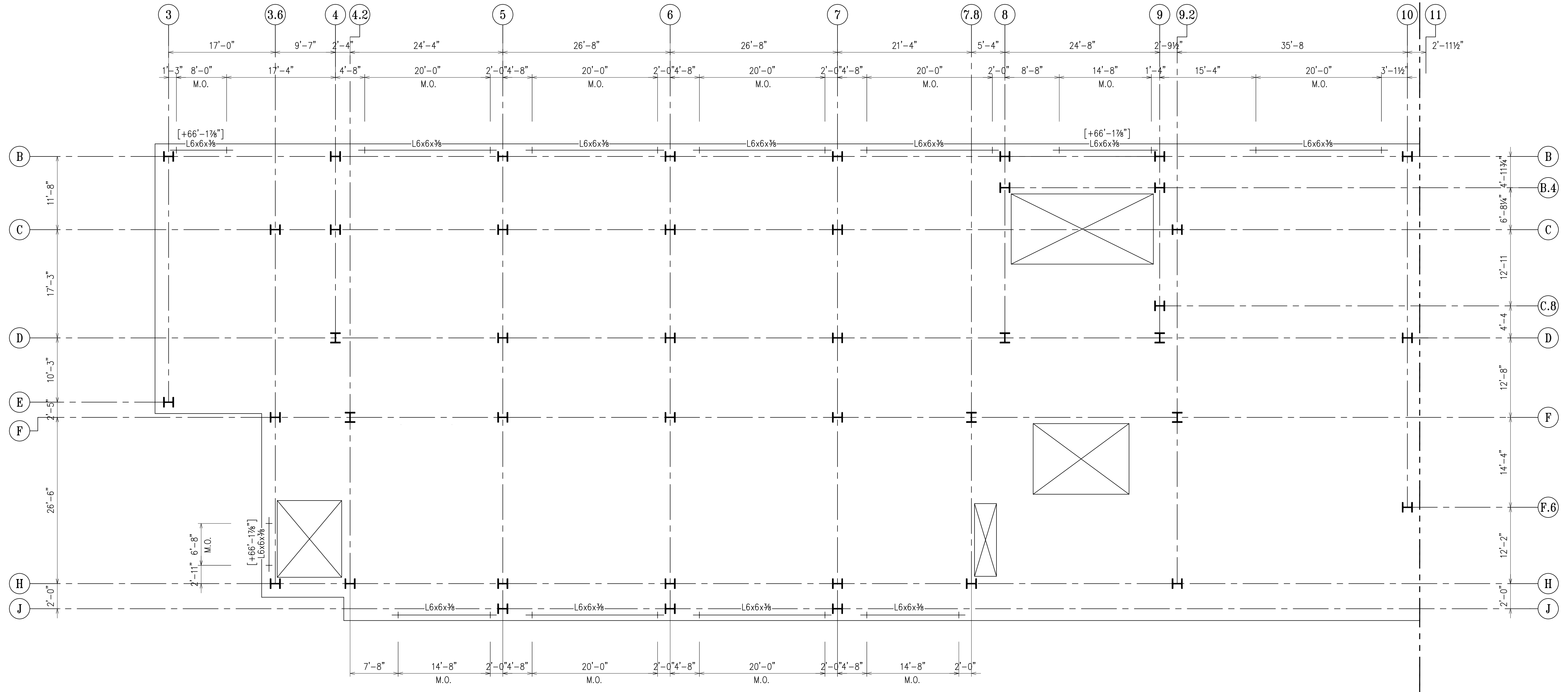
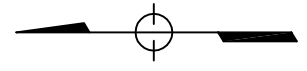


DRAWINGS PREPARED BY:

DIVISION FIVE DETAILING INC.
1770 Gallagher Drive
Vineland, New Jersey 08360
Phone: (856) 794-9474
Fax: (856) 696-2027

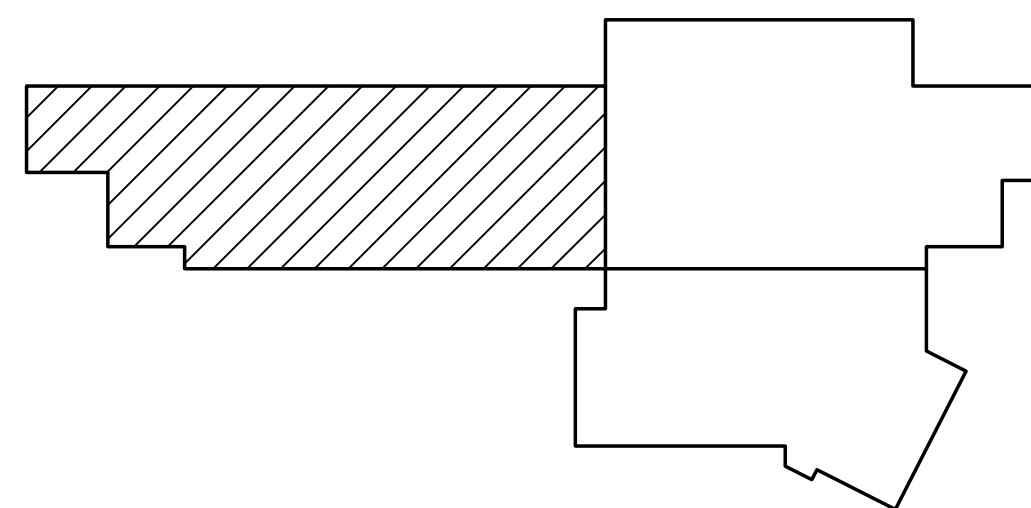
PAINT	ONE SHOP COAT U/NOTED				
MATERIAL	GR.50 U/NOTED				
HOLES	13/16" U/NOTED				
ELECTRODES	E70XX	7/23	PER APPROVAL		
TOTAL WEIGHT		NO	DATE	DESCRIPTION	NO
DIAG. REF #		REVISIONS			

WEIR WELDING CO. INC.		CONTRACT NO	S-616
LAW ENFORCEMENT SCHOOL		DWG NO	E29
DRAFTER	YG		
DATE	5/08/01		
CHECKED			
DATE			



NOTE : BOTTOM OF STEEL ELEVATION TO BE [+72'-1 1/8"] U.N.O.
 TAKEN FROM DATUM FIN. FLOOR EL. 0'-0" (ACTUAL +23'-0")

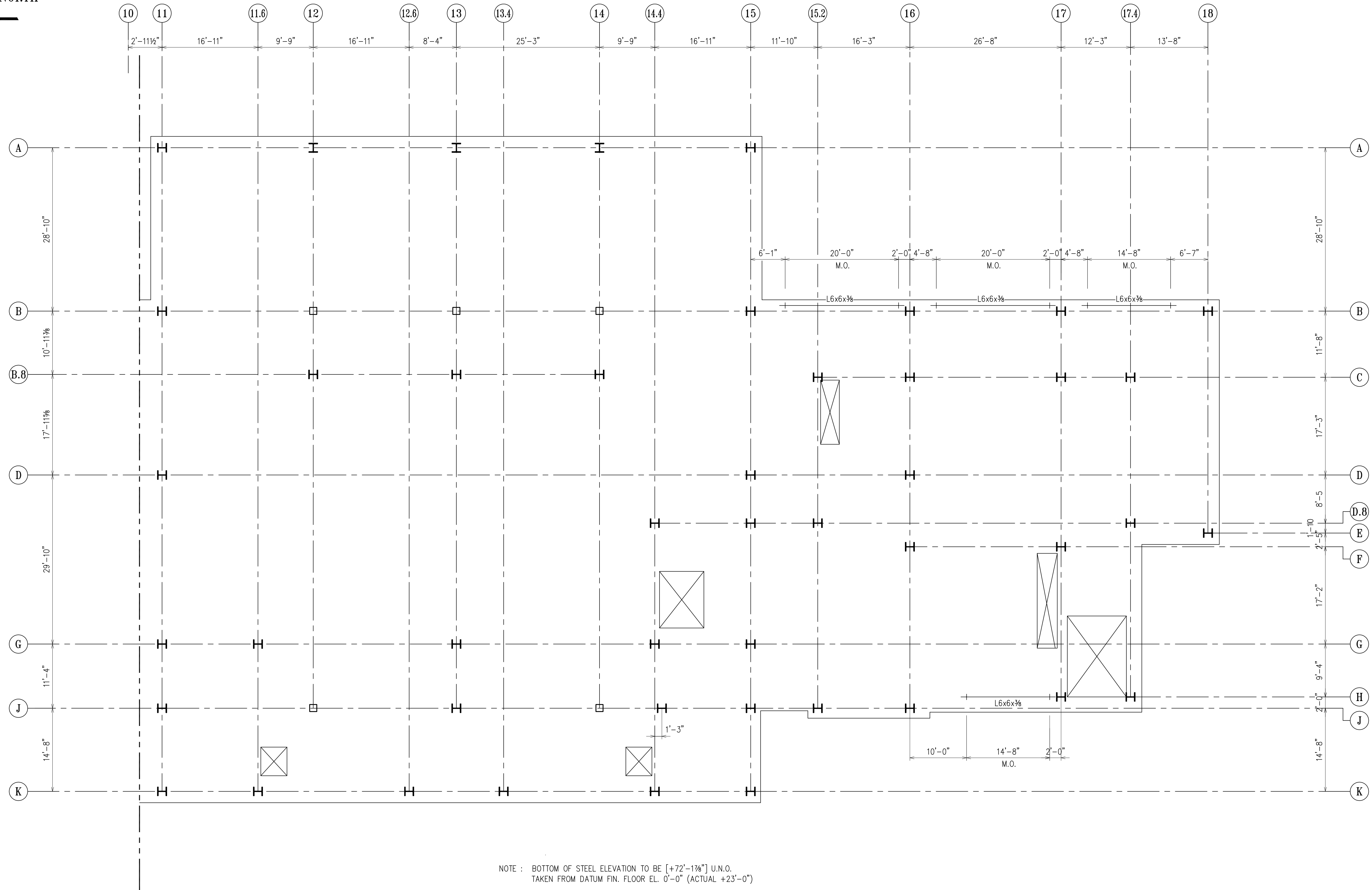
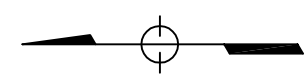
APPROVAL/REVIEW AUTHORITY:
 PLEASE REVIEW THIS DRAWING CAREFULLY.
 IT REPRESENTS OUR INTERPRETATION OF THE INTENT
 OF THE CONTRACT DOCUMENTS. HOWEVER, THE STEEL
 FABRICATOR AND THE STRUCTURAL STEEL DETAILER
 ASSUME NO RESPONSIBILITY FOR THE ACCURACY OF THE
 INFORMATION SHOWN ON THIS DRAWING. THIS IS THE
 RESPONSIBILITY OF THE BUYER.
 IT WILL BE ASSUMED THAT ALL INFORMATION SHOWN
 HEREIN HAS THE AFFIRMATION OF THE APPROVAL
 AUTHORITY UNLESS NOTED TO THE CONTRARY ON THIS
 DRAWING WHEN IT IS RETURNED FROM APPROVAL.
 SUBSEQUENT CHANGES TO INFORMATION SHOWN ON
 THESE DRAWINGS AFTER FIRST SUBMISSION WILL BE
 CONSIDERED AS CONTRACT CHANGES.
 ADOPTED BY THE NATIONAL INSTITUTE OF STEEL DETAILING 1977.



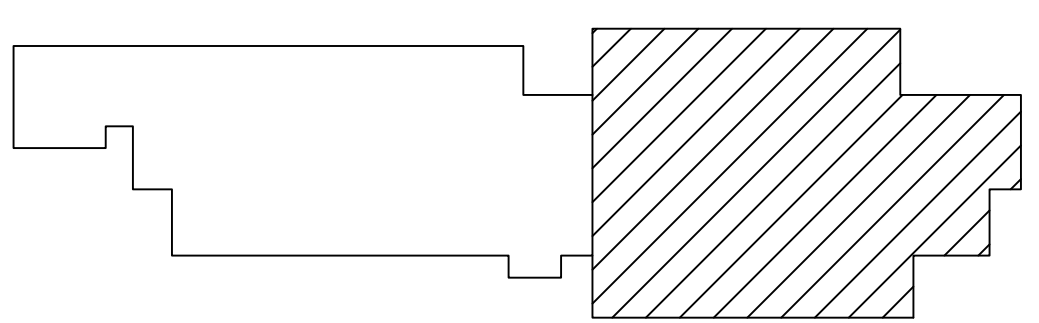
DRAWINGS PREPARED BY:
 DIVISION FIVE DETAILING INC.
 1770 Gallagher Drive
 Vineland, New Jersey 08360
 Phone: (856) 794-9474
 Fax: (856) 696-2027

PAIN	ONE SHOP COAT U/NOTED				
MATERIAL	GR.50 U/NOTED				
HOLES	13/16" U/NOTED				
ELECTRODES	E70XX	7/23	PER APPROVAL		
TOTAL WEIGHT		NO	DATE	DESCRIPTION	NO
DIAG. REF #		REVISIONS			
WEIR WELDING CO. INC.					
DRAFTER	YG	LAW ENFORCEMENT SCHOOL			CONTRACT NO
DATE	5/08/01				S-616
CHECKED					DWG NO
DATE					E30

ERECTOR'S NORTH



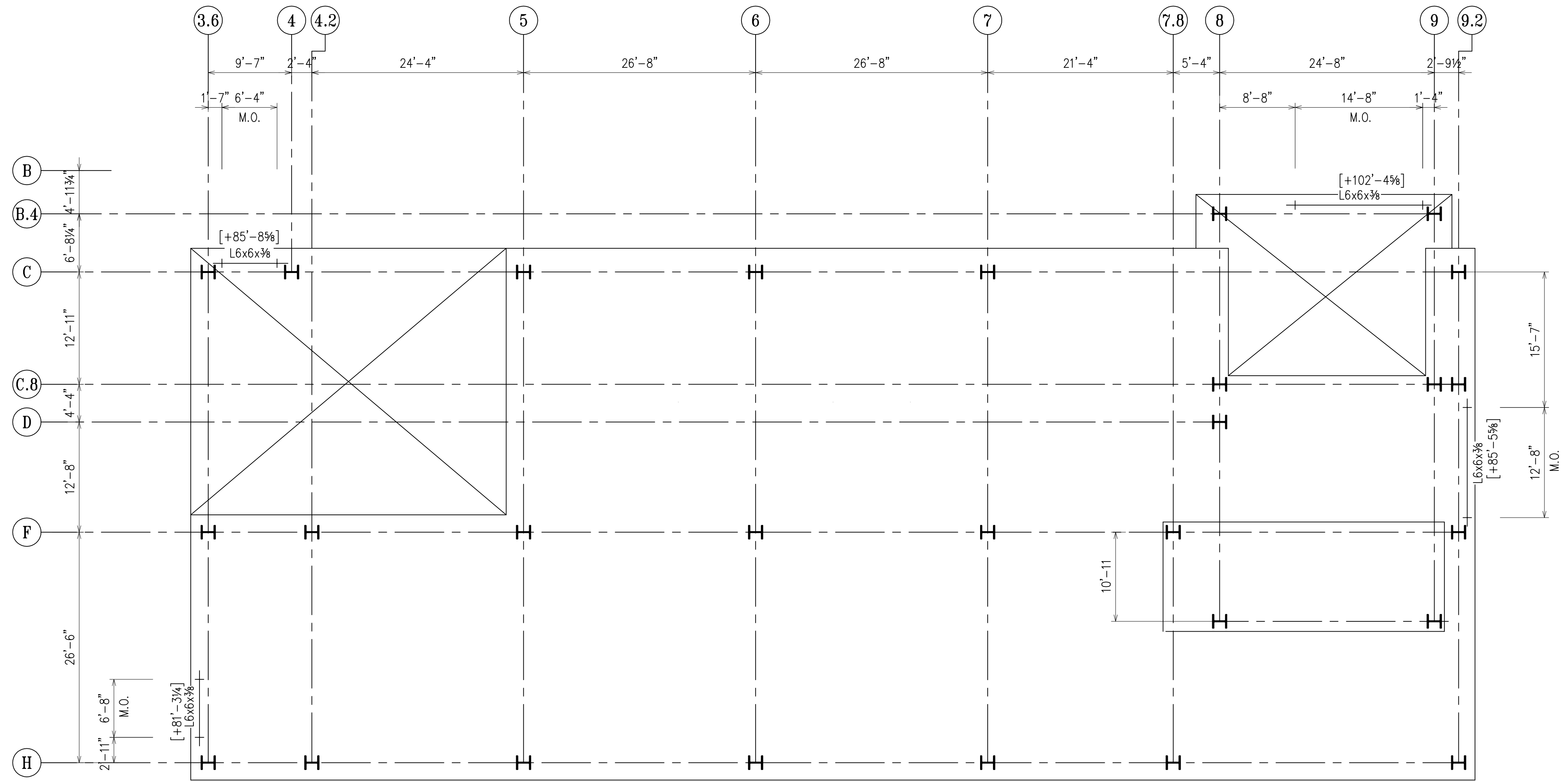
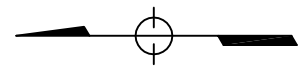
APPROVAL/REVIEW AUTHORITY:
PLEASE REVIEW THIS DRAWING CAREFULLY.
IT REPRESENTS OUR INTERPRETATION OF THE INTENT
OF THE CONTRACT DOCUMENTS. HOWEVER, THE STEEL
FABRICATOR AND THE STRUCTURAL STEEL DETAILER
ASSUME NO RESPONSIBILITY FOR THE ACCURACY OF THE
INFORMATION SHOWN ON THIS DRAWING. THIS IS THE
RESPONSIBILITY OF THE BUYER.
IT WILL BE ASSUMED THAT ALL INFORMATION SHOWN
HEREIN HAS THE AFFIRMATION OF THE APPROVAL
AUTHORITY UNLESS NOTED TO THE CONTRARY ON THIS
DRAWING WHEN IT IS RETURNED FROM APPROVAL.
SUBSEQUENT CHANGES TO INFORMATION SHOWN ON
THESE DRAWINGS AFTER FIRST SUBMISSION WILL BE
CONSIDERED AS CONTRACT CHANGES.
ADOPTED BY THE NATIONAL INSTITUTE OF STEEL DETAILING 1977.



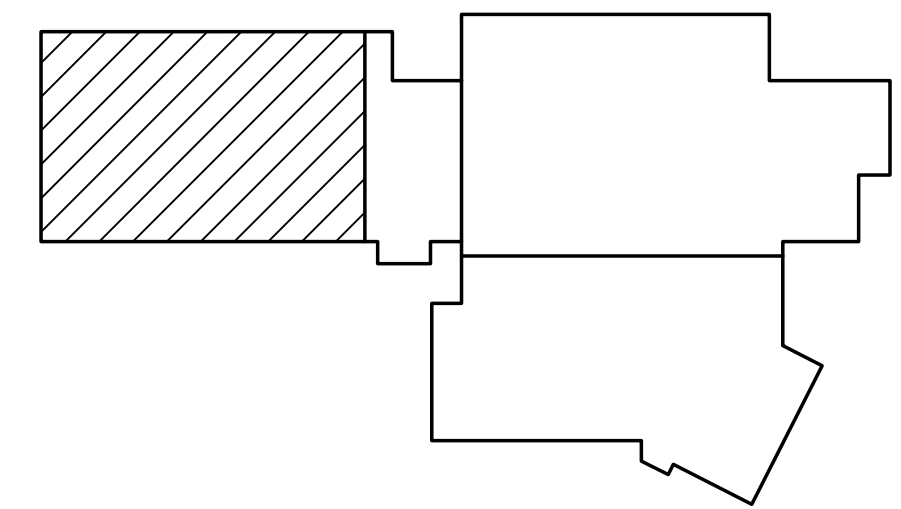
DRAWINGS PREPARED BY:
DIVISION FIVE DETAILING INC.
1770 Gallagher Drive
Vineland, New Jersey 08360
Phone: (856) 794-9474
Fax: (856) 696-2027

PAINT	ONE SHOP COAT U/NOTED				
MATERIAL	GR.50 U/NOTED				
HOLES	13/16" U/NOTED				
ELECTRODES	E70XX	7/23	PER APPROVAL		
TOTAL WEIGHT		NO	DATE	DESCRIPTION	
DIAG. REF #		REVISIONS			

WEIR WELDING CO. INC.
LAW ENFORCEMENT SCHOOL
CONTRACT NO. S-616
DWG NO. E31



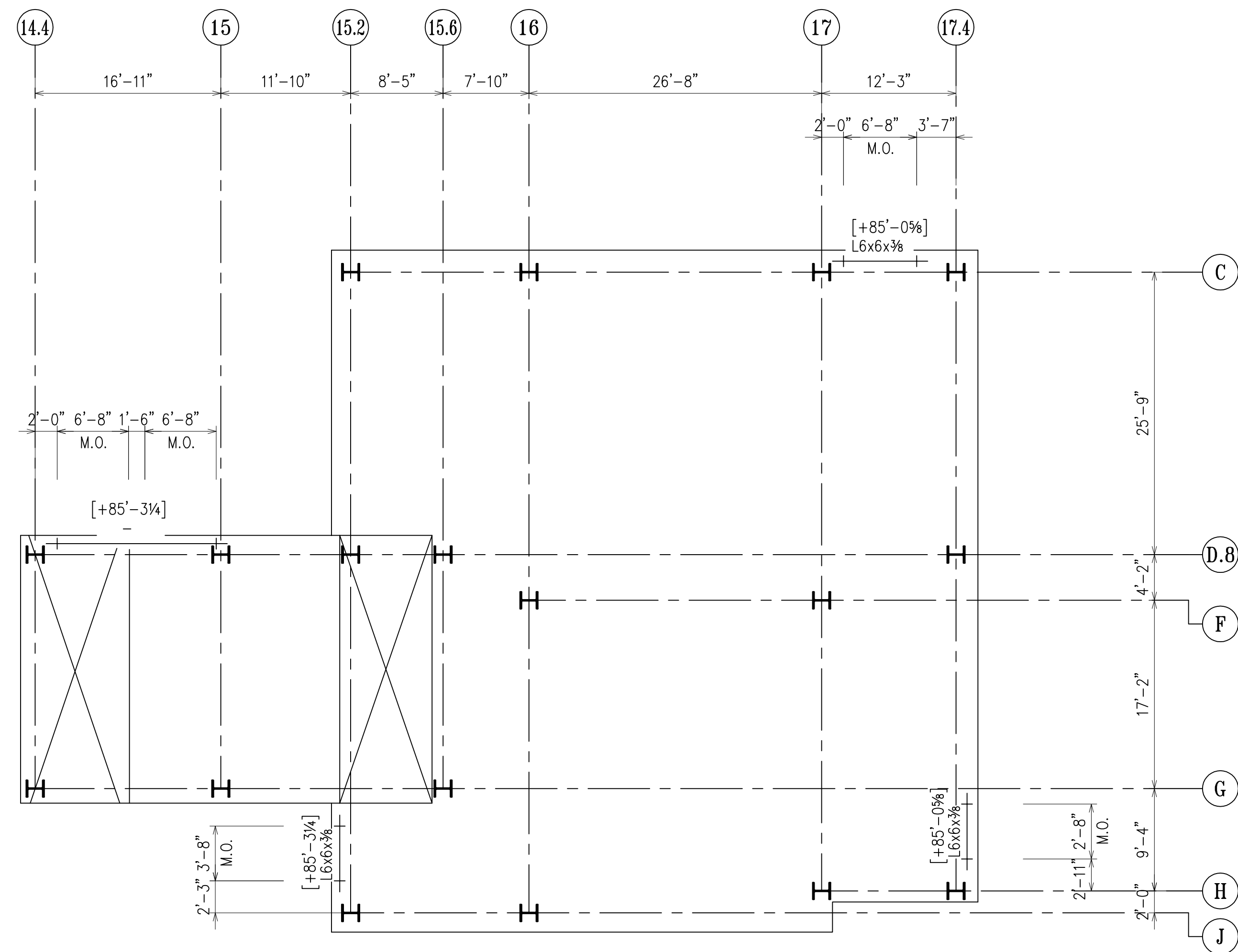
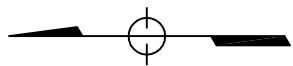
NOTE : BOTTOM OF STEEL ELEVATION TO BE [+x'-x"] U.N.O.
 TAKEN FROM DATUM FIN. FLOOR EL. 0'-0" (ACTUAL +23'-0")



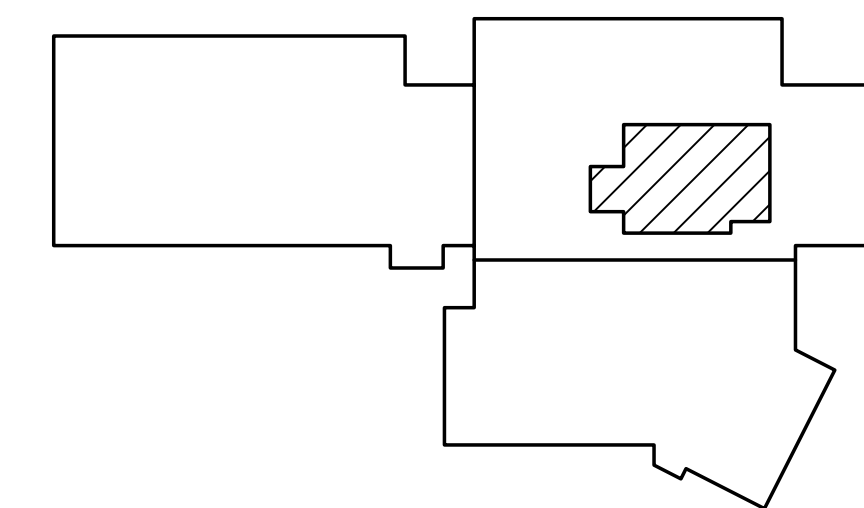
APPROVAL/REVIEW AUTHORITY:
 PLEASE REVIEW THIS DRAWING CAREFULLY.
 IT REPRESENTS OUR INTERPRETATION OF THE INTENT OF THE CONTRACT DOCUMENTS. HOWEVER, THE STEEL FABRICATOR AND THE STRUCTURAL STEEL DETAILER ASSUME NO RESPONSIBILITY FOR THE ACCURACY OF THE INFORMATION SHOWN ON THIS DRAWING. THIS IS THE RESPONSIBILITY OF THE BUYER.
 IT WILL BE ASSUMED THAT ALL INFORMATION SHOWN HEREIN HAS THE AFFIRMATION OF THE APPROVAL AUTHORITY UNLESS NOTED TO THE CONTRARY ON THIS DRAWING WHEN IT IS RETURNED FROM APPROVAL.
 SUBSEQUENT CHANGES TO INFORMATION SHOWN ON THESE DRAWINGS AFTER FIRST SUBMISSION WILL BE CONSIDERED AS CONTRACT CHANGES.
 ADOPTED BY THE NATIONAL INSTITUTE OF STEEL DETAILING 1977.

DRAWINGS PREPARED BY:
 DIVISION FIVE DETAILING INC.
 1770 Gallagher Drive
 Vineland, New Jersey 08360
 Phone: (856) 794-9474
 Fax: (856) 696-2027

PAIN	ONE SHOP COAT U/NOTED				
MATERIAL	GR.50 U/NOTED				
HOLES	13/16" U/NOTED				
ELECTRODES	E70XX	7/23	PER APPROVAL		
TOTAL WEIGHT		NO	DATE	DESCRIPTION	NO
DIAG. REF #		REVISIONS			
WEIR WELDING CO. INC.					
DRAFTER	YG	LAW ENFORCEMENT SCHOOL			CONTRACT NO
DATE	5/08/01				S-616
CHECKED					DWG NO
DATE					E32



NOTE : BOTTOM OF STEEL ELEVATION TO BE [+x'-x'"] U.N.O.
 TAKEN FROM DATUM FIN. FLOOR EL. 0'-0" (ACTUAL +23'-0")

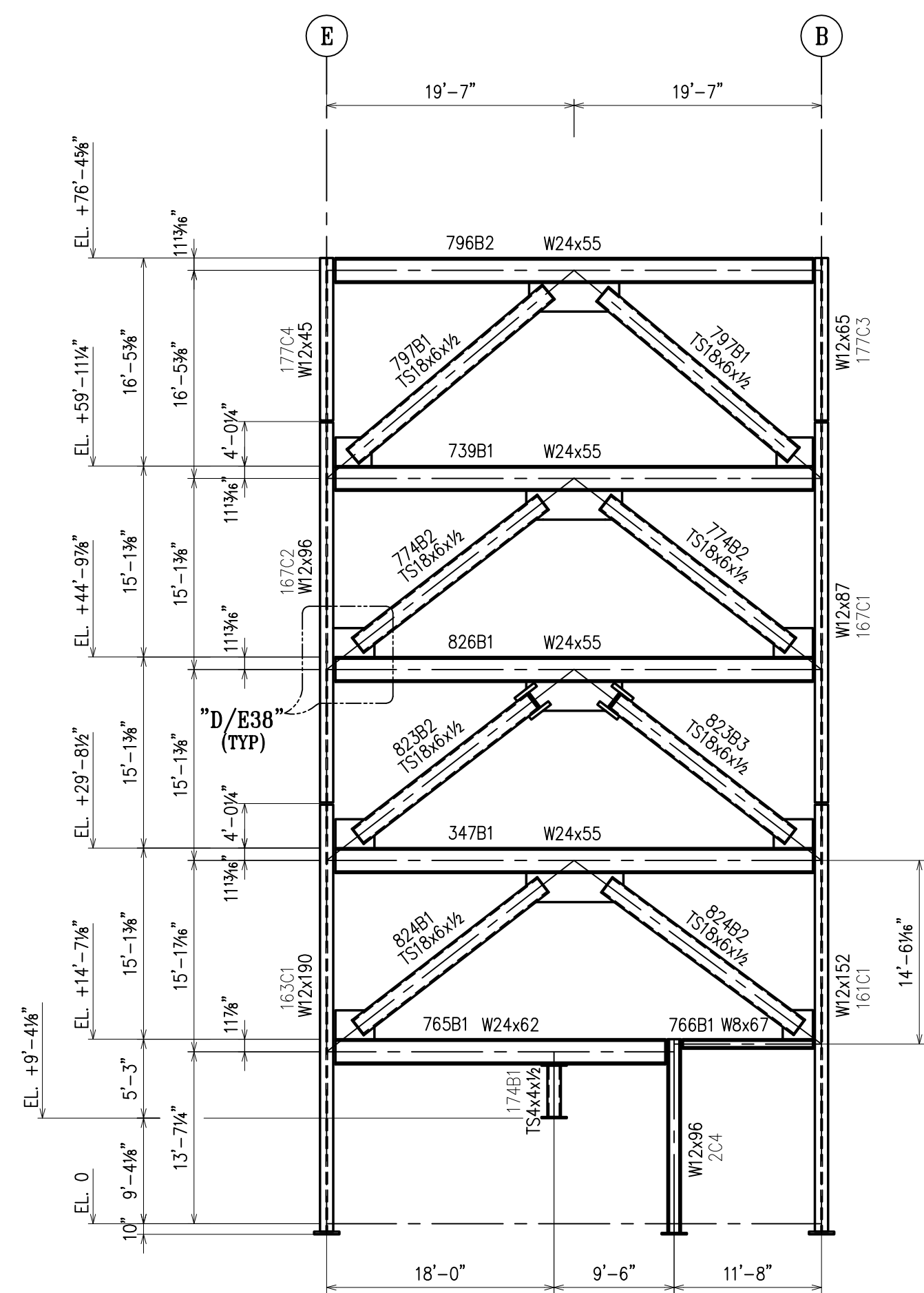


APPROVAL/REVIEW AUTHORITY:
 PLEASE REVIEW THIS DRAWING CAREFULLY.
 IT REPRESENTS OUR INTERPRETATION OF THE INTENT OF THE CONTRACT DOCUMENTS. HOWEVER, THE STEEL FABRICATOR AND THE STRUCTURAL STEEL DETAILER ASSUME NO RESPONSIBILITY FOR THE ACCURACY OF THE INFORMATION SHOWN ON THIS DRAWING. THIS IS THE RESPONSIBILITY OF THE BUYER.
 IT WILL BE ASSUMED THAT ALL INFORMATION SHOWN HEREIN HAS THE AFFIRMATION OF THE APPROVAL AUTHORITY UNLESS NOTED TO THE CONTRARY ON THIS DRAWING WHEN IT IS RETURNED FROM APPROVAL.
 SUBSEQUENT CHANGES TO INFORMATION SHOWN ON THESE DRAWINGS AFTER FIRST SUBMISSION WILL BE CONSIDERED AS CONTRACT CHANGES.
 ADOPTED BY THE NATIONAL INSTITUTE OF STEEL DETAILING 1977.

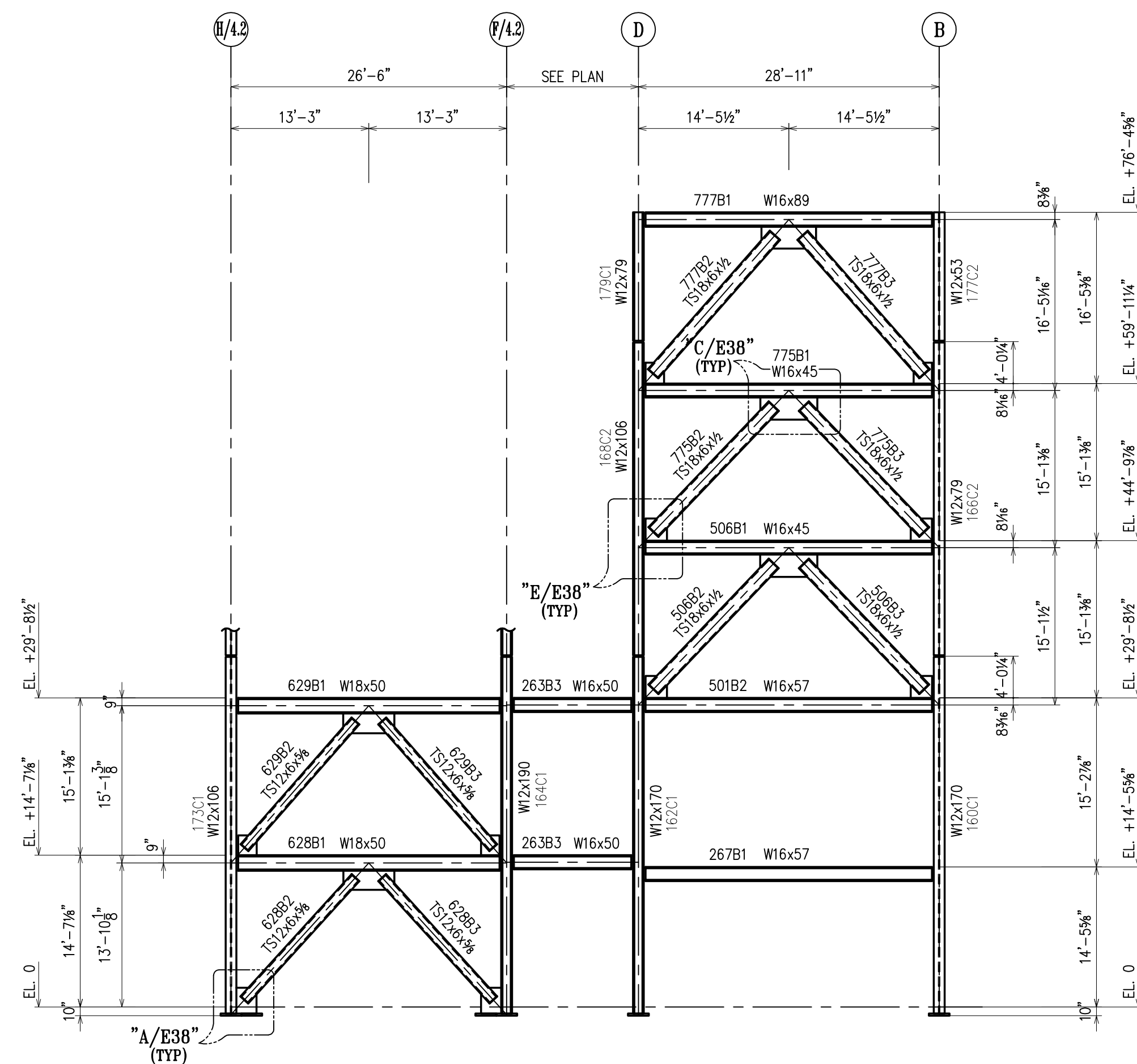
PAIN	ONE SHOP COAT U/NOTED				
MATERIAL	GR.50 U/NOTED				
HOLES	13/16" U/NOTED				
ELECTRODES	E70XX	7/23	PER APPROVAL		
TOTAL WEIGHT		NO	DATE	NO	DATE
DIAG. REF #		REVISIONS			

DRAWINGS PREPARED BY:
 DIVISION FIVE DETAILING INC.
 1770 Gallagher Drive
 Vineland, New Jersey 08360
 Phone: (856) 794-9474
 Fax: (856) 696-2027

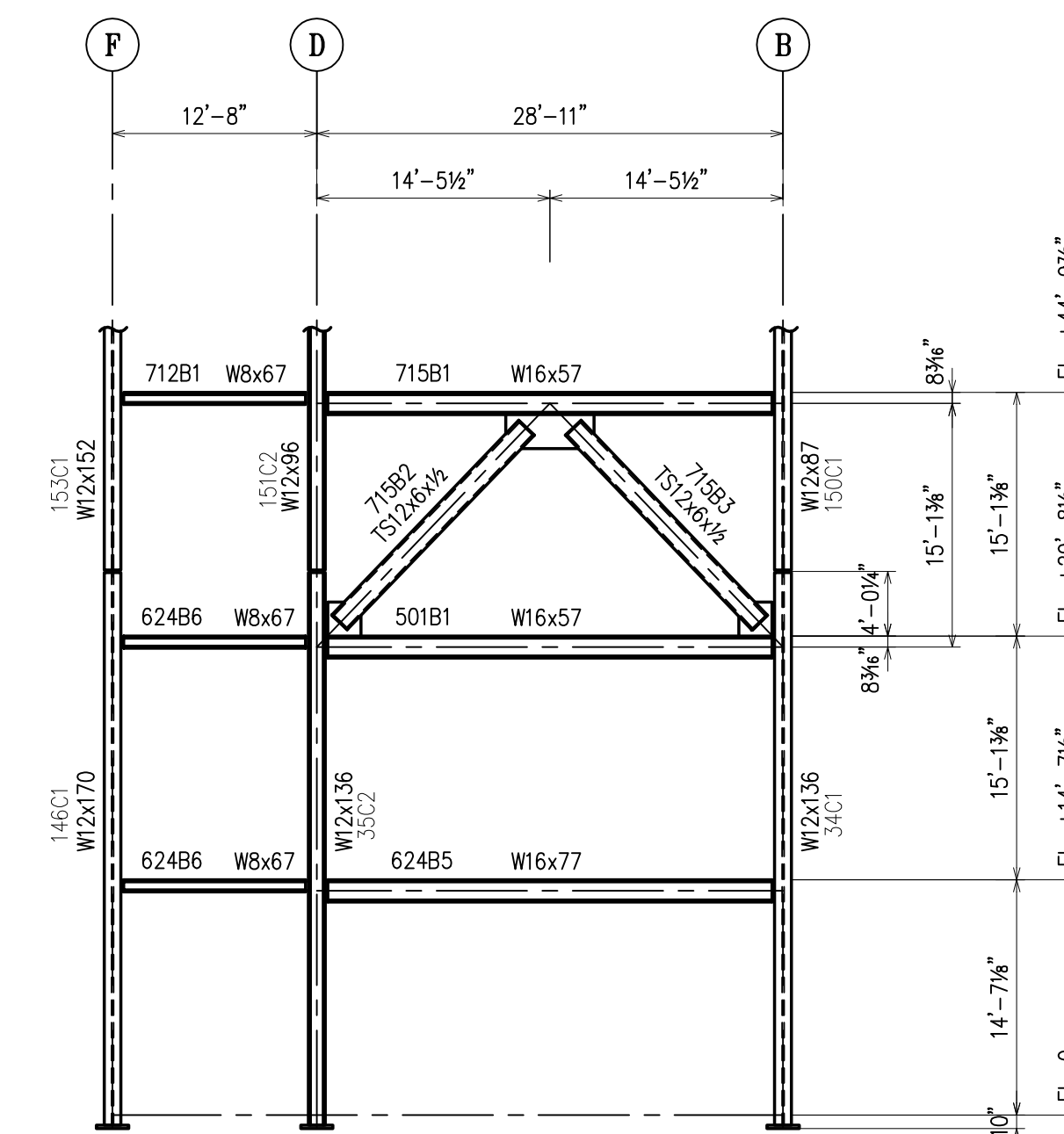
WEIR WELDING CO. INC.		LAW ENFORCEMENT SCHOOL		CONTRACT NO
				S-616
DRAFTER	YG			DWG NO
DATE	5/08/01			E33
CHECKED				
DATE				



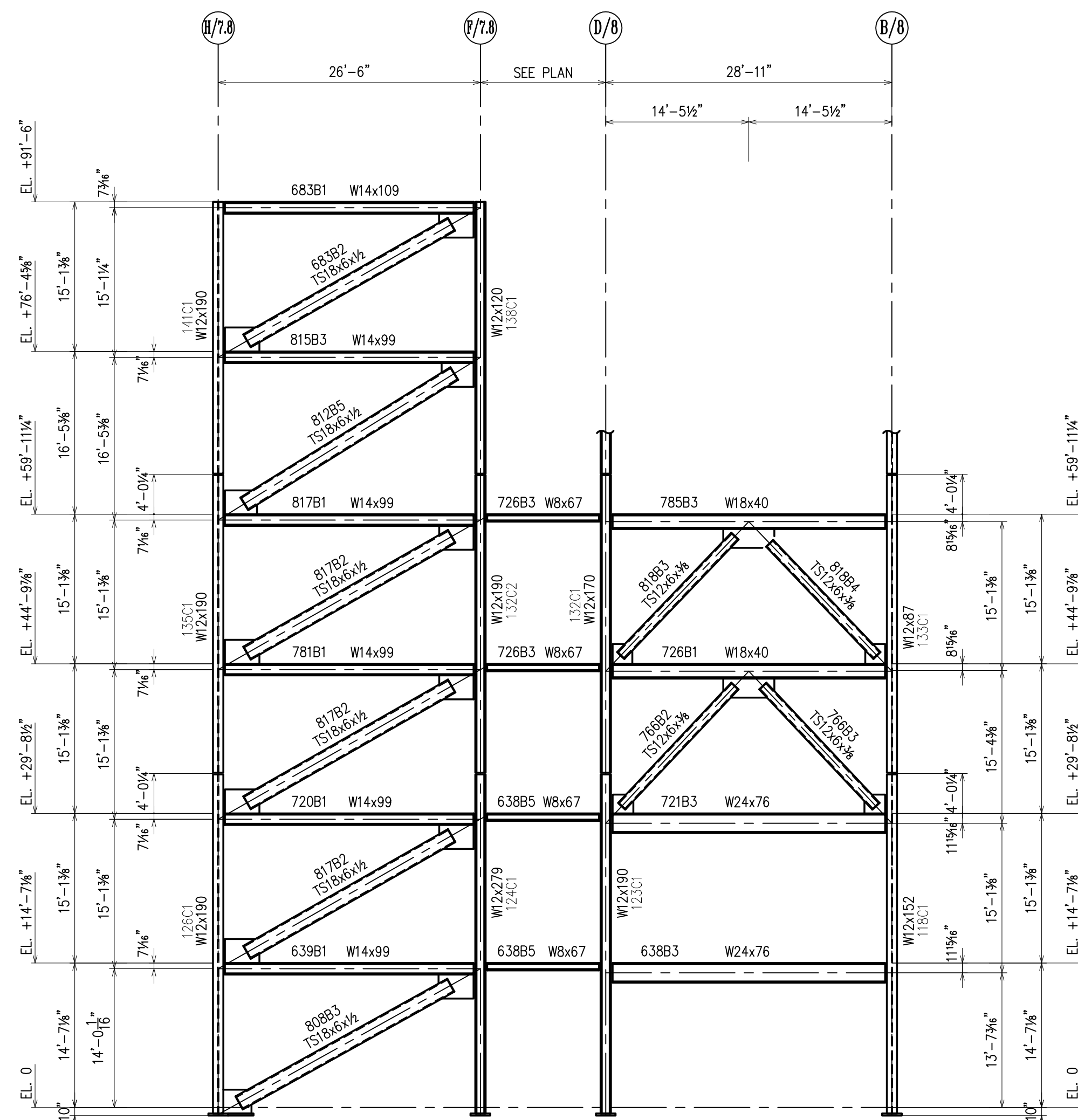
(© COL. LINE 3)



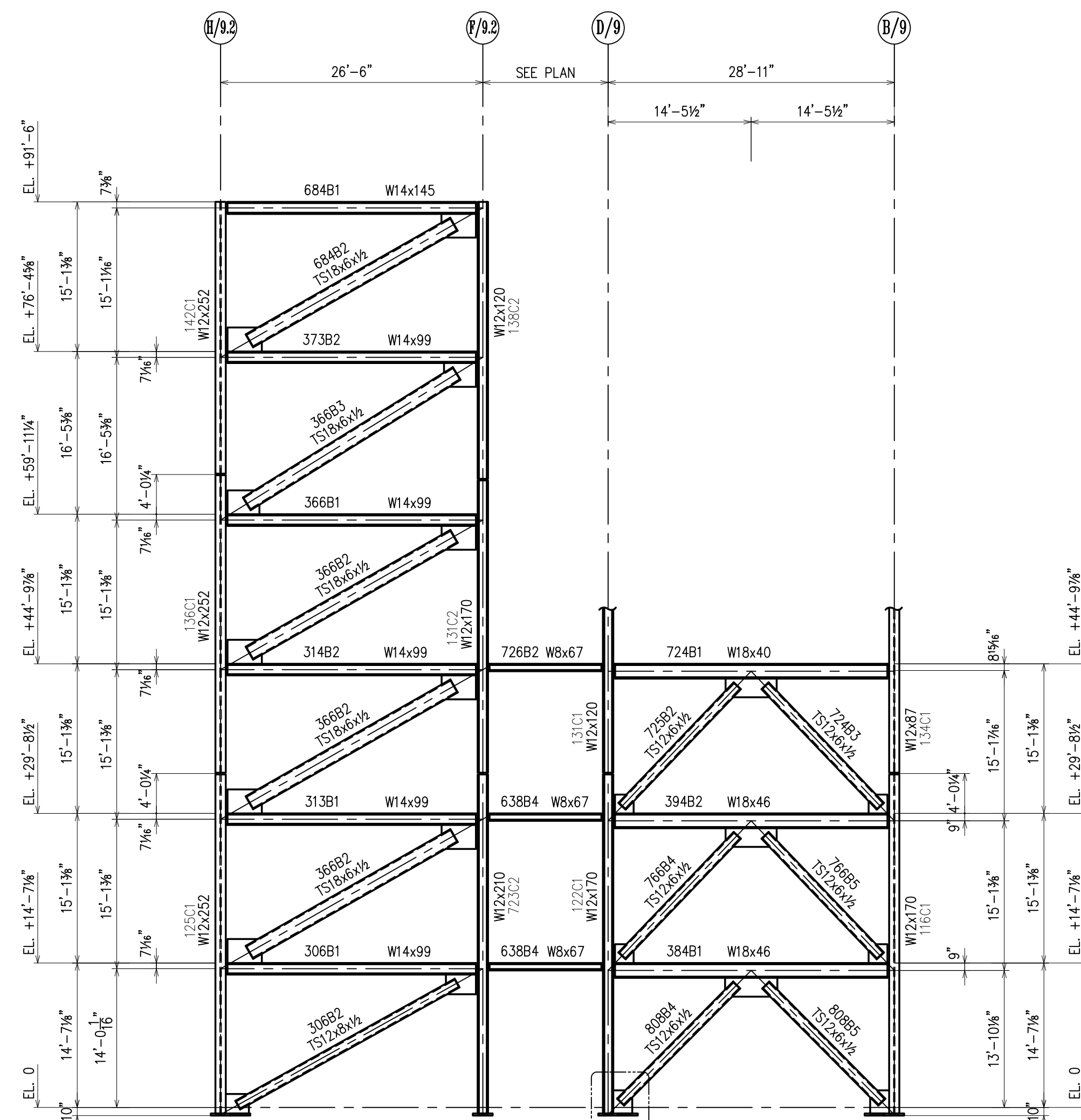
(© COL. LINE 4 & 4.2)



(© COL. LINE 7)



(© COL. LINE 7.8 & 8)



(© COL. LINE 9 & 9.2)

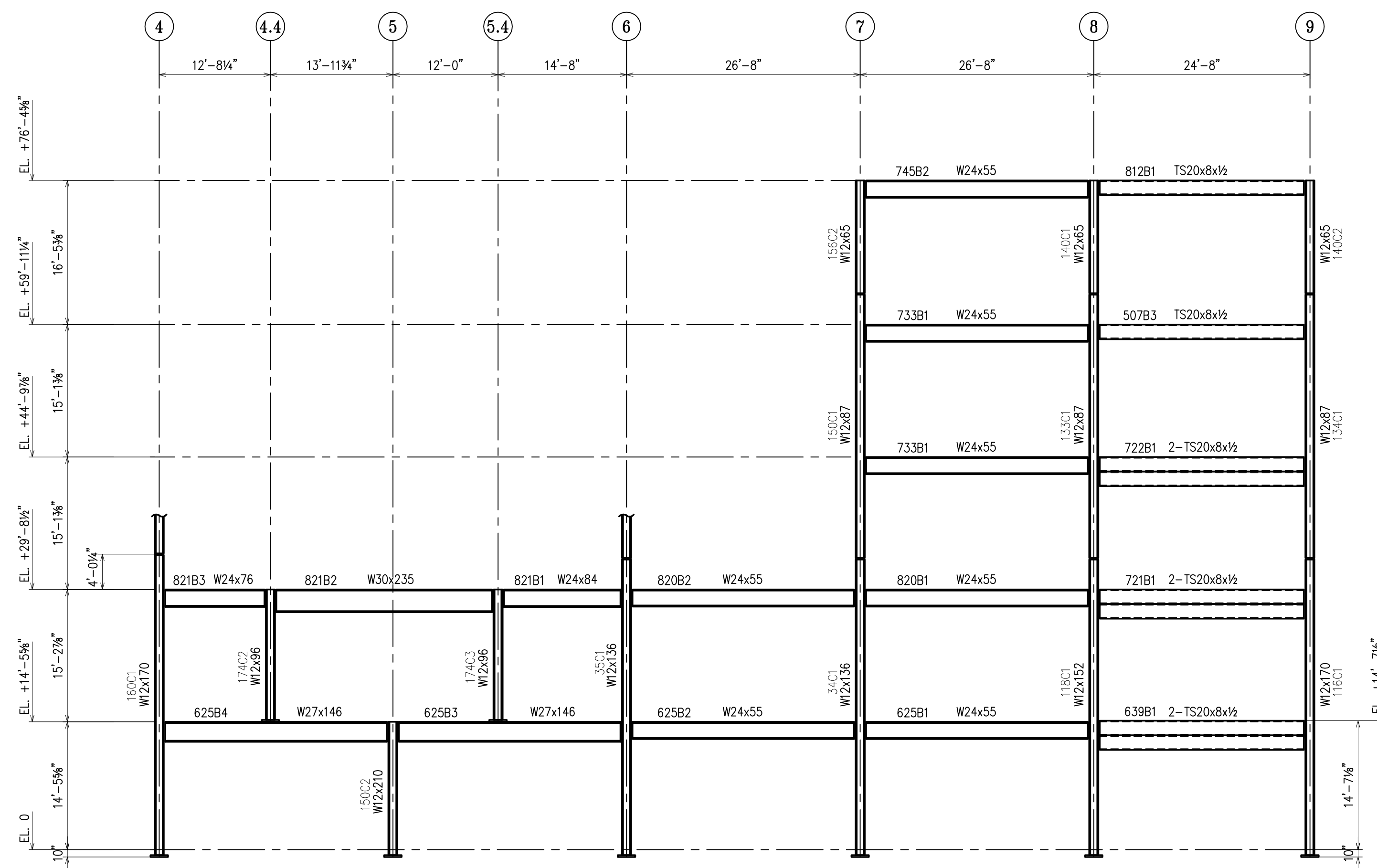
APPROVAL/REVIEW AUTHORITY:
 PLEASE REVIEW THIS DRAWING CAREFULLY.
 IT REPRESENTS OUR INTERPRETATION OF THE INTENT
 OF THE CONTRACT DOCUMENTS. HOWEVER, THE STEEL
 FABRICATOR AND THE STRUCTURAL STEEL DETAILER
 ASSUME NO RESPONSIBILITY FOR THE ACCURACY OF THE
 INFORMATION SHOWN ON THIS DRAWING. THIS IS THE
 RESPONSIBILITY OF THE BUYER.
 IT WILL BE ASSUMED THAT ALL INFORMATION SHOWN
 HEREIN HAS THE AFFIRMATION OF THE APPROVAL
 AUTHORITY UNLESS NOTED TO THE CONTRARY ON THIS
 DRAWING WHEN IT IS RETURNED FROM APPROVAL.
 SUBSEQUENT CHANGES TO INFORMATION SHOWN ON
 THESE DRAWINGS AFTER FIRST SUBMISSION WILL BE
 CONSIDERED AS CONTRACT CHANGES.
 ADOPTED BY THE NATIONAL INSTITUTE OF STEEL DETAILING 1977.

DRAWINGS PREPARED BY:

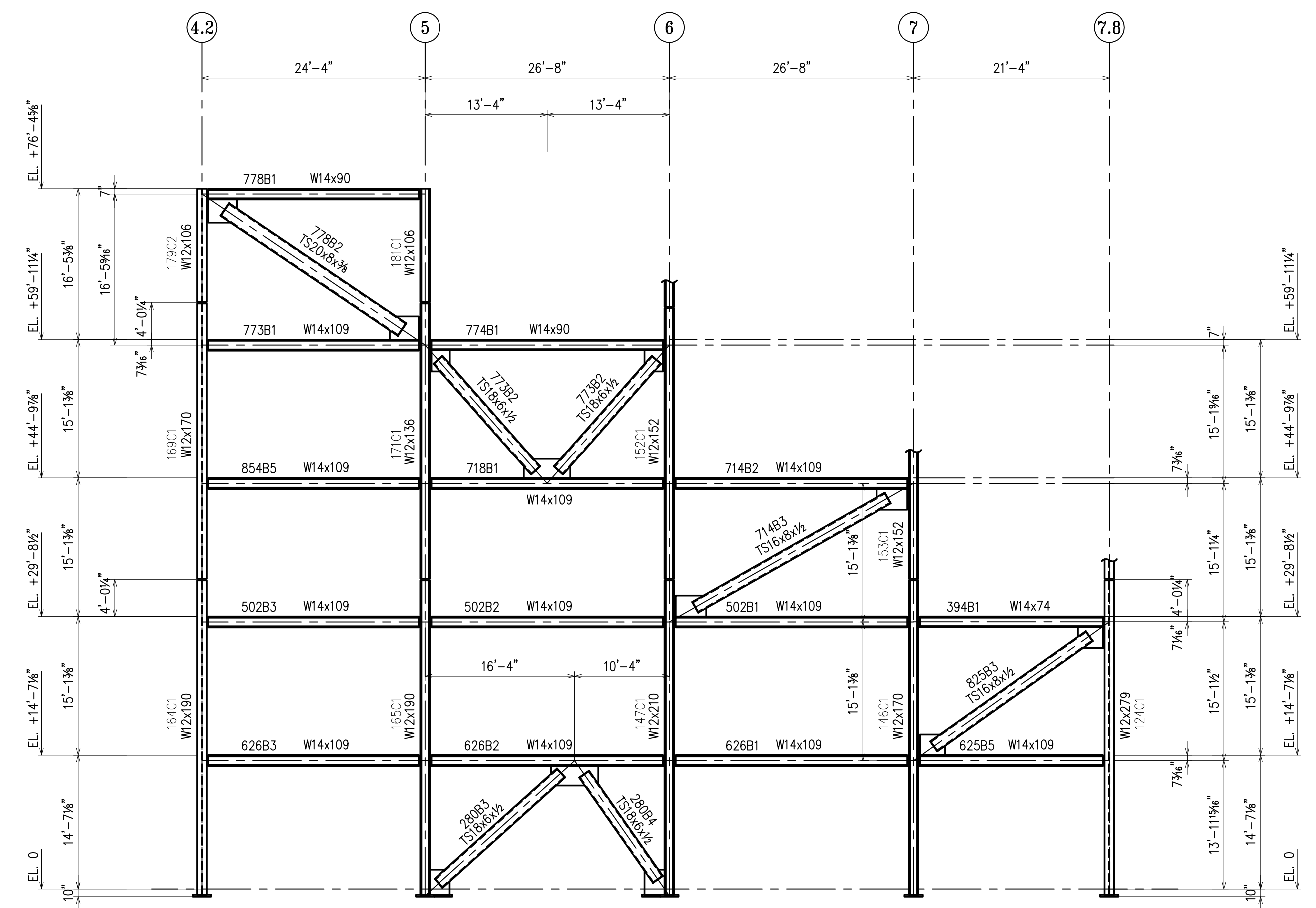
DIVISION FIVE DETAILING INC.
 1857 W. Landis Ave. Suite D
 Vineland, New Jersey 08360
 Phone: (856) 794-9474
 Fax: (856) 696-2027

PAIN	ONE SHOP COAT U/NOTED				
MATERIAL	GR.50 U/NOTED				
HOLES	15/16" U/NOTED	8/13	ADD MARKINGS		
ELECTRODES	E70XX	7/16	PER APPROVAL		
TOTAL WEIGHT		NO	DATE	NO	DATE
DIAG. REF #					
REVISIONS					

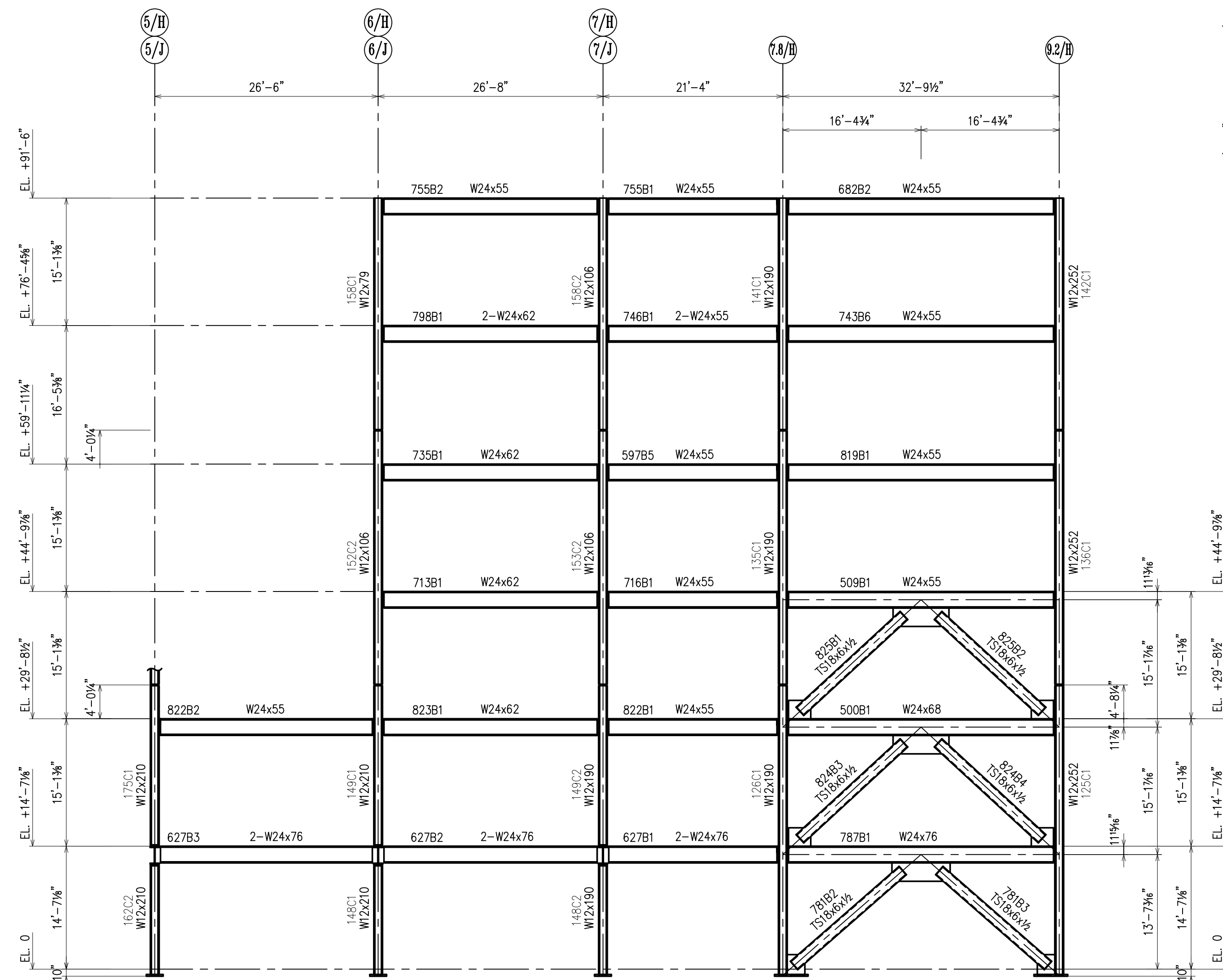
WEIR WELDING CO. INC.		CONTRACT NO	S-616
DRAFTER	YG	LAW ENFORCEMENT SCHOOL	DWG NO
DATE	5/08/01		E34
CHECKED			
DATE			



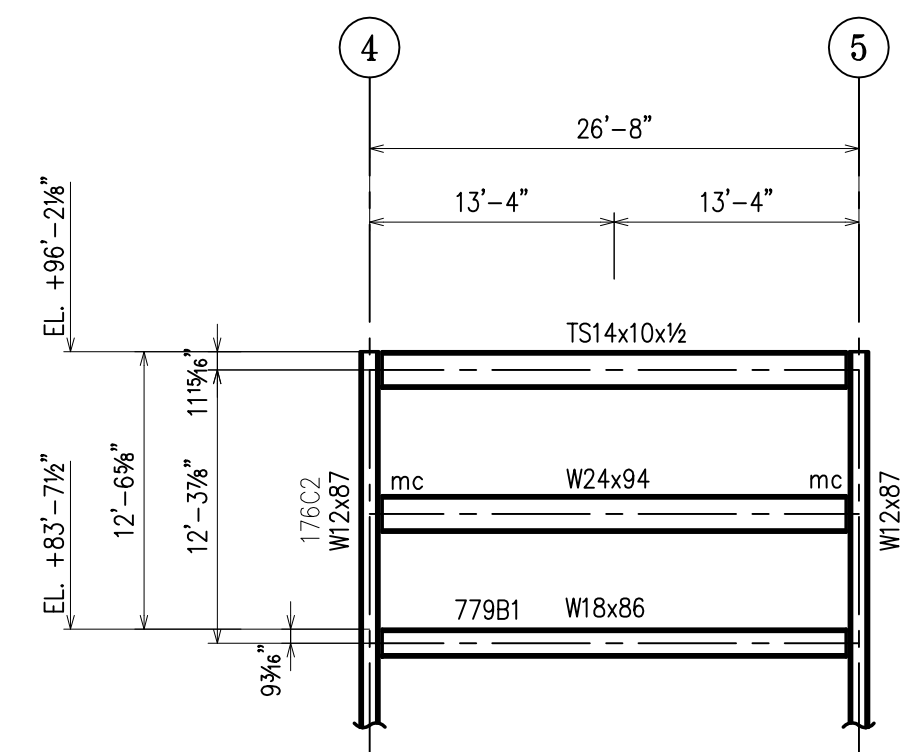
(@ COL LINE B)



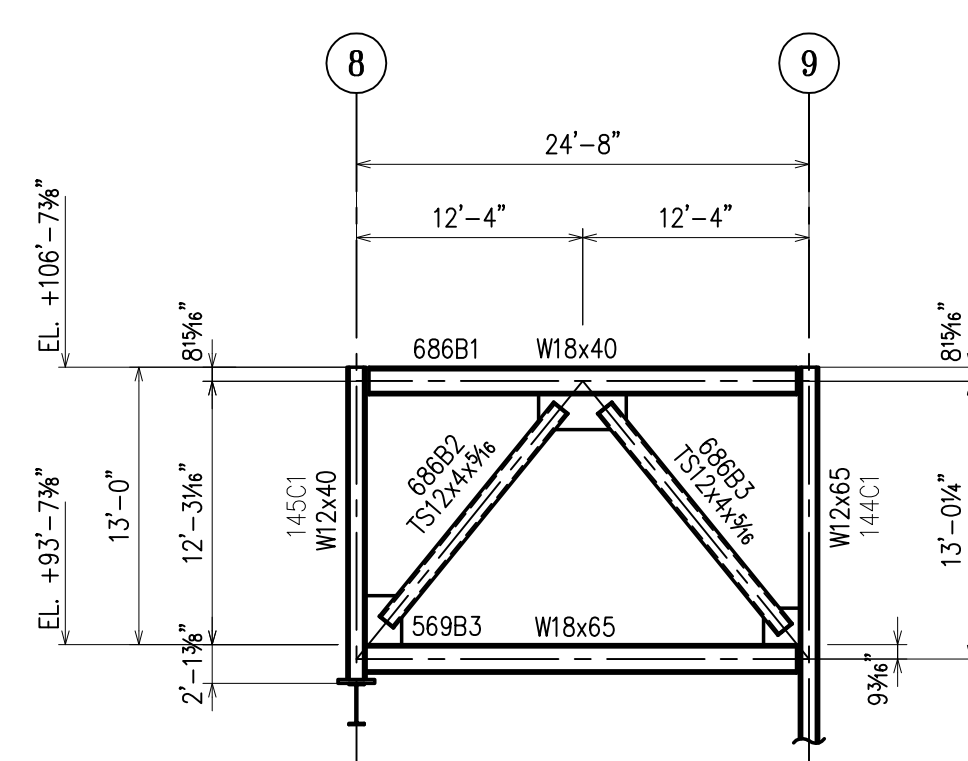
(@ COL LINE F)



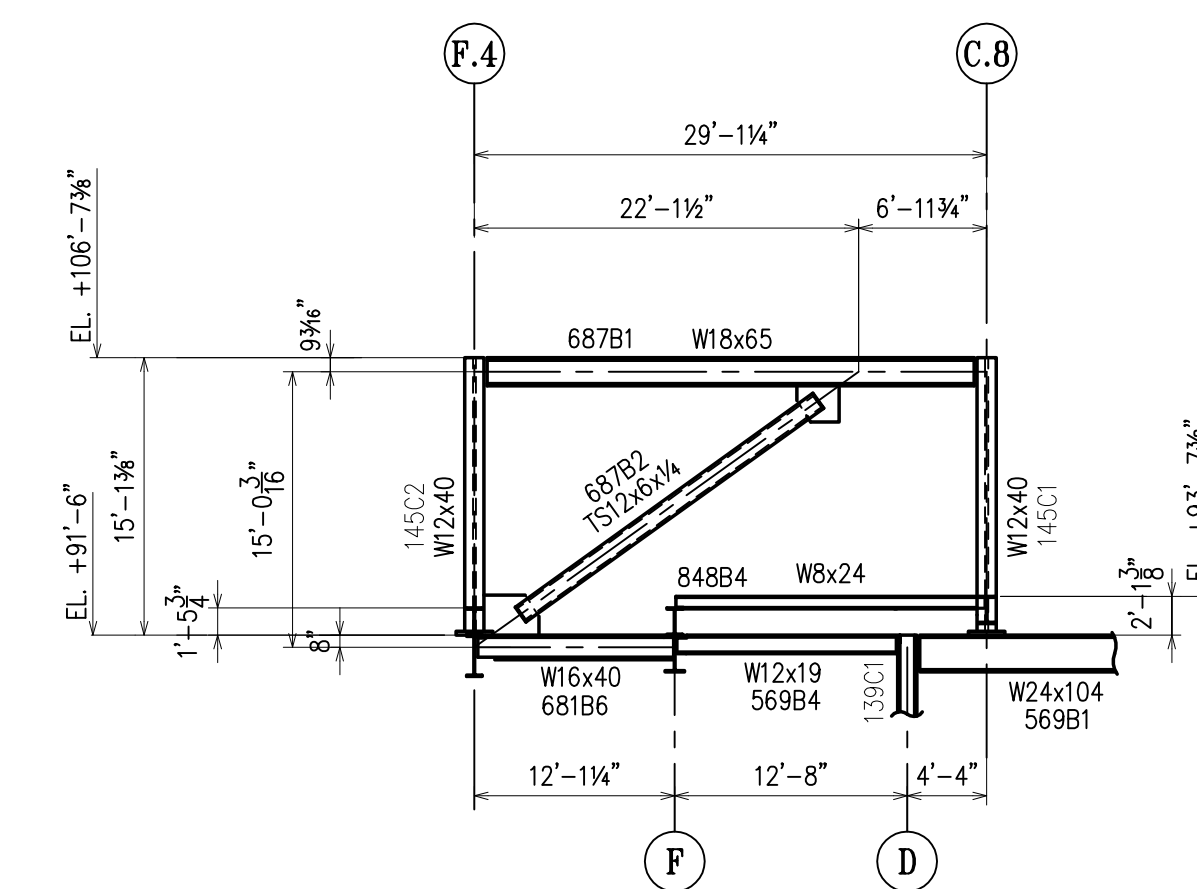
(@ COL LINE H & J)



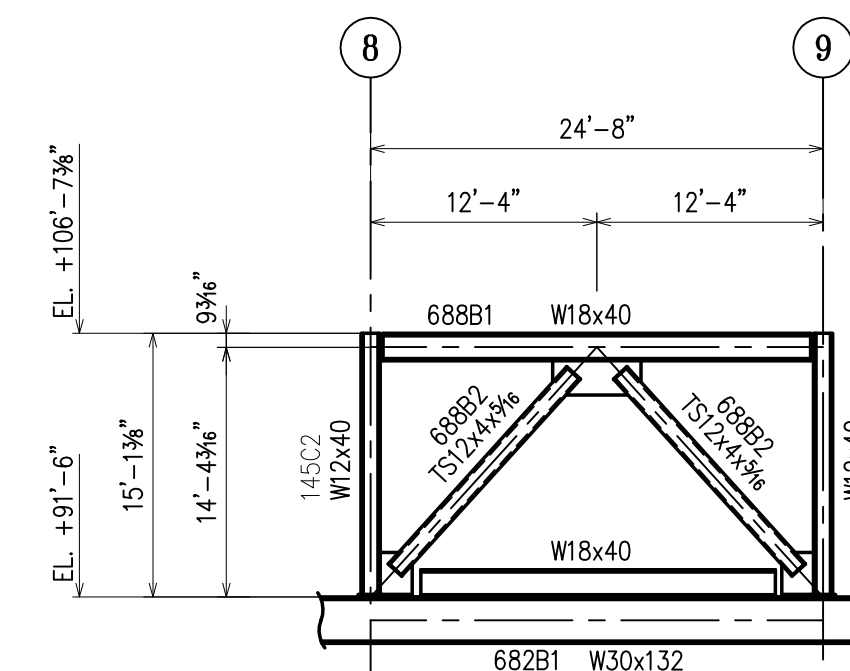
(@ COL LINE C)



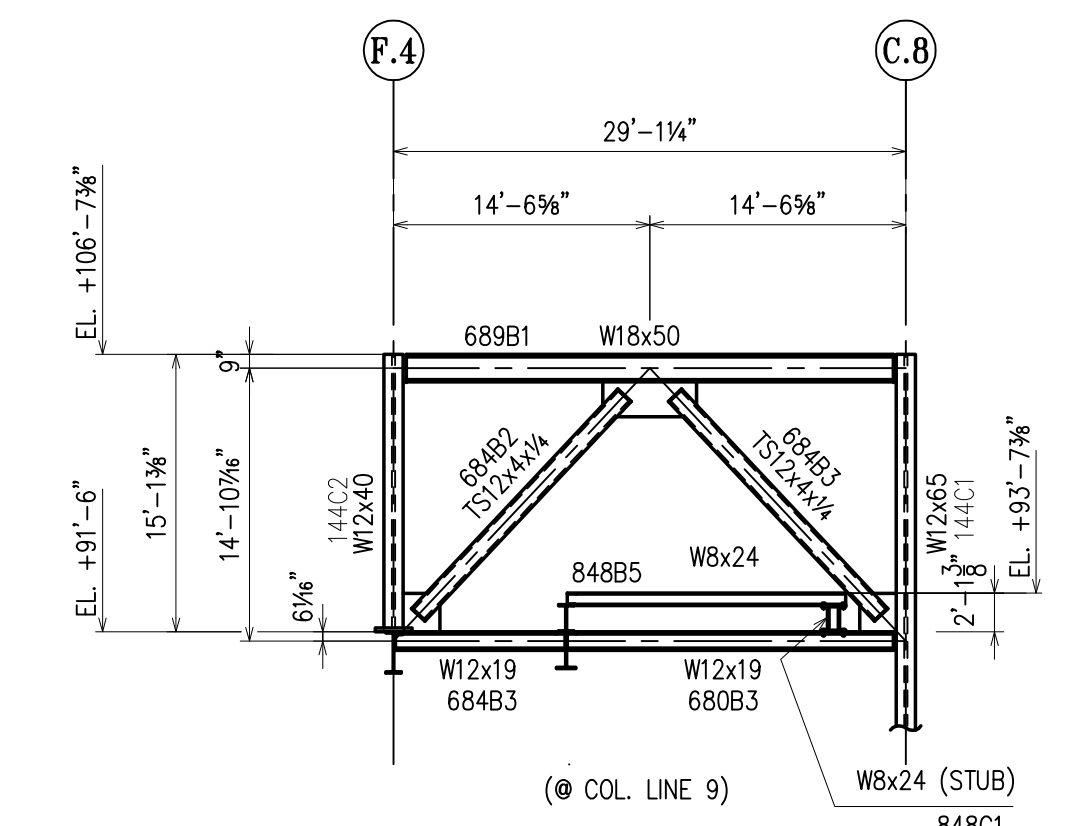
(@ COL LINE C.8)



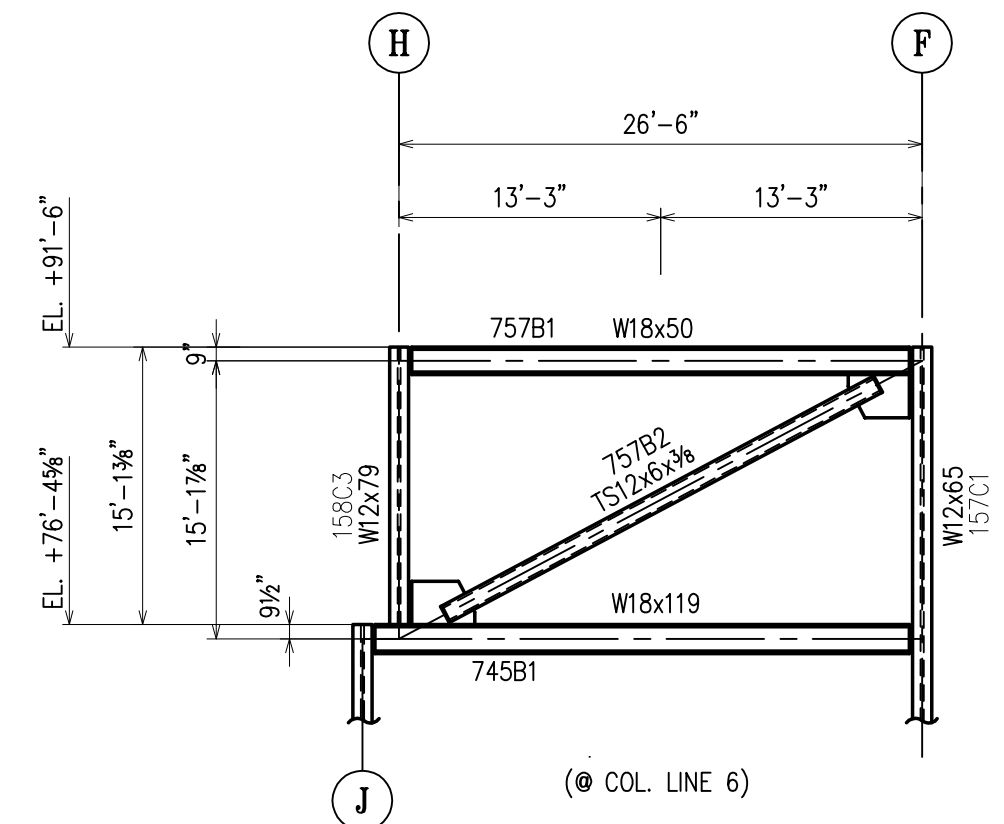
(@ COL LINE 8)



(@ COL LINE F.4)



(@ COL LINE 9)



(@ COL LINE 6)

APPROVAL/REVIEW AUTHORITY:
PLEASE REVIEW THIS DRAWING CAREFULLY. IT REPRESENTS OUR INTERPRETATION OF THE INTENT OF THE CONTRACT DOCUMENTS. HOWEVER, THE STEEL FABRICATOR AND THE STRUCTURAL STEEL DETAILER ASSUME NO RESPONSIBILITY FOR THE ACCURACY OF THE INFORMATION SHOWN ON THIS DRAWING. THIS IS THE RESPONSIBILITY OF THE BUYER.

IT WILL BE ASSUMED THAT ALL INFORMATION SHOWN HEREIN HAS THE AFFIRMATION OF THE APPROVAL AUTHORITY UNLESS NOTED TO THE CONTRARY ON THIS DRAWING WHEN IT IS RETURNED FOR APPROVAL.

SUBSEQUENT CHANGES TO INFORMATION SHOWN ON THESE DRAWINGS AFTER FIRST SUBMISSION WILL BE CONSIDERED AS CONTRACT CHANGES.

ADOPTED BY THE NATIONAL INSTITUTE OF STEEL DETAILING 1977.

DRAWINGS PREPARED BY:
DIVISION FIVE DETAILING INC.
1857 W. Landis Ave. Suite D
Vineland, New Jersey 08360
Phone: (856) 794-9474
Fax: (856) 696-2027

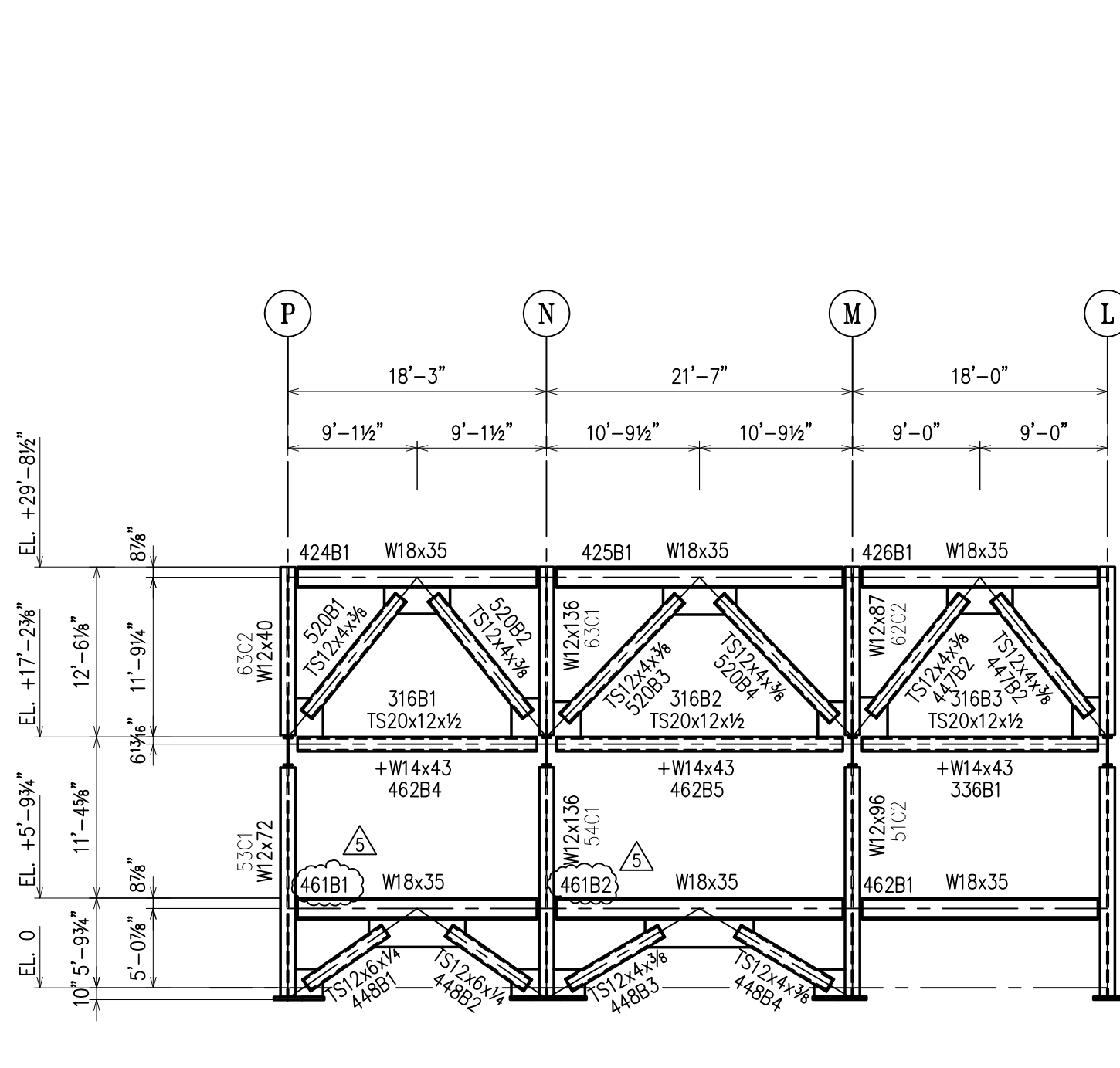
PAINT		ONE SHOP COAT U/NOTED		8/17	PER ADDENDUMS	1/8	PER ARCH/ENG
MATERIAL		GR.50 U/NOTED		8/13	ADD MARKINGS	11/30	PER APPVL
HOLES		13/16" U/NOTED		7/16	PER APPROVAL	10/26	FOR FIELD
ELECTRODES		E70XX		6/11	PER ENG.	10/10	PER ENG.
TOTAL WEIGHT		NO DATE		DESCRIPTION		NO DATE	
DIAG. REF #		NO DATE		DESCRIPTION		NO DATE	

REVISIONS			
DATE	Y/G	DESCRIPTION	BY
5/09/01			

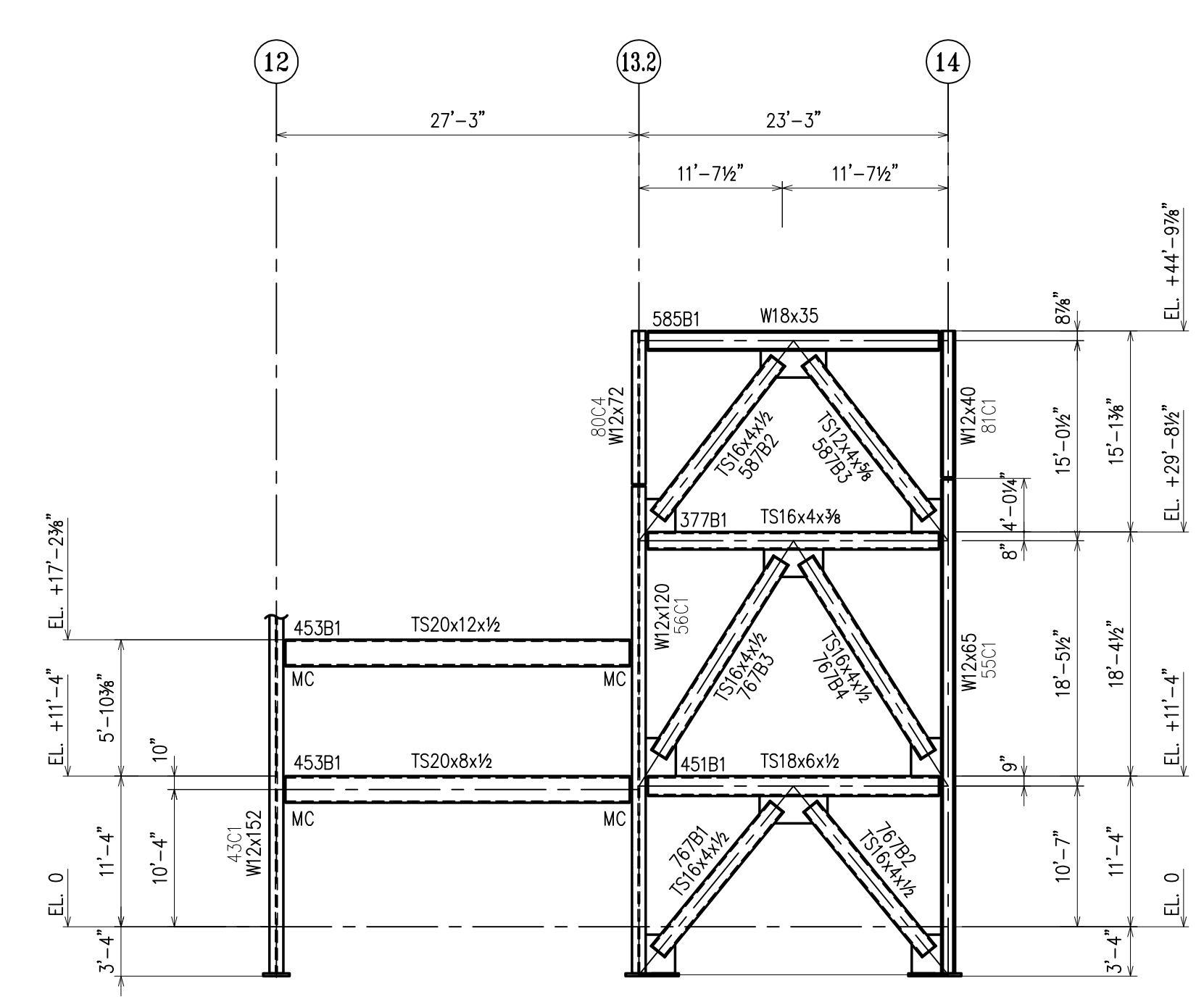
CONTRACT NO. S-616
DWG NO. E35

WEIR WELDING CO. INC.

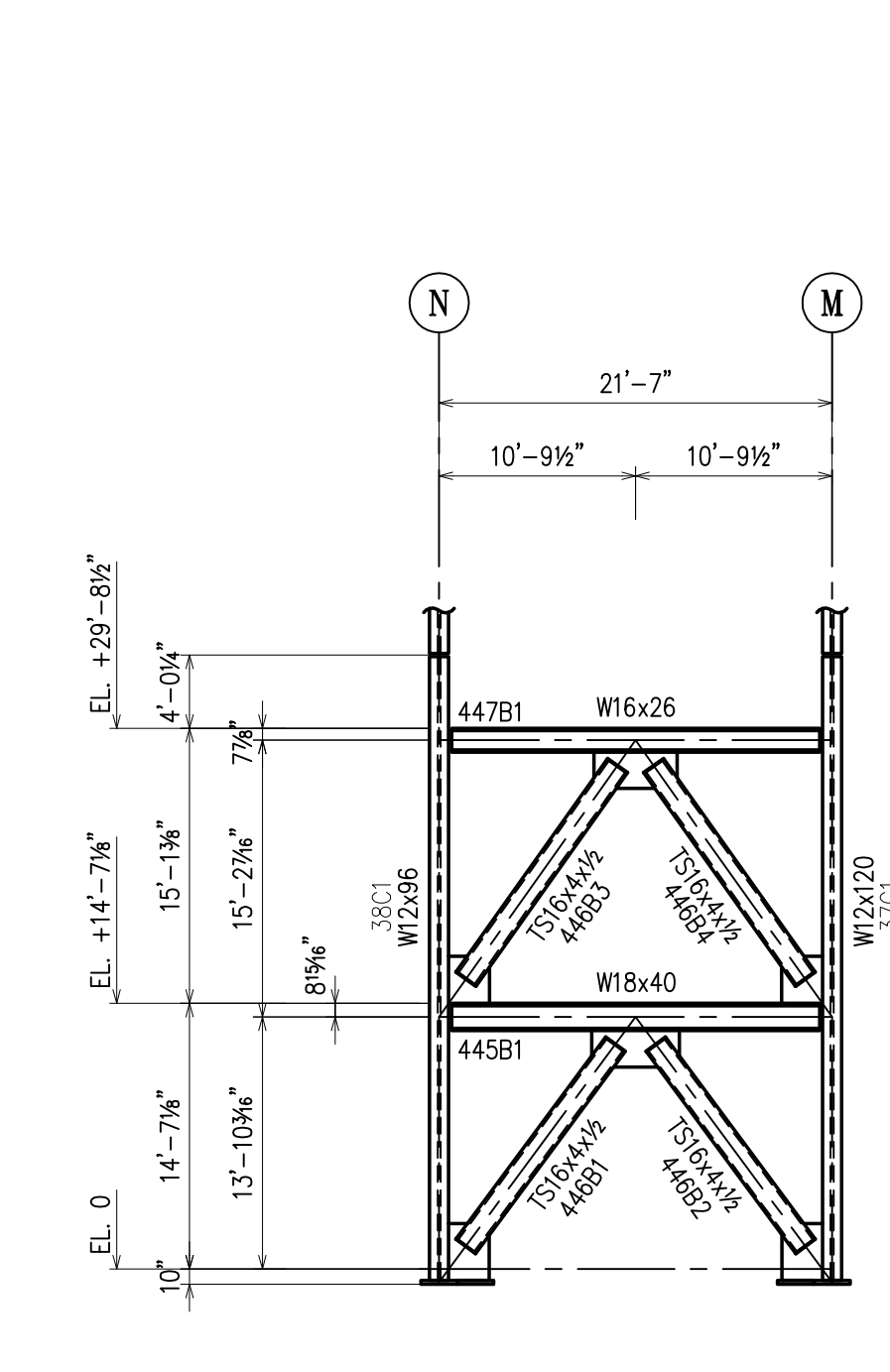
LAW ENFORCEMENT SCHOOL



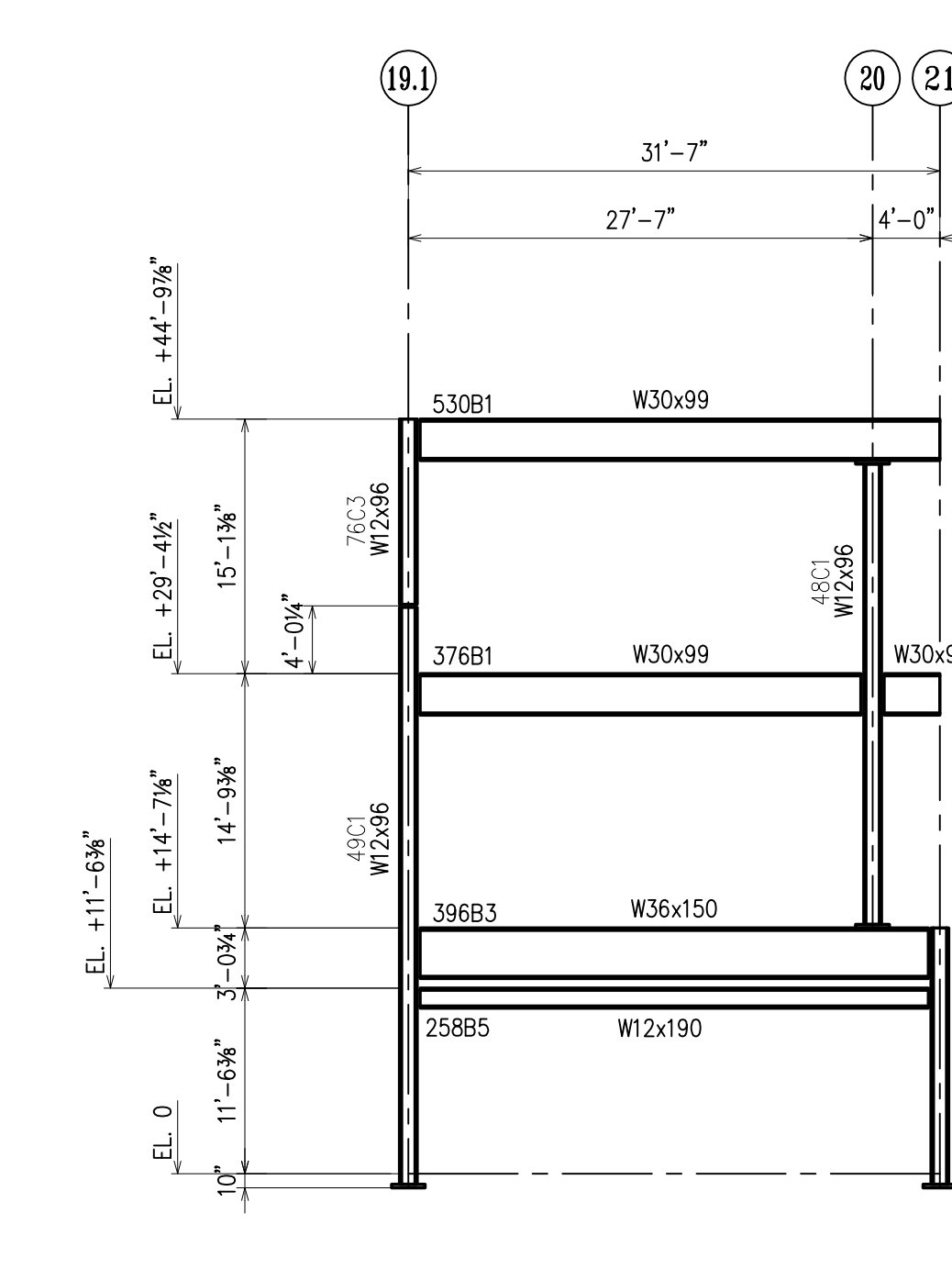
(@ COL LINE 9.7 / 9.8)



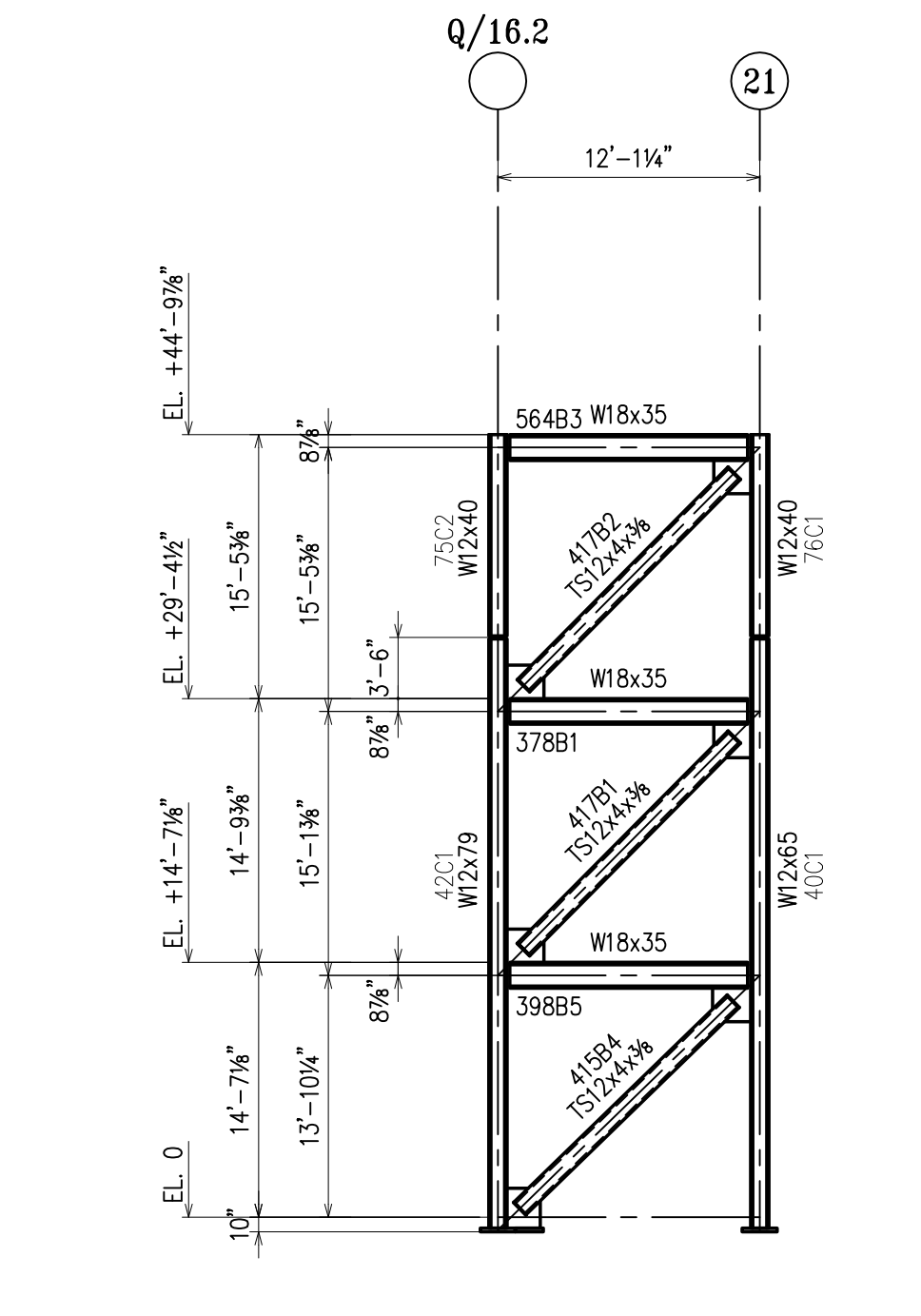
(@ COL LINE P)



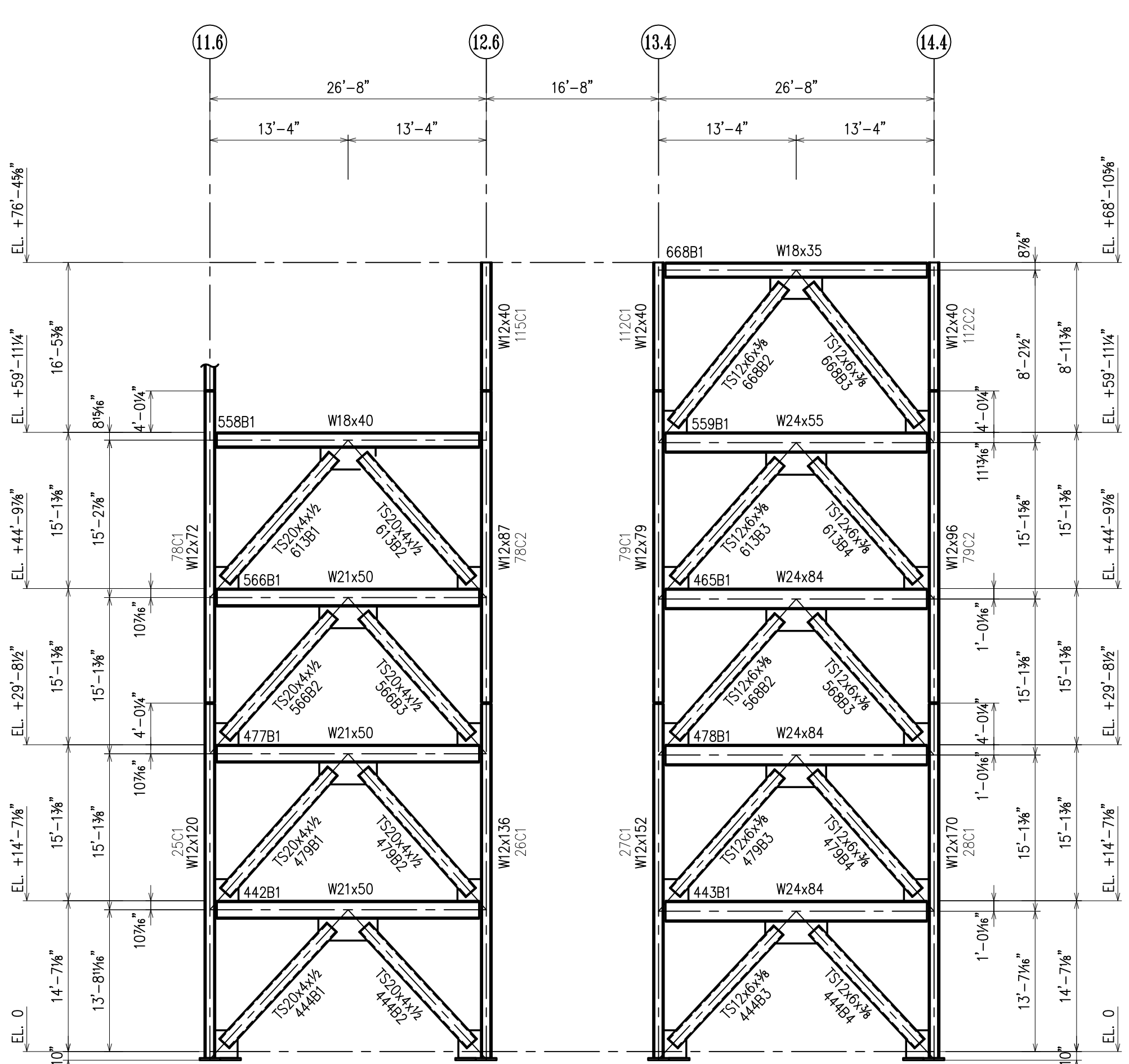
(@ COL LINE 14)



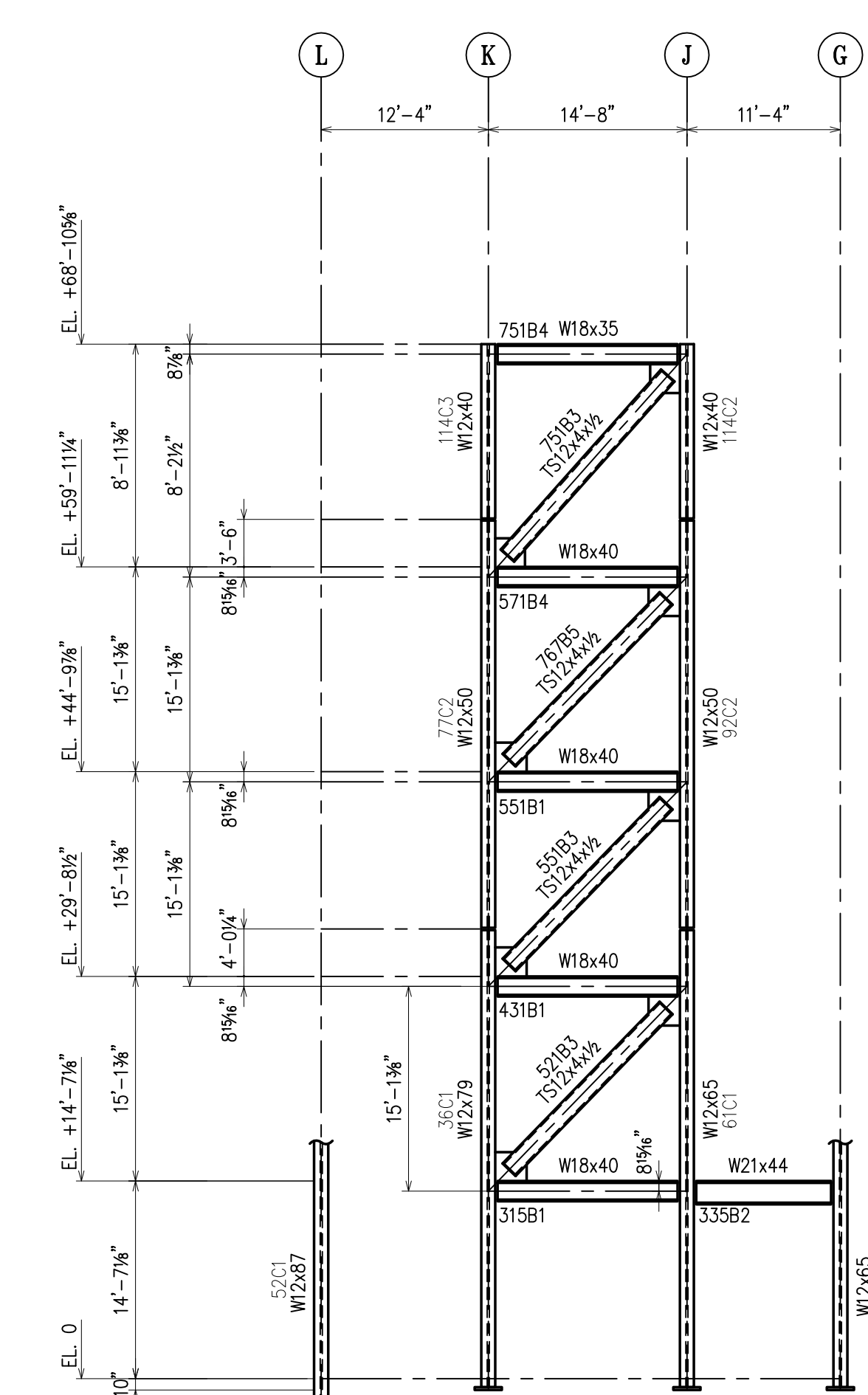
(@ COL LINE S)



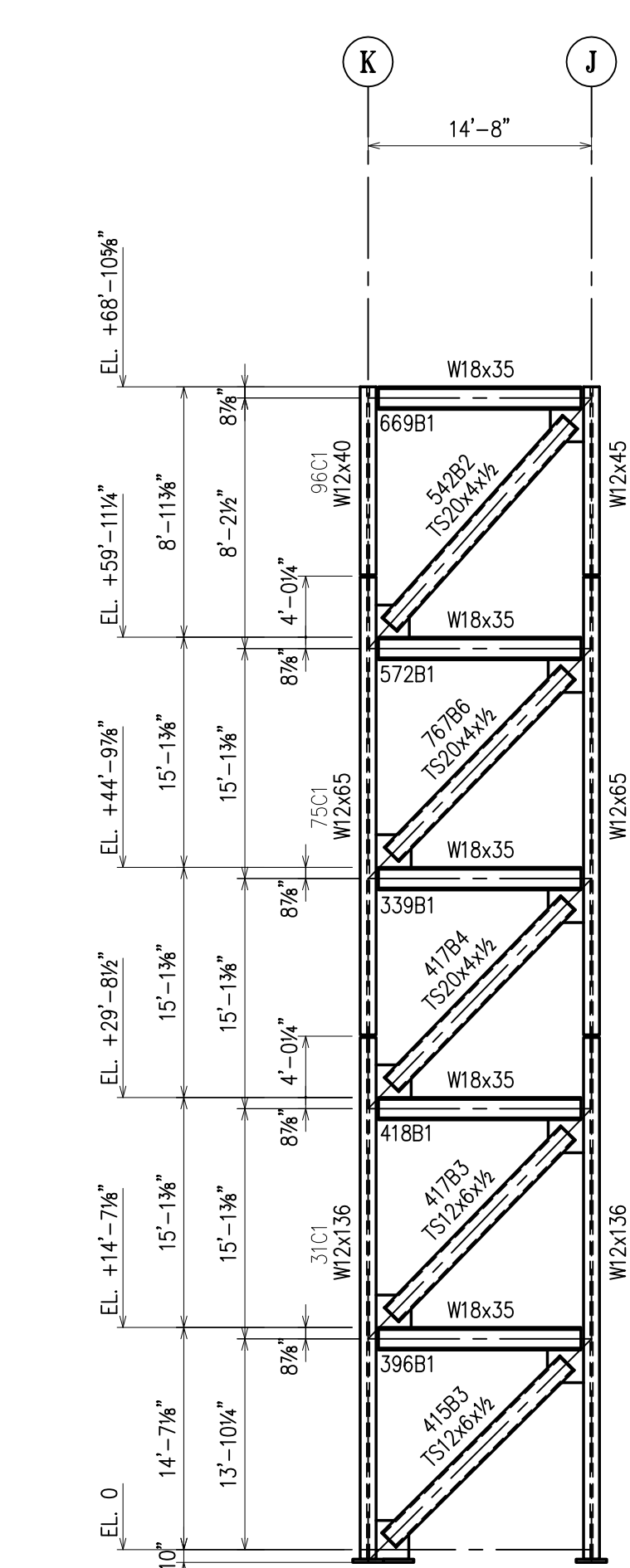
(@ COL LINE Q)



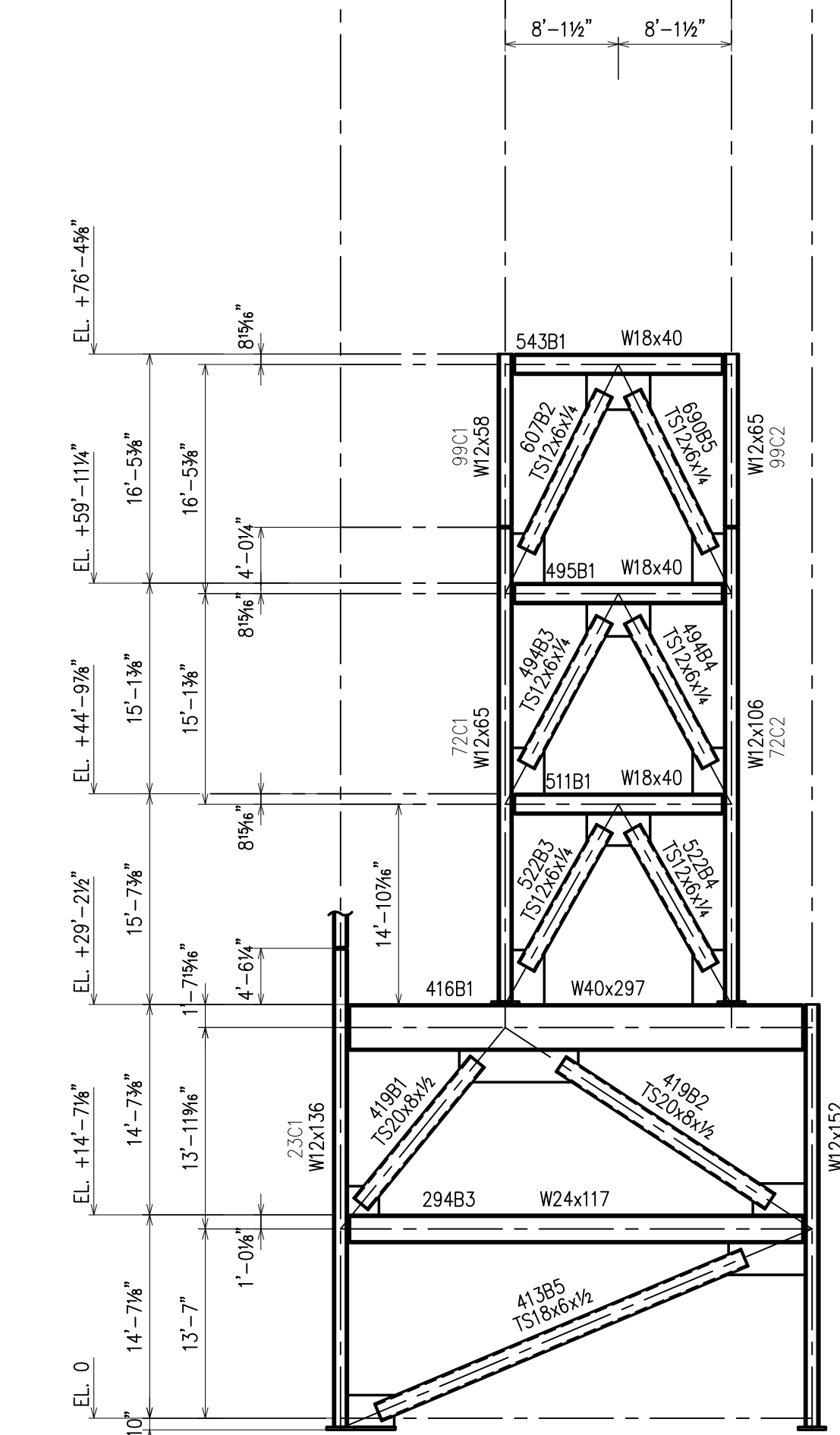
(@ COL LINE K)



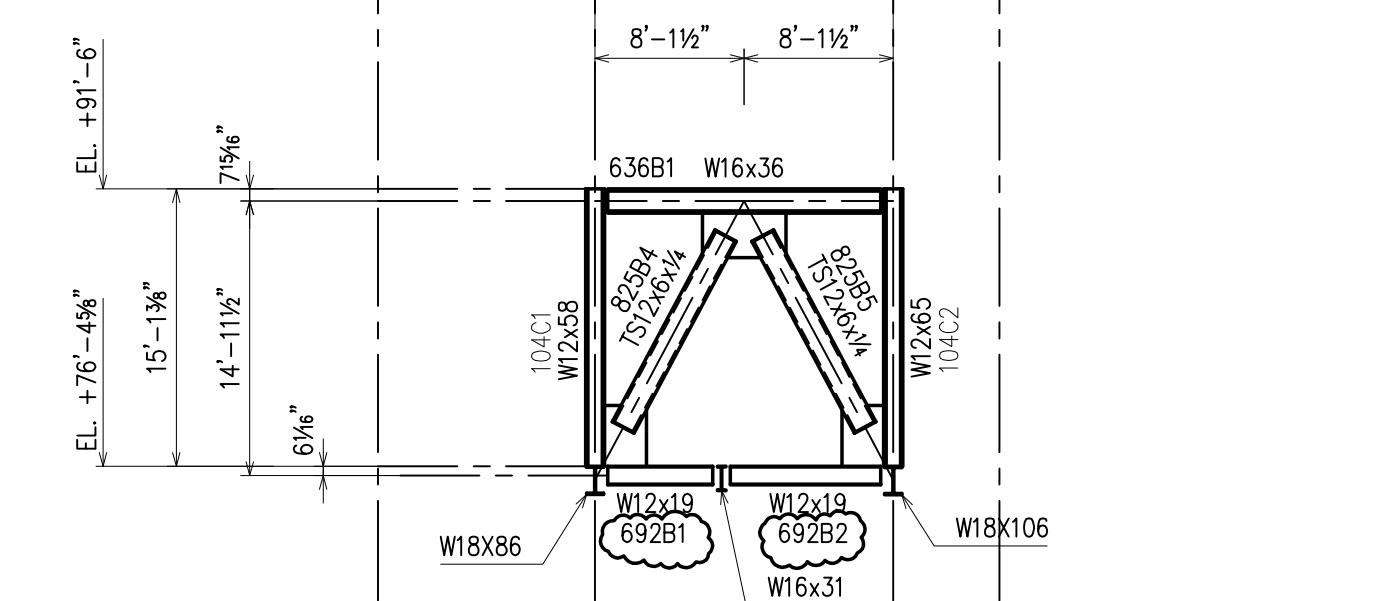
(@ COL LINE 11)



(@ COL LINE 15)



(@ COL LINE J)



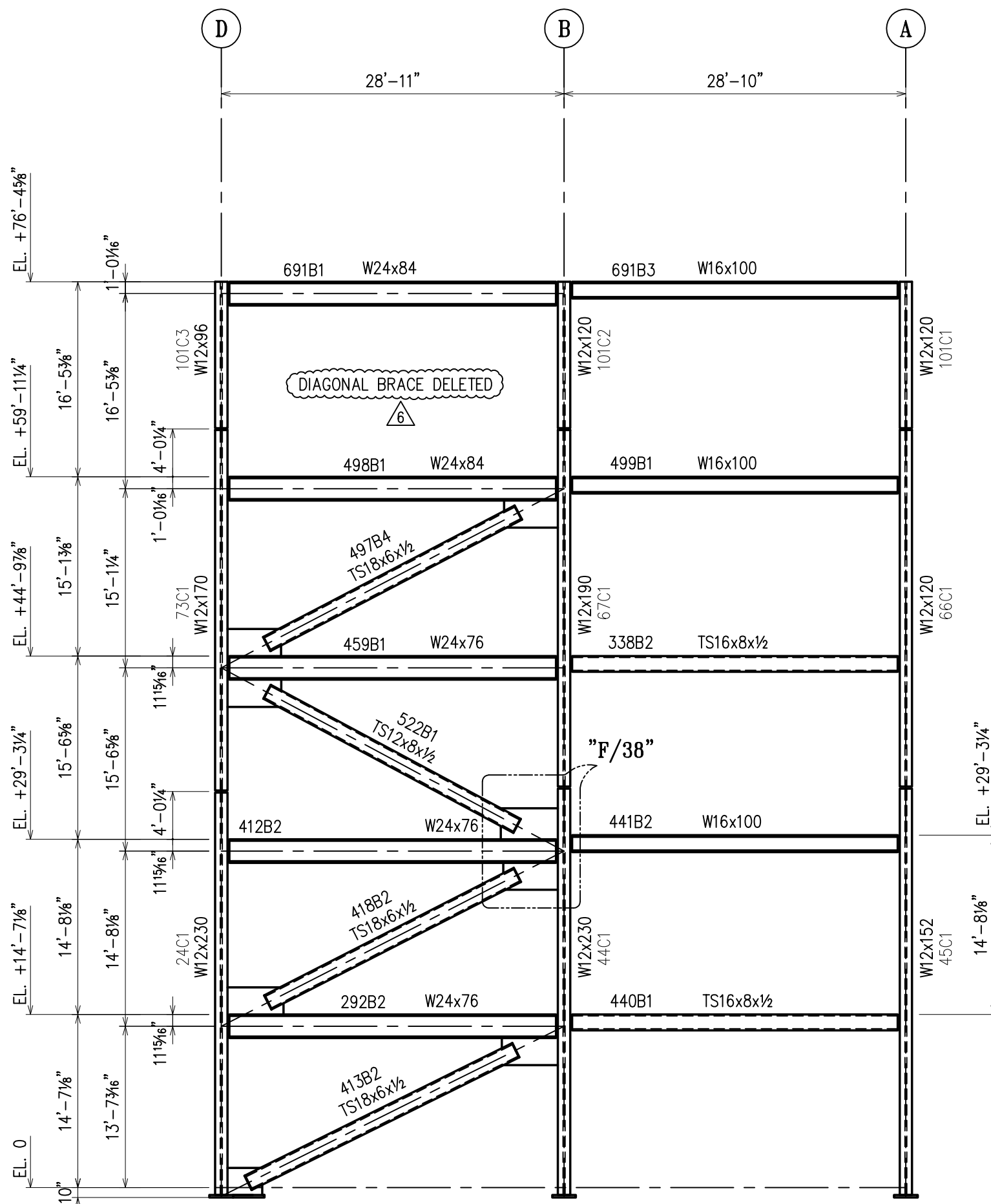
(@ COL LINE H)

APPROVAL/REVIEW AUTHORITY:
 IT REPRESENTS OUR INTERPRETATION OF THE INTENT OF THE CONTRACT DOCUMENTS. HOWEVER, THE STEEL FABRICATOR AND THE STRUCTURAL STEEL DETAILER ASSUME NO RESPONSIBILITY FOR THE ACCURACY OF THE INFORMATION SHOWN ON THIS DRAWING. THIS IS THE RESPONSIBILITY OF THE BUYER.
 IT WILL BE ASSUMED THAT ALL INFORMATION SHOWN HEREIN HAS THE AFFIRMATION OF THE APPROVAL AUTHORITY UNLESS NOTED TO THE CONTRARY ON THIS DRAWING WHEN IT IS RETURNED FOR APPROVAL.
 SUBSEQUENT CHANGES TO INFORMATION SHOWN ON THESE DRAWINGS AFTER FIRST SUBMISSION WILL BE CONSIDERED AS CONTRACT CHANGES.
 ADOPTED BY THE NATIONAL INSTITUTE OF STEEL DETAILING 1977.

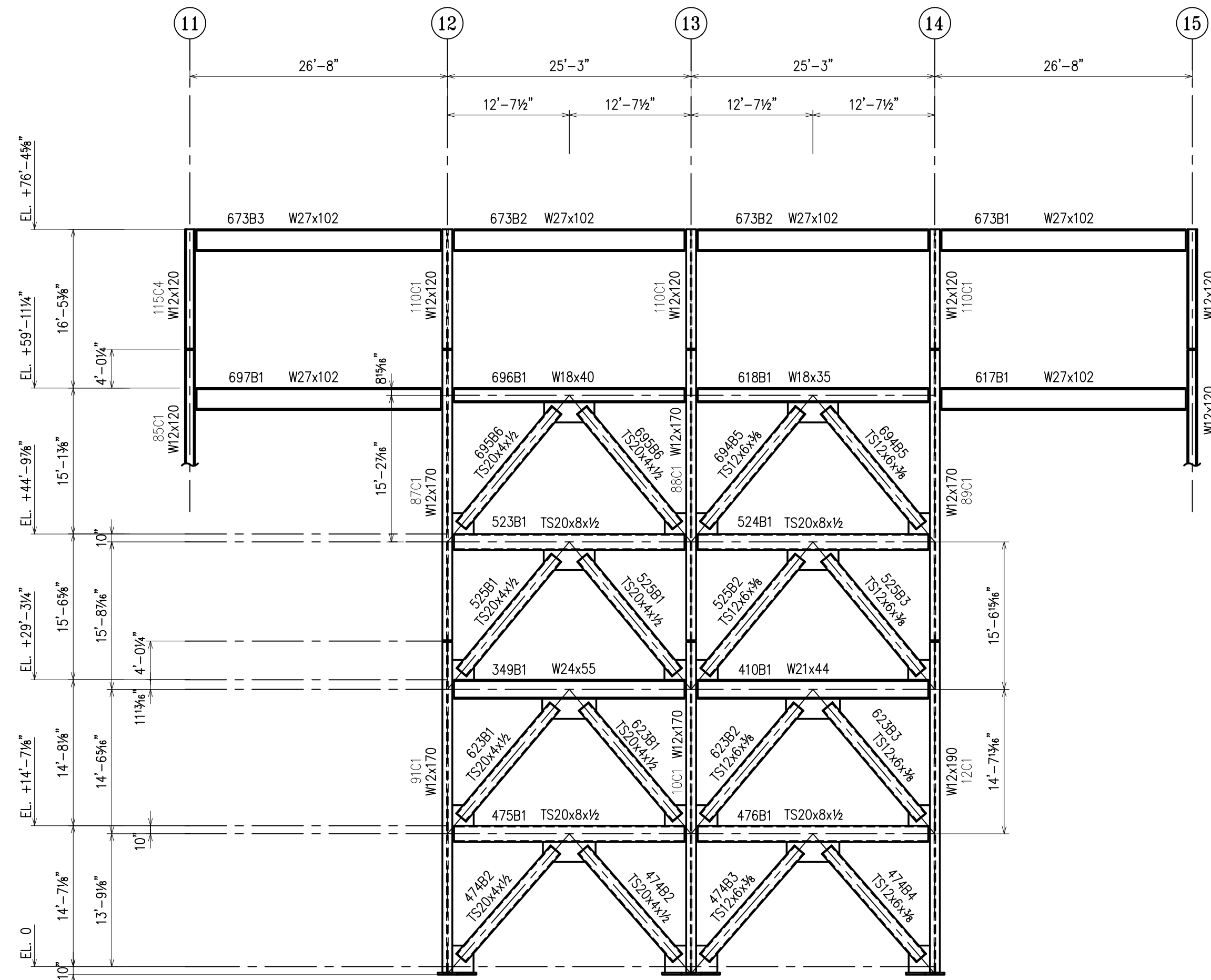
DRAWINGS PREPARED BY:
 DIVISION FIVE DETAILING INC.
 1770 Gallagher Drive
 Vineland, New Jersey 08360
 Phone: (856) 794-9474
 Fax: (856) 696-2027

DIAG. REF #	NO	DATE	DESCRIPTION	NO	DATE	DESCRIPTION
	10/26		PER CHECK/FIELD			
	8/17		PER ADDENDUM			
	7/18		PER ENGINEER			
	7/16		PER APPROVAL	10/31		PMCK REV.

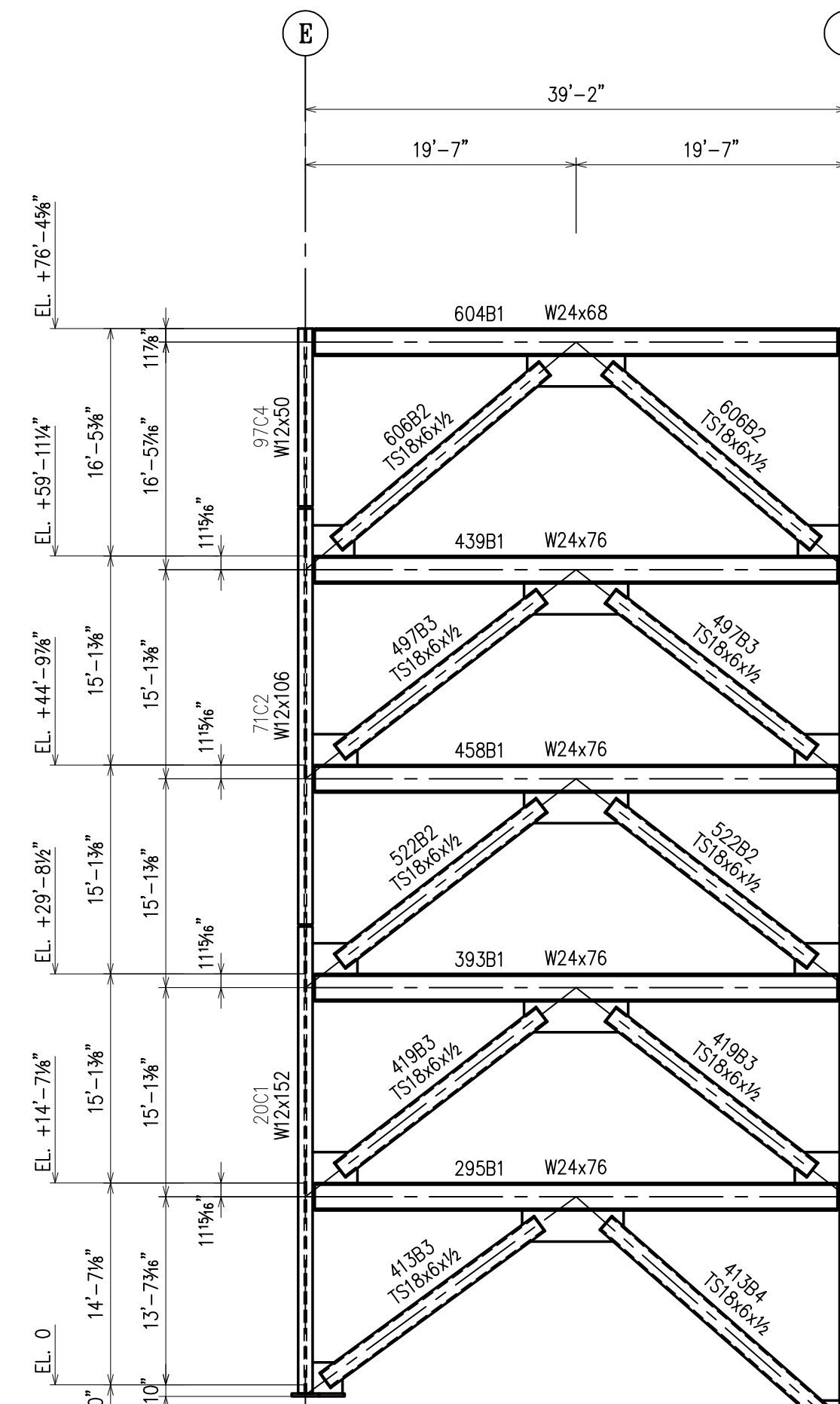
WEIR WELDING CO. INC.
 LAW ENFORCEMENT SCHOOL
 CONTRACT NO S-616
 DWG NO E36



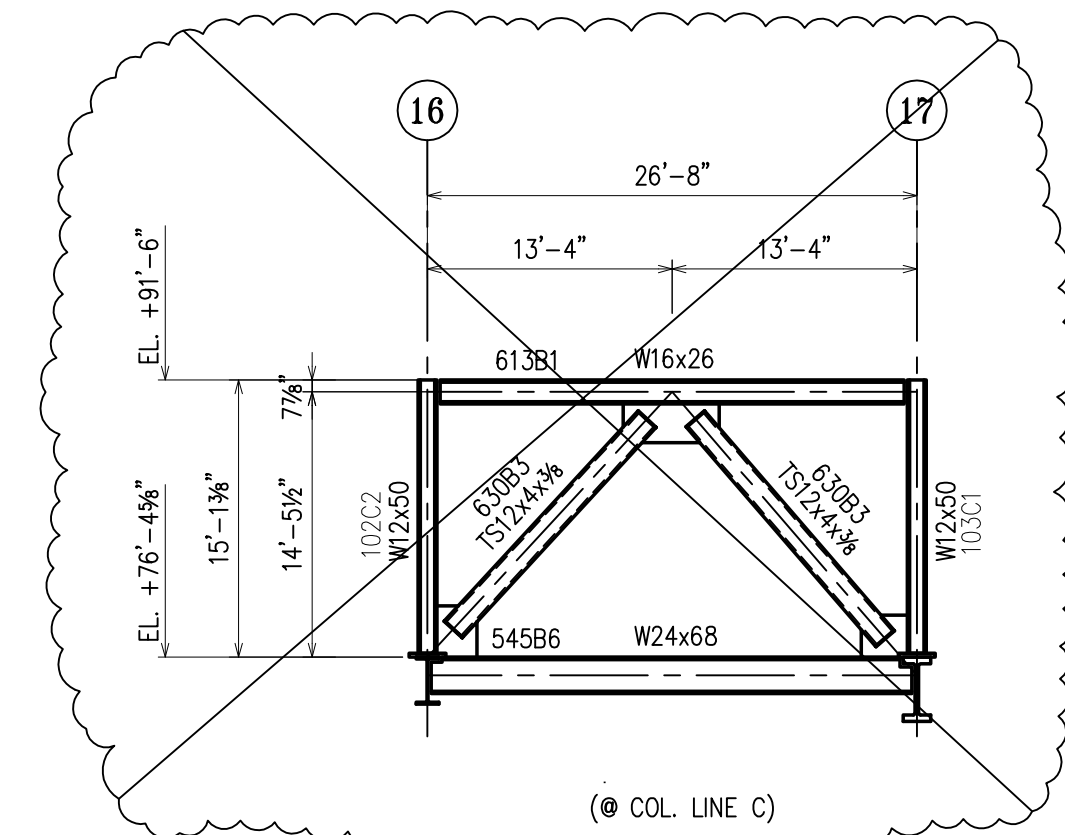
(@ COL. LINE 15)



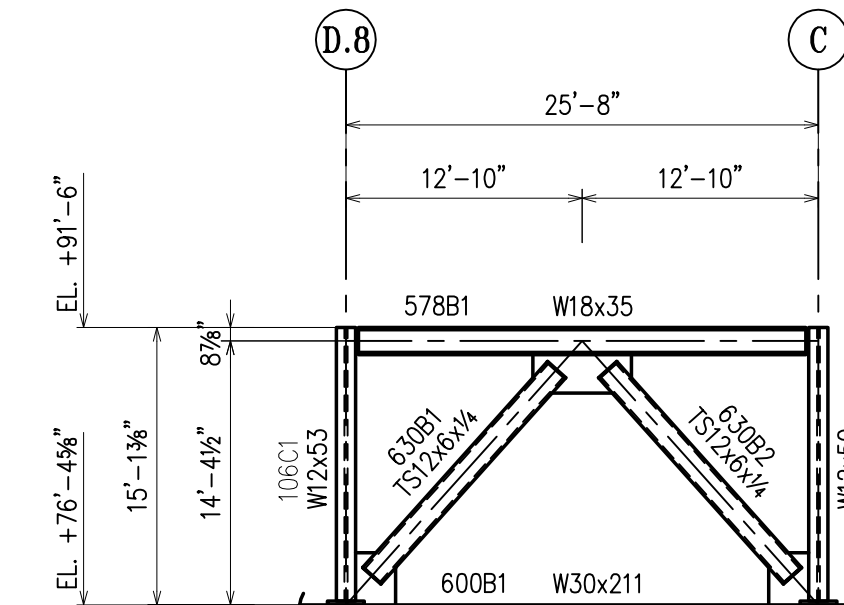
(@ COL. LINE A)



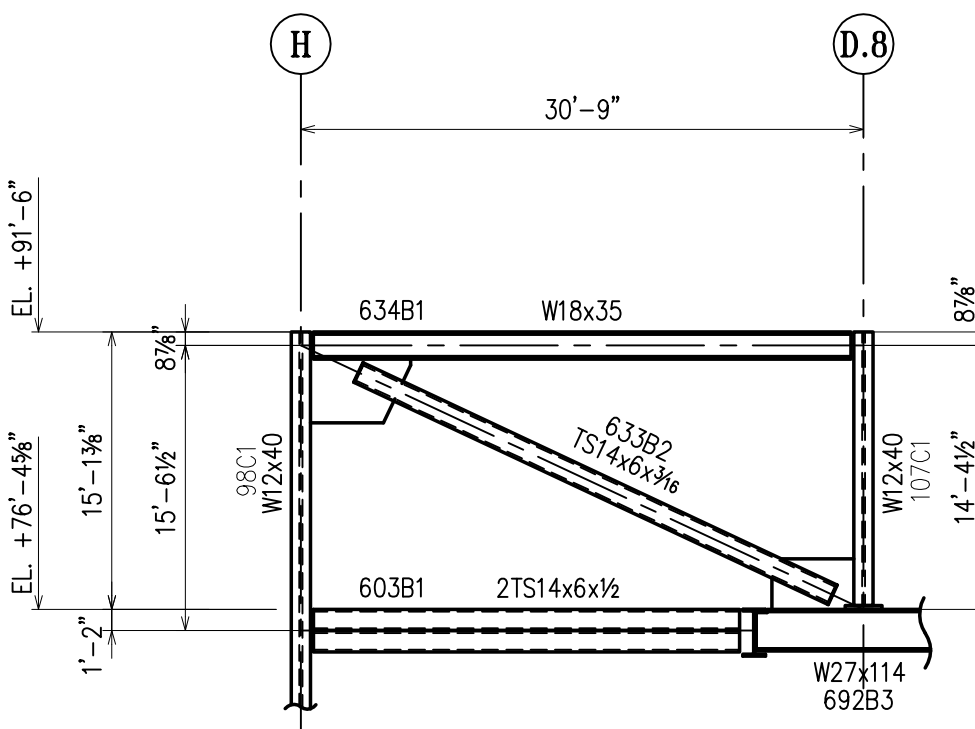
(@ COL. LINE 18)



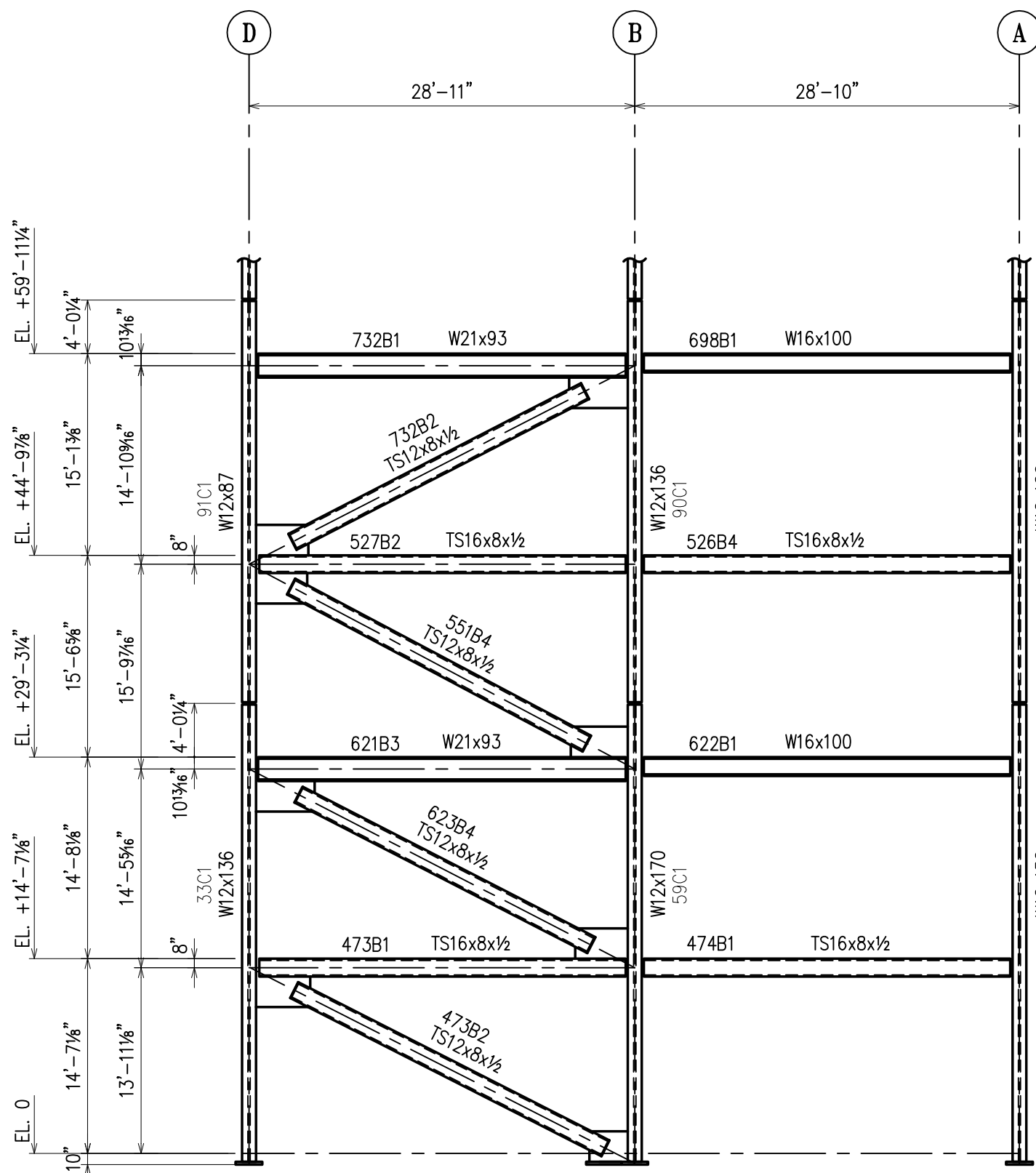
(@ COL. LINE C)



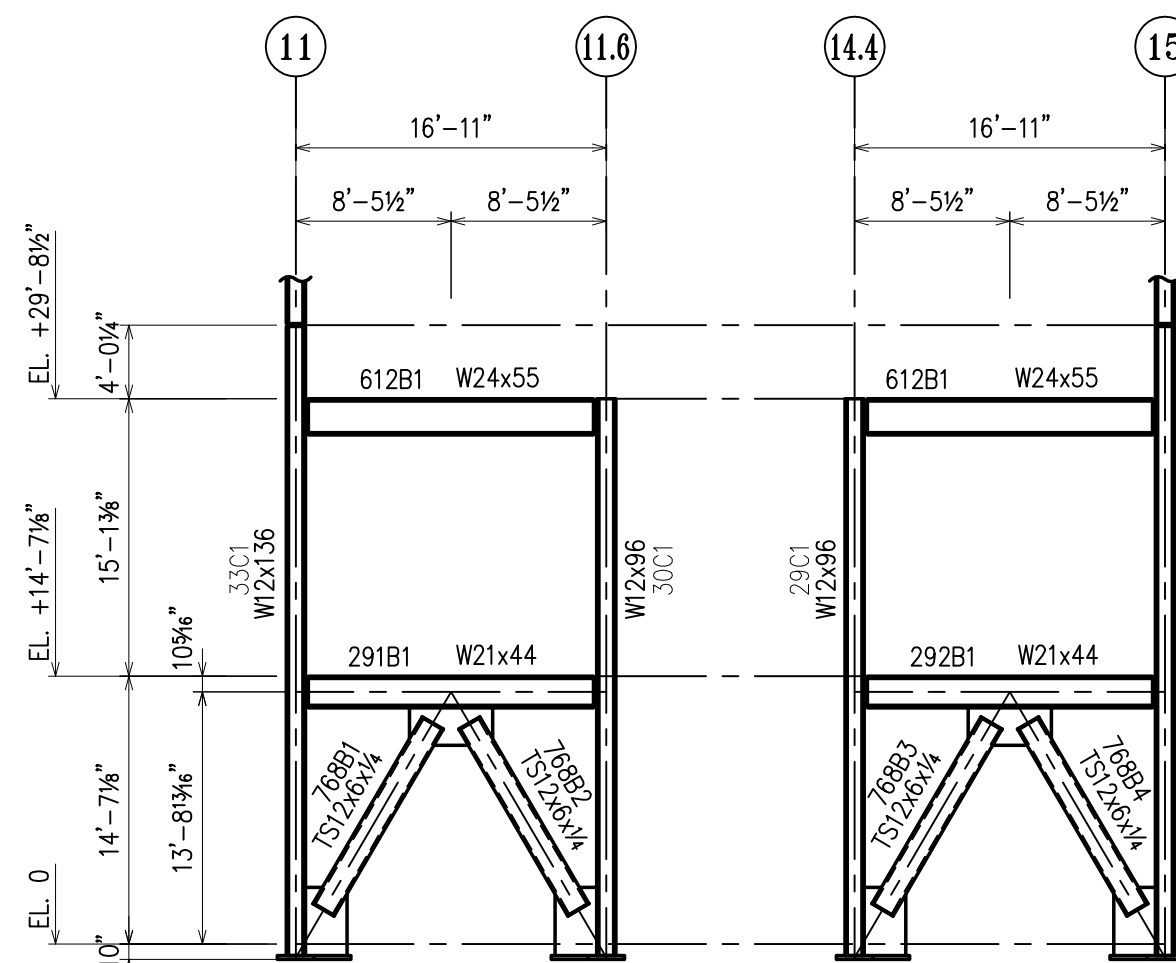
(@ COL. LINE 15.2)



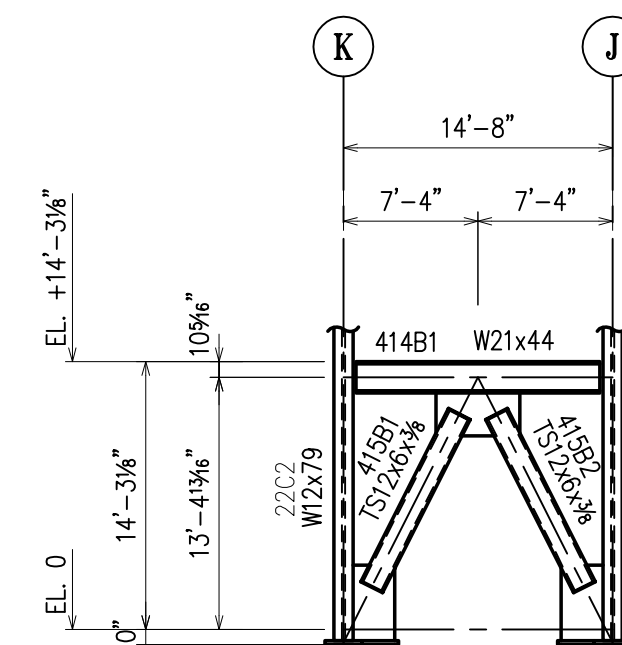
(@ COL. LINE 17.4)



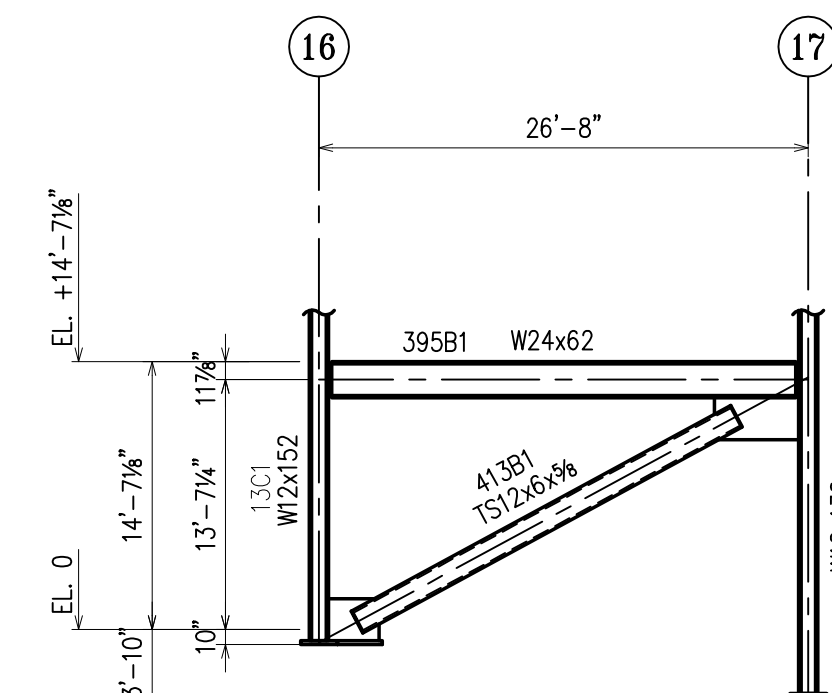
(@ COL. LINE 11)



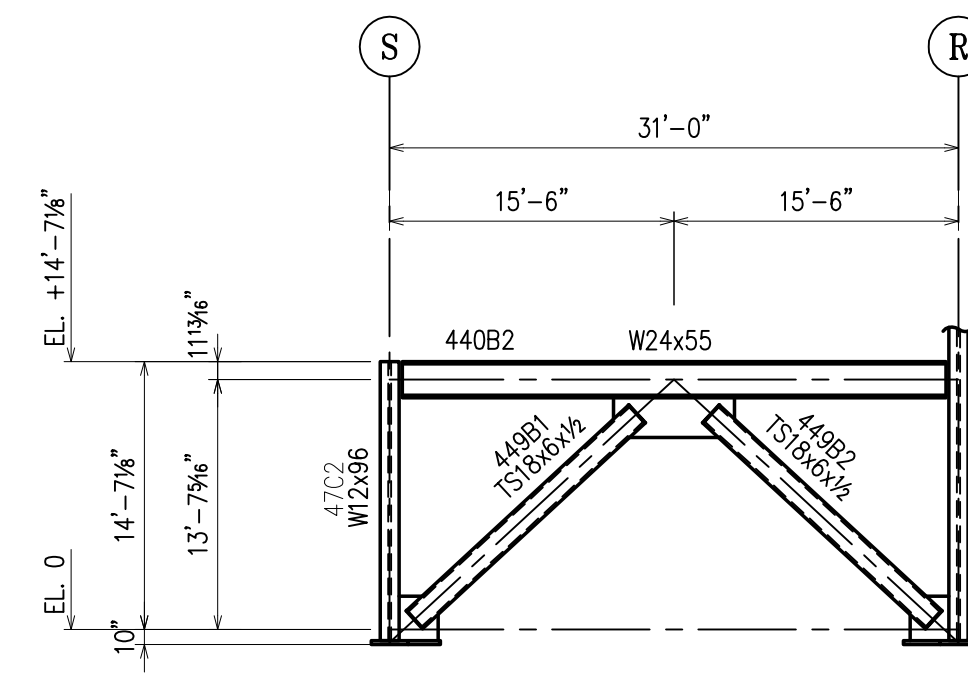
(@ COL. LINE D)



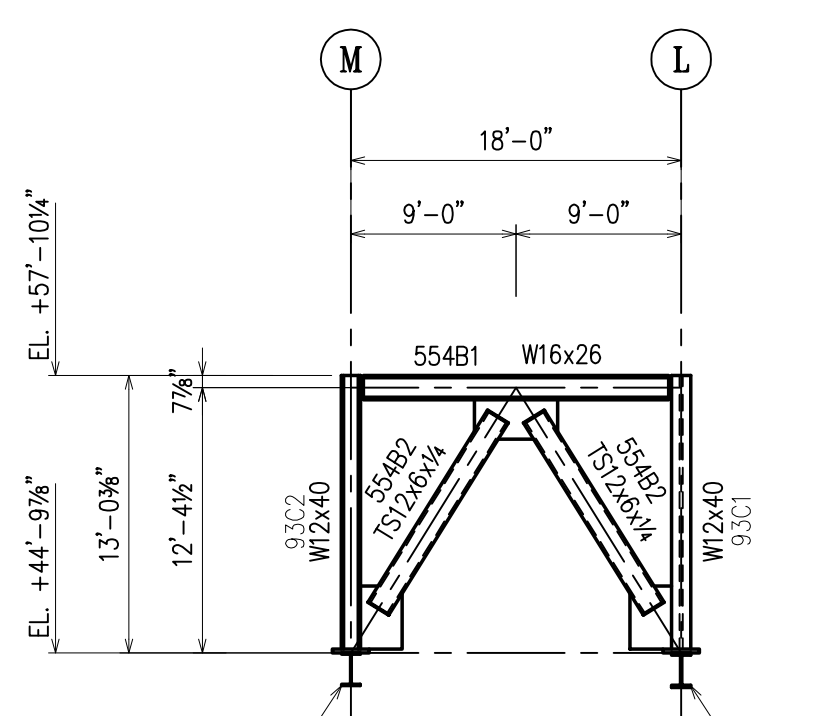
(@ COL. LINE 16.2)



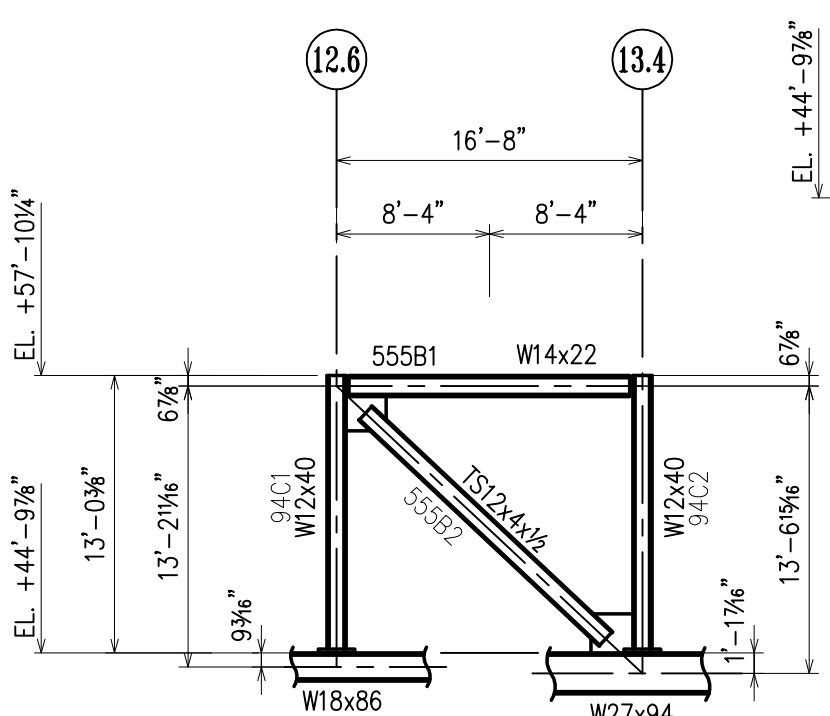
(@ COL. LINE B)



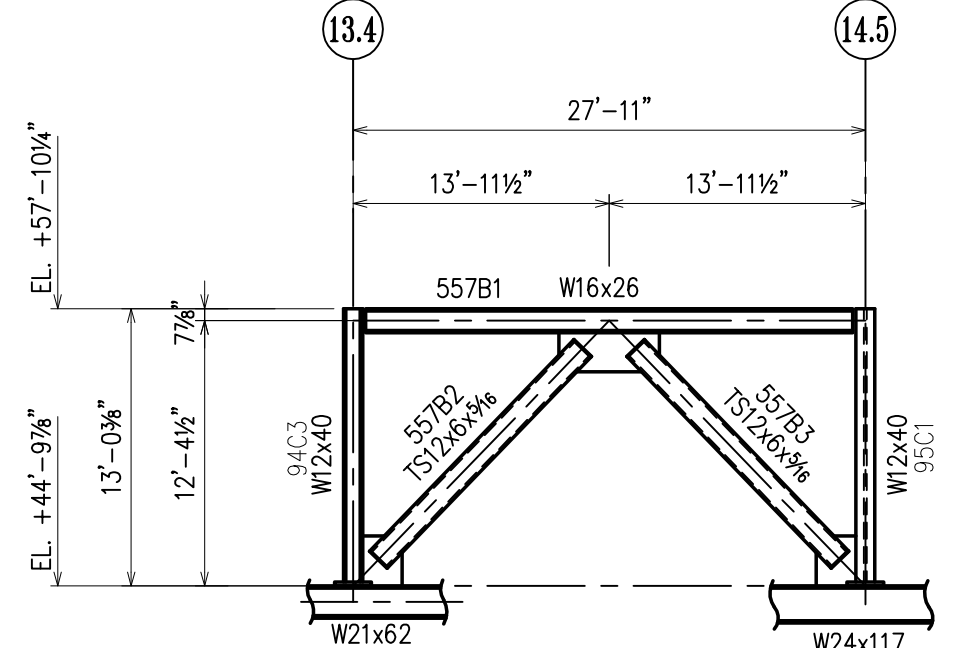
(@ COL. LINE 21)



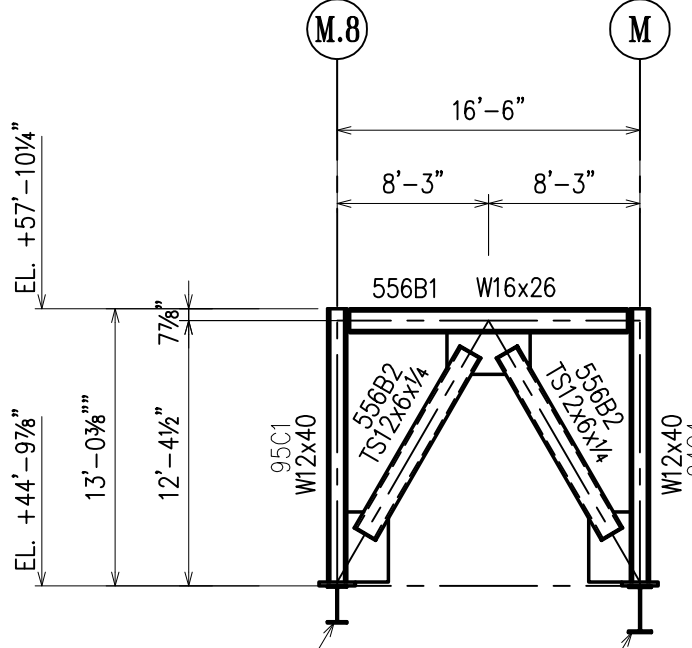
(@ COL. LINE 11.7)



(@ COL. LINE L)



(@ COL. LINE M.8)



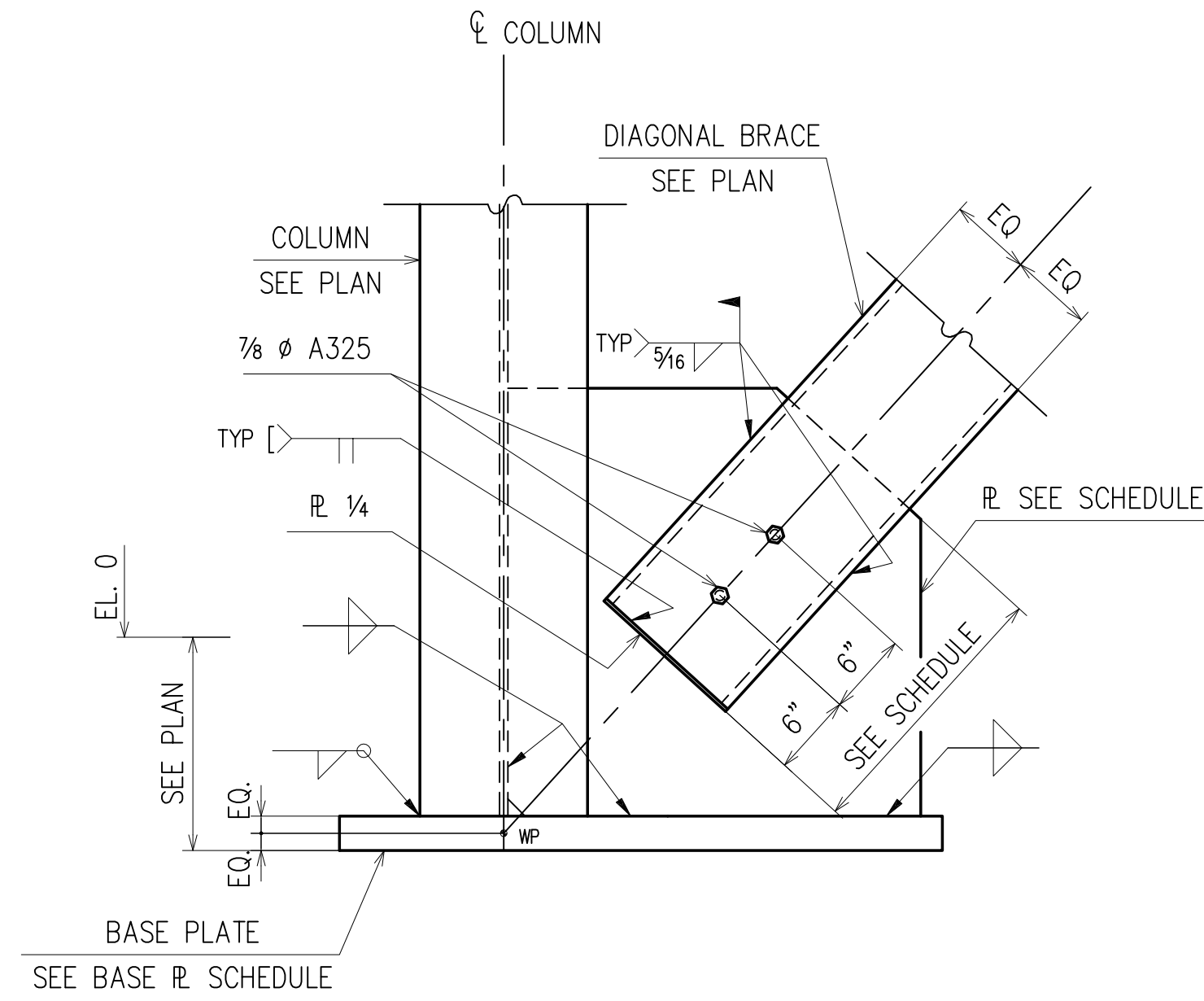
(@ COL. LINE 14.5)

APPROVAL/REVIEW AUTHORITY:
PLEASE REVIEW THIS DRAWING CAREFULLY.
IT REPRESENTS OUR INTERPRETATION OF THE INTENT OF THE CONTRACT DOCUMENTS. HOWEVER, THE STEEL FABRICATOR AND THE STRUCTURAL STEEL DETAILER ASSUME NO RESPONSIBILITY FOR THE ACCURACY OF THE INFORMATION SHOWN ON THIS DRAWING. THIS IS THE RESPONSIBILITY OF THE BUYER.
IT WILL BE ASSUMED THAT ALL INFORMATION SHOWN HEREIN HAS THE AFFIRMATION OF THE APPROVAL AUTHORITY UNLESS NOTED TO THE CONTRARY ON THIS DRAWING WHEN IT IS RETURNED FROM APPROVAL.
SUBSEQUENT CHANGES TO INFORMATION SHOWN ON THESE DRAWINGS AFTER FIRST SUBMISSION WILL BE CONSIDERED AS CONTRACT CHANGES.
ADOPTED BY THE NATIONAL INSTITUTE OF STEEL DETAILING 1977.

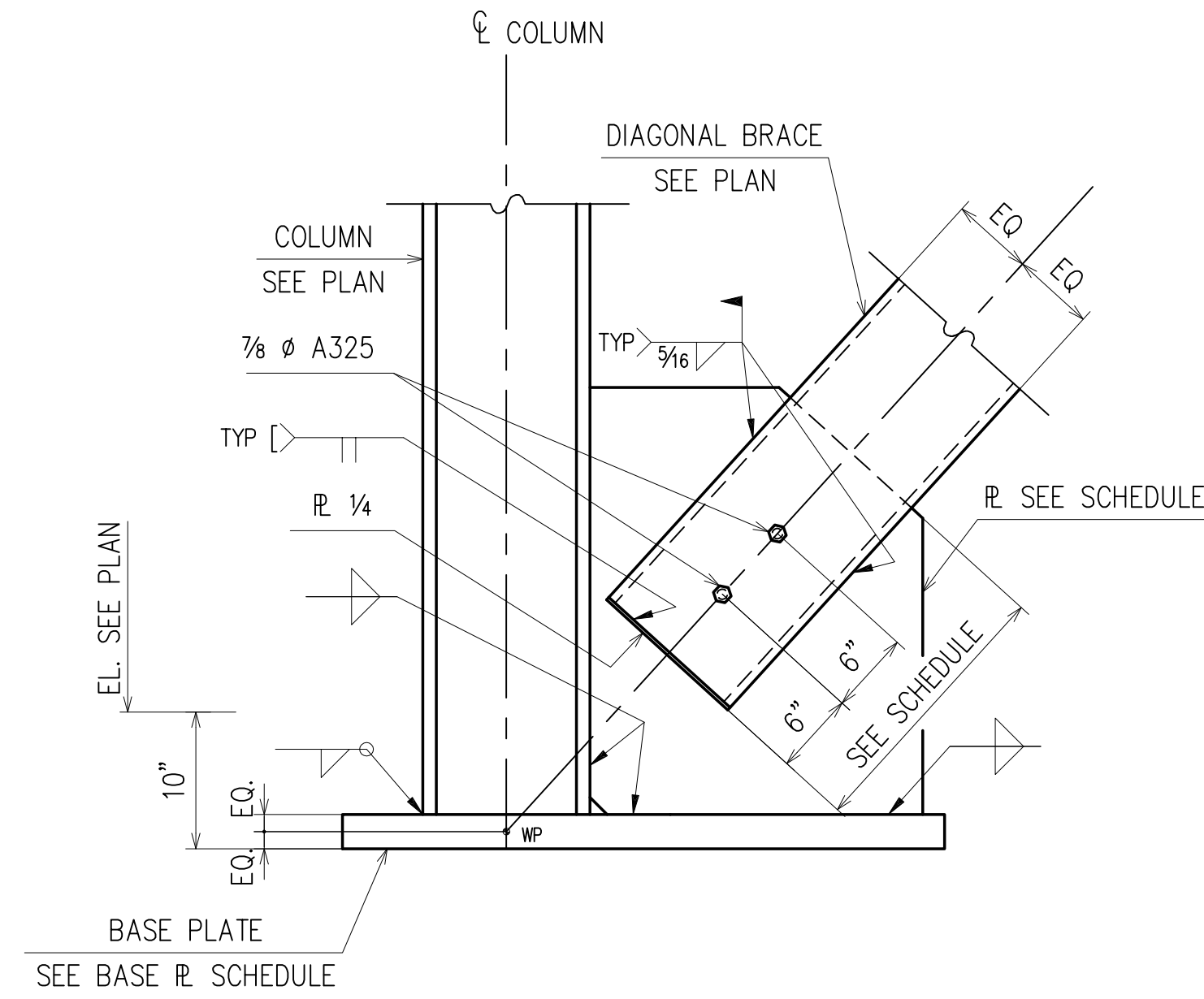
DRAWINGS PREPARED BY:
DIVISION FIVE DETAILING INC.
1857 W. Landis Ave. Suite D
Vineland, New Jersey 08360
Phone: (856) 794-9474
Fax: (856) 696-2027

PAIN	ONE SHOP COAT U/NOTED	9/11	PER ENGINEER		
MATERIAL	GR.50 U/NOTED	9/06	PER ENGINEER		
HOLES	13/16" U/NOTED	8/17	PER ADDENDUM	11/30	PER ARCH./ENG.
ELECTRODES	E70XX	7/16	PER APPROVAL	10/26	PER CHECK/FIELD
TOTAL WEIGHT					
DIAG. REF #					
REVISIONS					
DRAWING PREPARED BY:					
DIVISION FIVE DETAILING INC.					
1857 W. Landis Ave. Suite D					
Vineland, New Jersey 08360					
Phone: (856) 794-9474					
Fax: (856) 696-2027					
DRAFTER	YG	LAW ENFORCEMENT SCHOOL			
DATE	5/10/01	CONTRACT NO			
CHECKED	D5	S-616			
DATE	10/26/01	DWG NO			
E37					

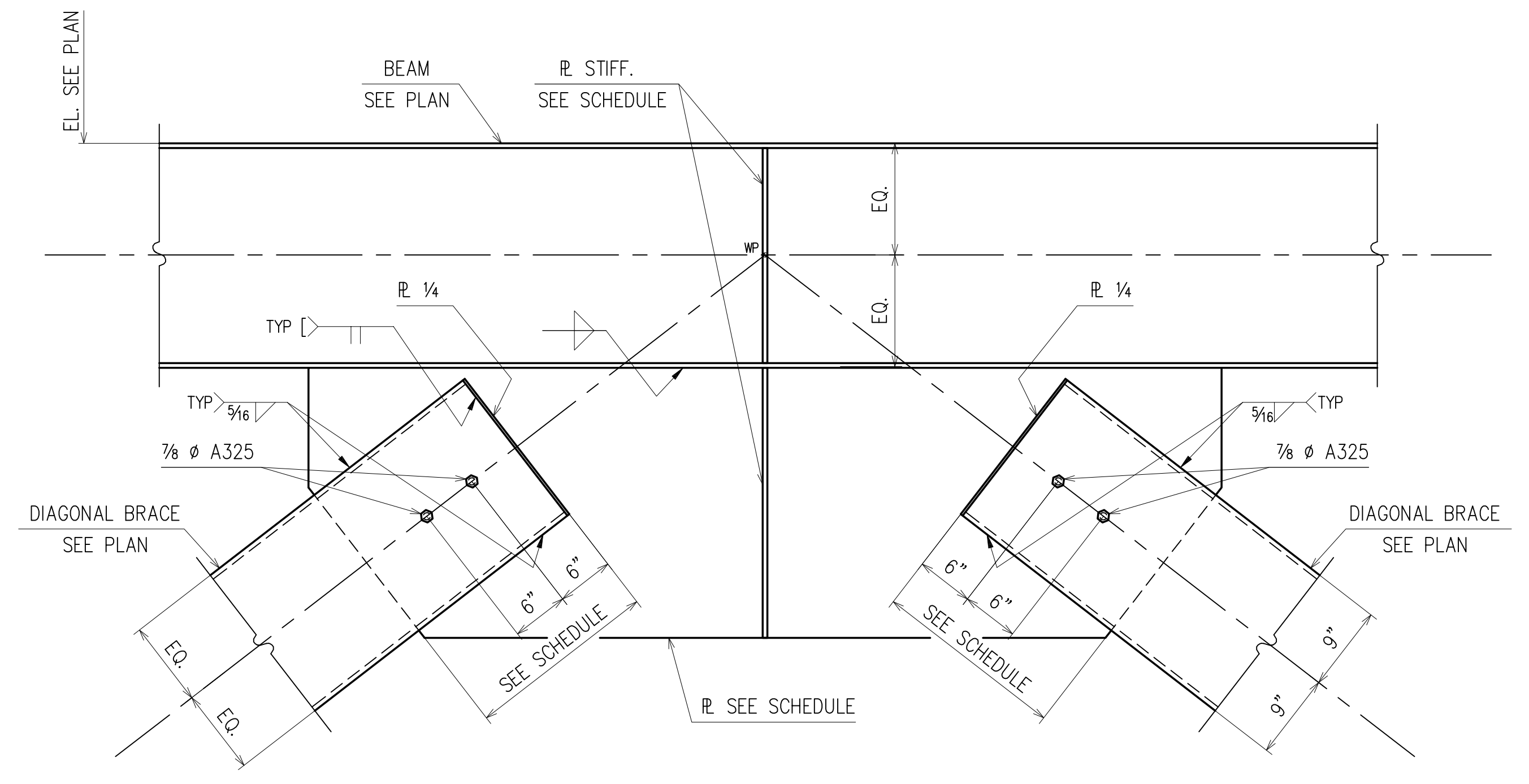
WEIR WELDING CO. INC.



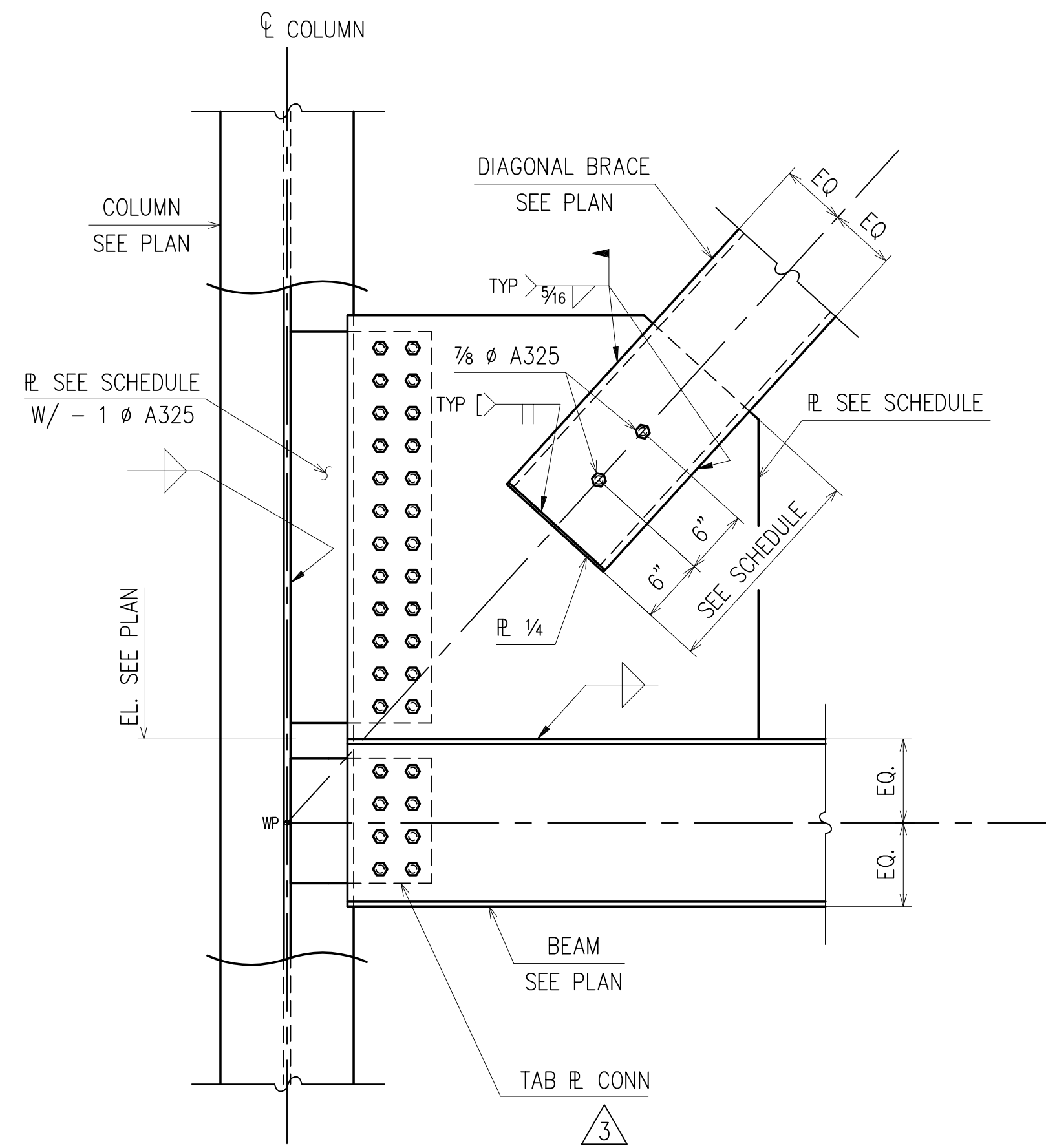
(TYP)



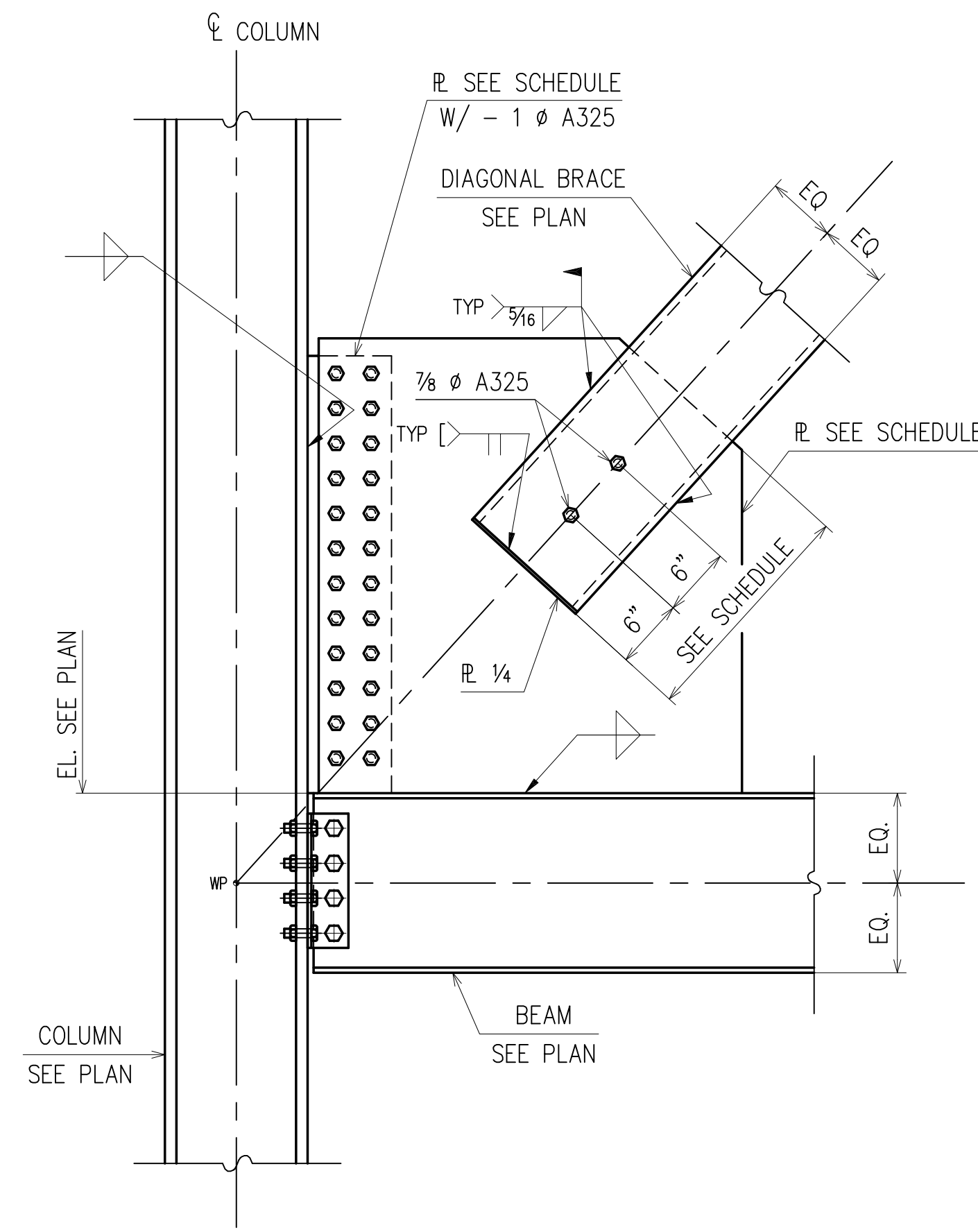
(TYP)



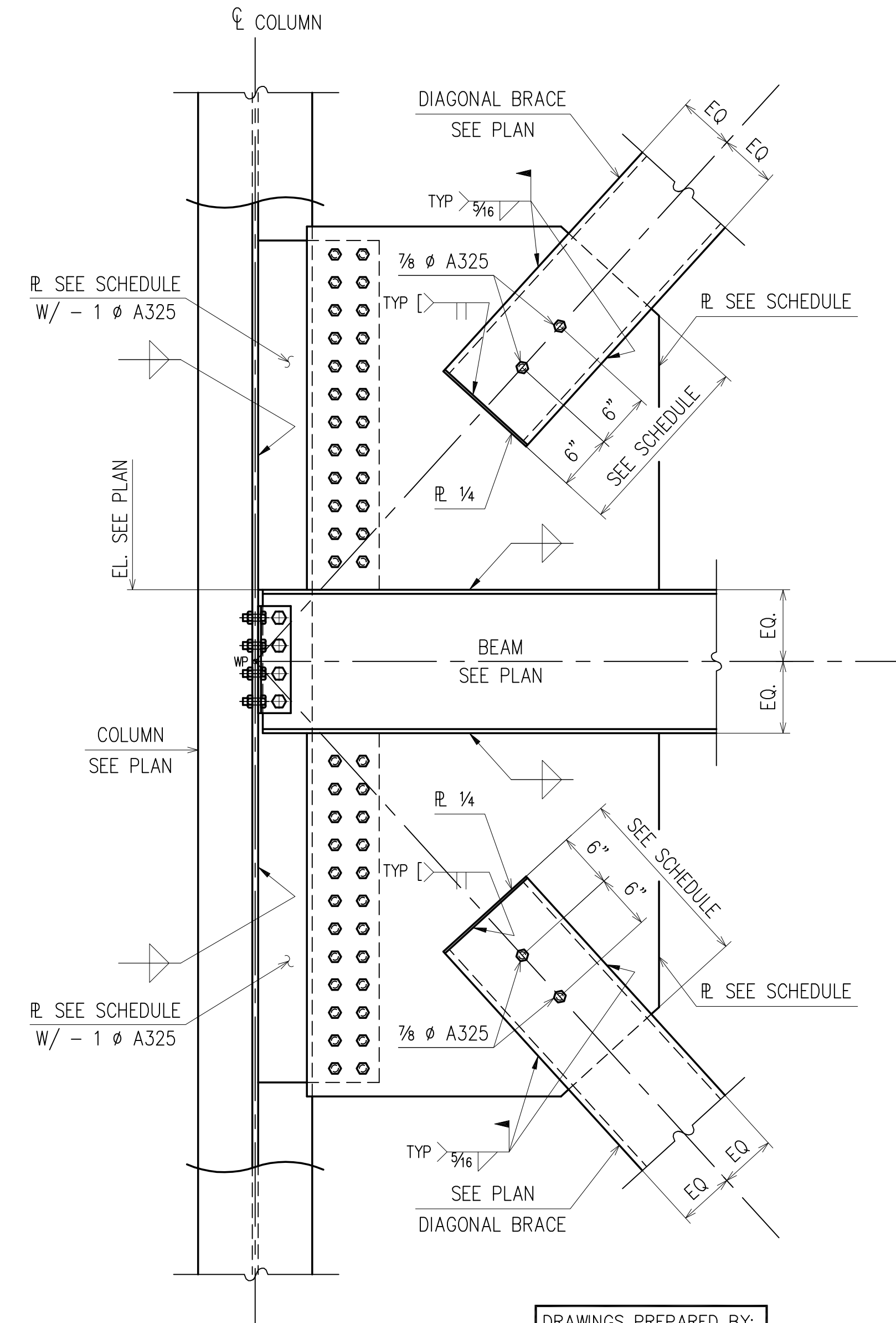
(TYP)



(TYP)



(TYP)



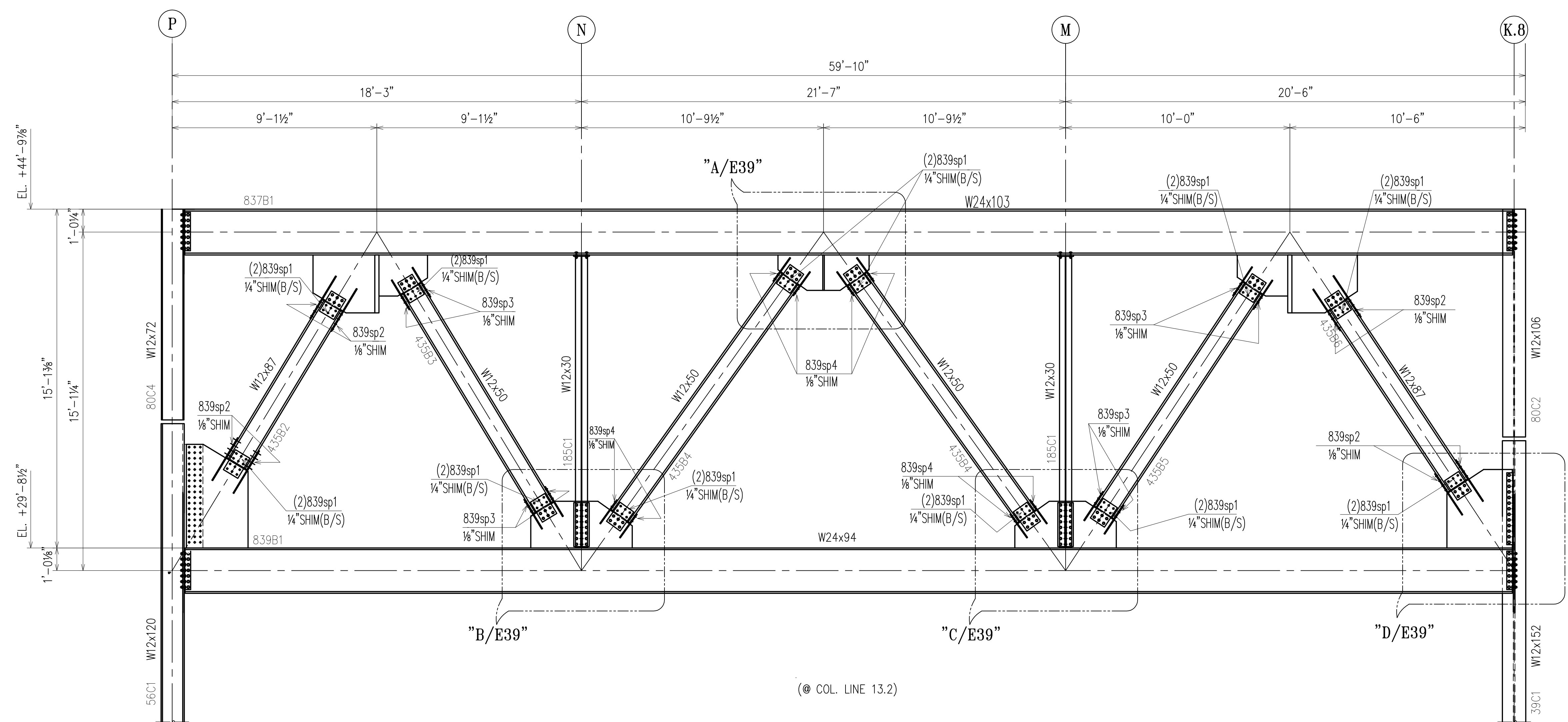
(TYP)

APPROVAL/REVIEW AUTHORITY:
PLEASE REVIEW THIS DRAWING CAREFULLY.
IT REPRESENTS OUR INTERPRETATION OF THE INTENT OF THE CONTRACT DOCUMENTS. HOWEVER, THE STEEL FABRICATOR AND THE STRUCTURAL STEEL DETAILER ASSUME NO RESPONSIBILITY FOR THE ACCURACY OF THE INFORMATION SHOWN ON THIS DRAWING. THIS IS THE RESPONSIBILITY OF THE BUYER.
IT WILL BE ASSUMED THAT ALL INFORMATION SHOWN HEREIN HAS THE AFFIRMATION OF THE APPROVAL AUTHORITY UNLESS NOTED TO THE CONTRARY ON THIS DRAWING WHEN IT IS RETURNED FROM APPROVAL.
SUBSEQUENT CHANGES TO INFORMATION SHOWN ON THESE DRAWINGS AFTER FIRST SUBMISSION WILL BE CONSIDERED AS CONTRACT CHANGES.
ADOPTED BY THE NATIONAL INSTITUTE OF STEEL DETAILING 1977.

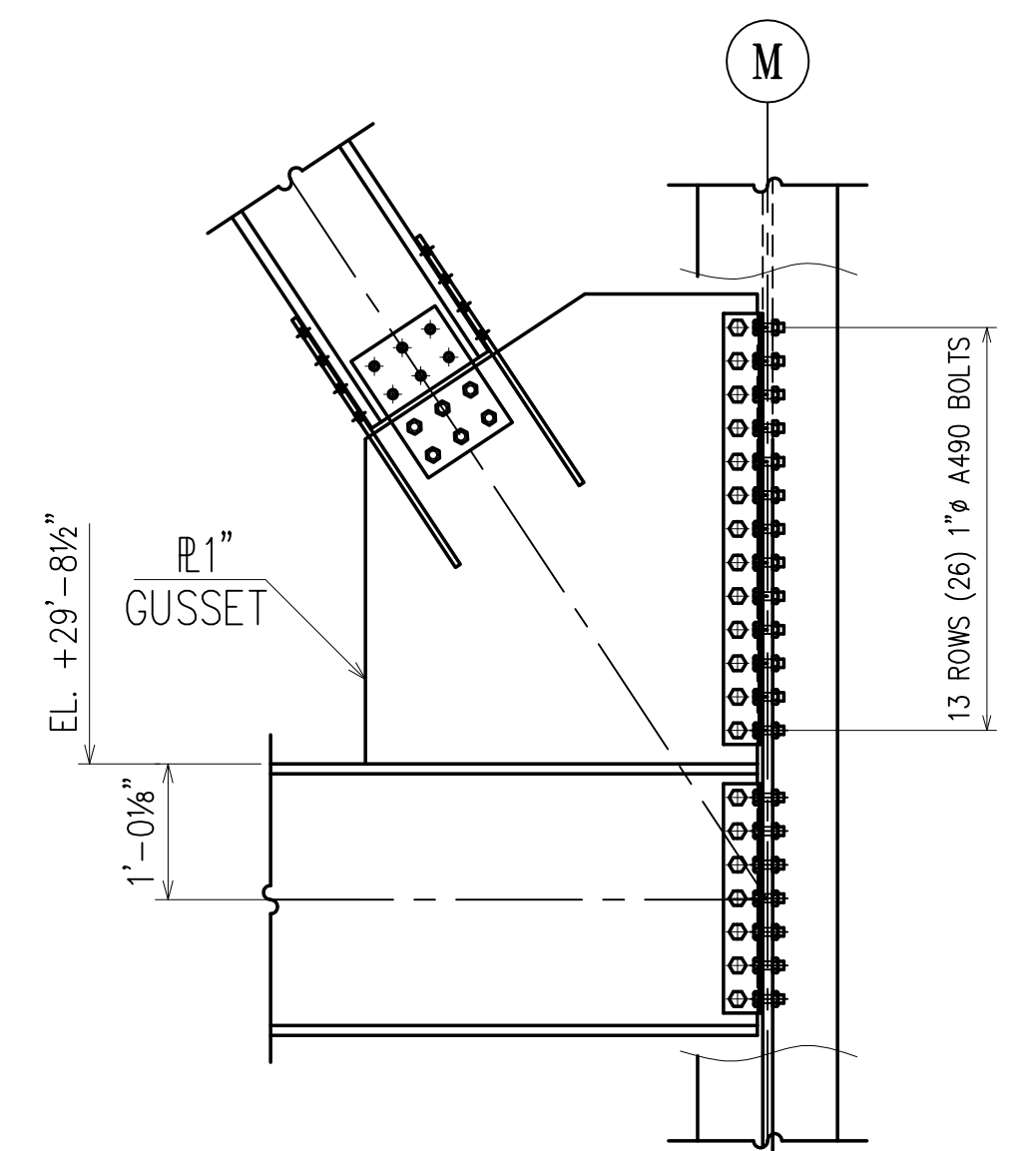
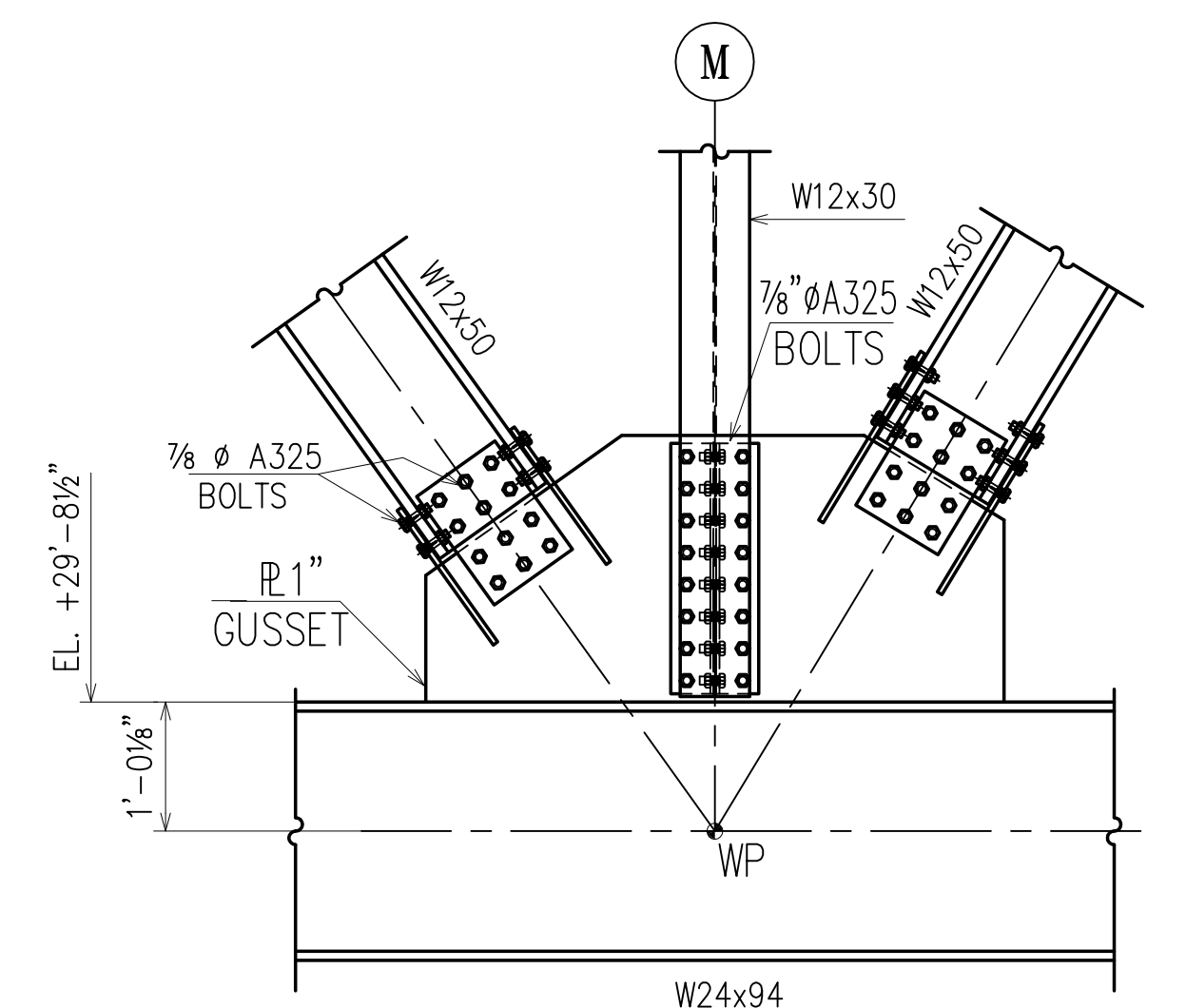
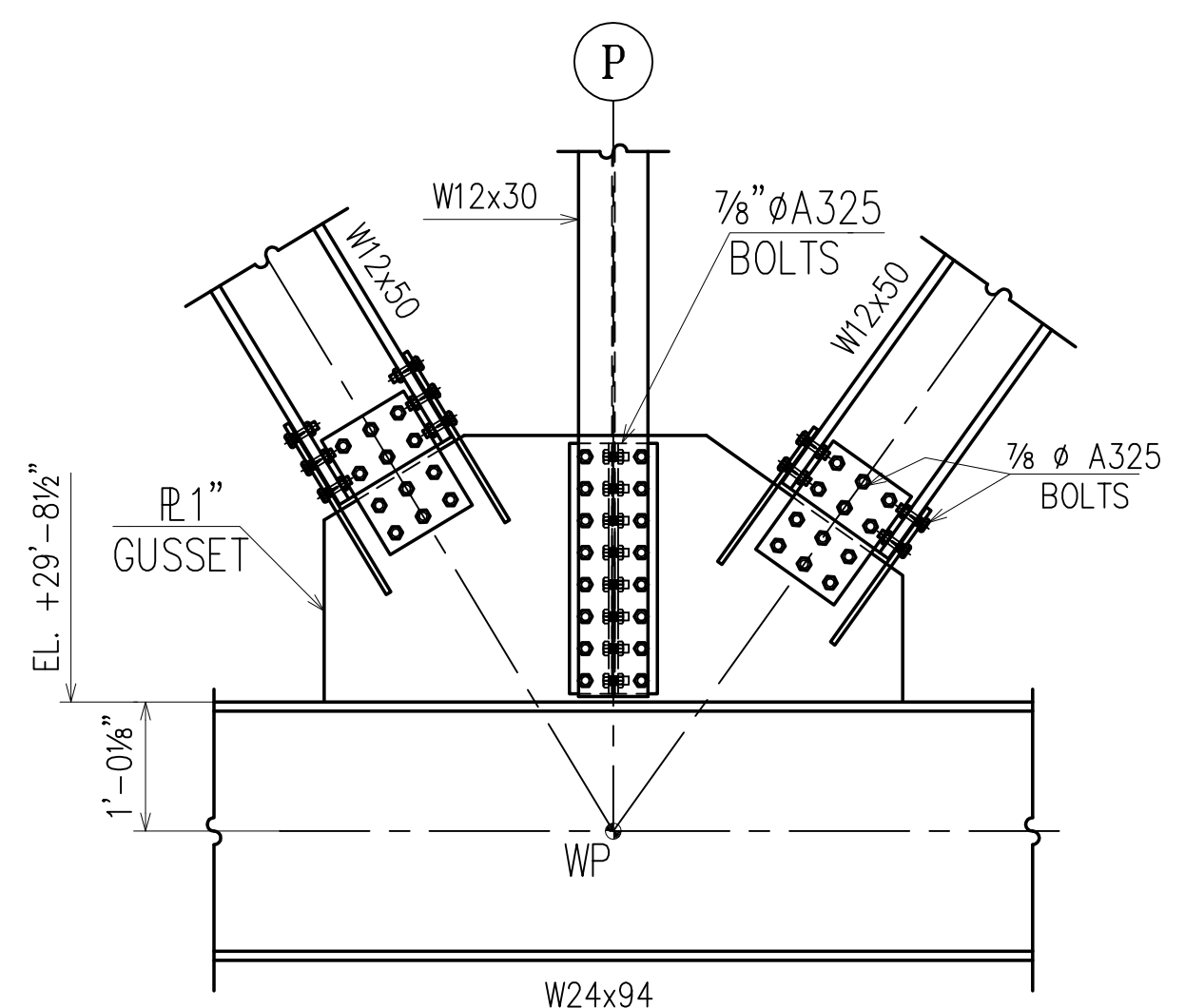
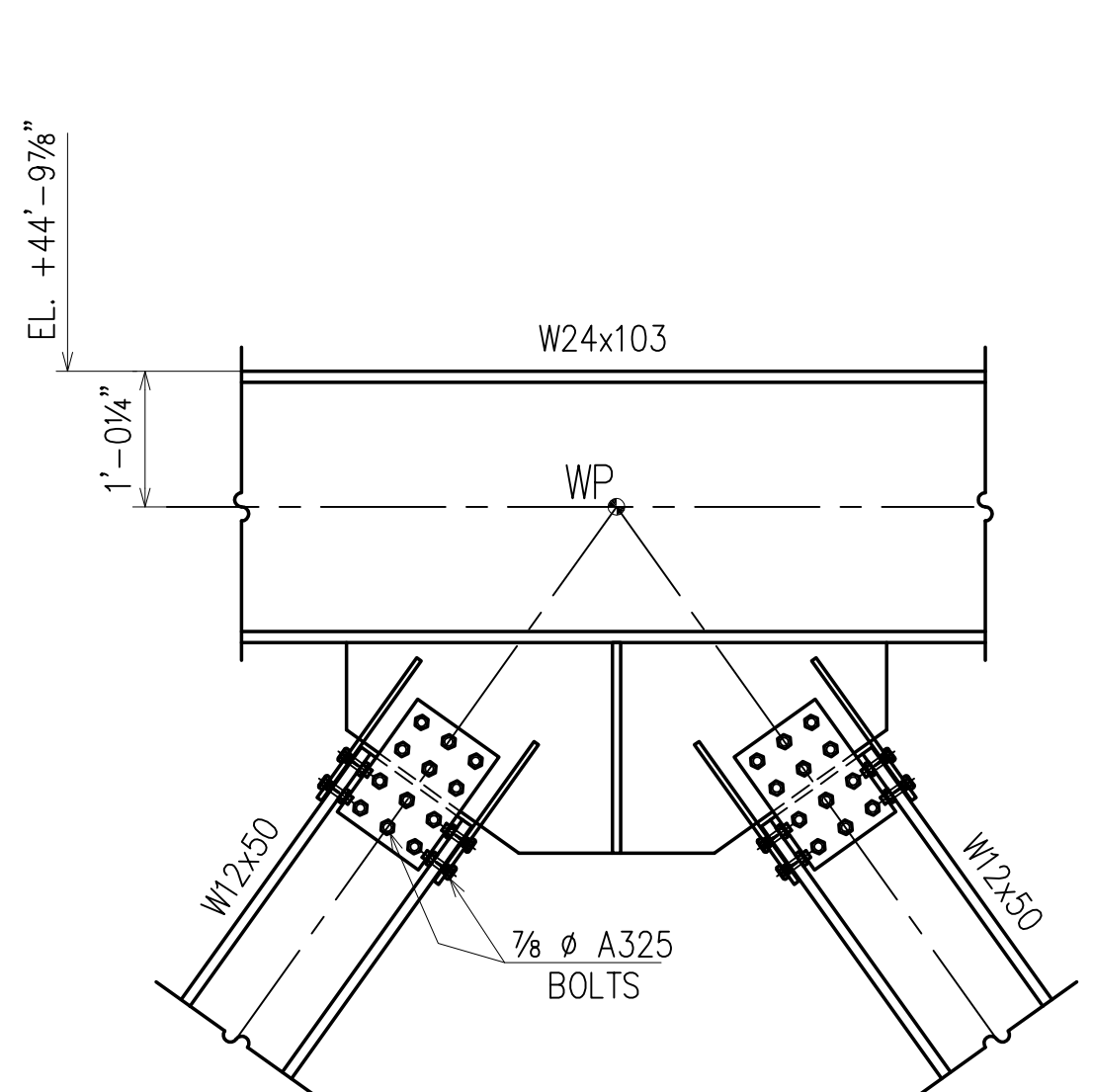
DRAWINGS PREPARED BY:
DIVISION FIVE DETAILING INC.
1857 W. Landis Ave. Suite D
Vineland, New Jersey 08360
Phone: (856) 794-9474
Fax: (856) 696-2027

PAIN	ONE SHOP COAT U/NOTED				
MATERIAL	GR.50 U/NOTED	11/20	REV FOR FIELD		
HOLES	13/16" U/NOTED	10/26	FOR FIELD		
ELECTRODES	E70XX	7/16	PER APPROVAL		
TOTAL WEIGHT		NO DATE	DESCRIPTION	NO DATE	DESCRIPTION
DIAG. REF #		REVISIONS			

WEIR WELDING CO. INC.		CONTRACT NO	S-616
DRAFTER YG	LAW ENFORCEMENT SCHOOL	CHECKED BRB	DWG NO
DATE 5/11/01		DATE 10/26/01	E38



(@ COL. LINE 13.2)

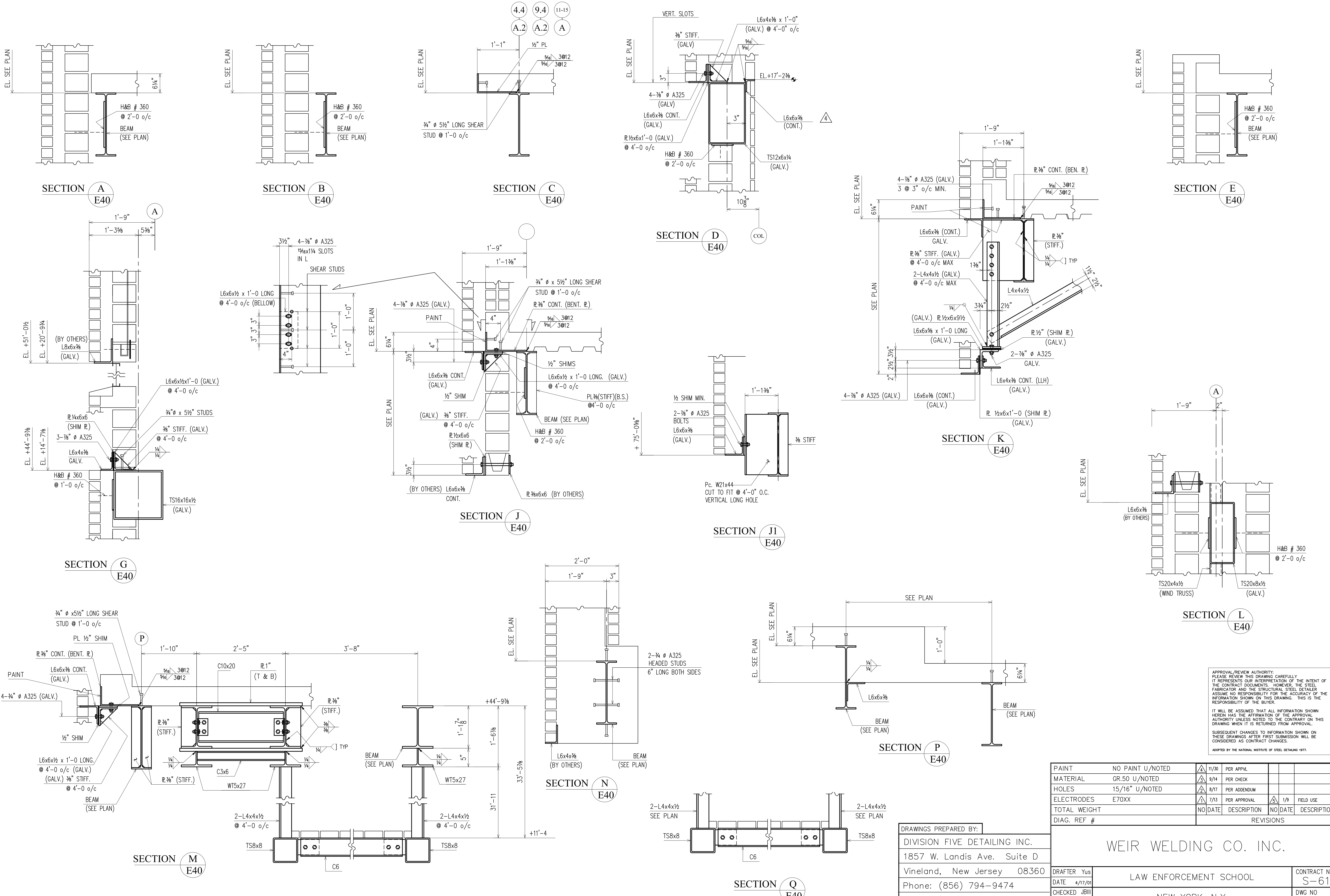


APPROVAL/REVIEW AUTHORITY:
PLEASE REVIEW THIS DRAWING CAREFULLY.
IT REPRESENTS OUR INTERPRETATION OF THE INTENT OF
THE CONTRACT DOCUMENTS. HOWEVER, THE STEEL
FABRICATOR AND THE STRUCTURAL STEEL DETAILER
ASSUME NO RESPONSIBILITY FOR THE ACCURACY OF THE
INFORMATION SHOWN ON THIS DRAWING. THIS IS THE
RESPONSIBILITY OF THE BUYER.
IT WILL BE ASSUMED THAT ALL INFORMATION SHOWN
HEREIN HAS THE AFFIRMATION OF THE APPROVAL
AUTHORITY UNLESS NOTED TO THE CONTRARY ON THIS
DRAWING WHEN IT IS RETURNED FROM APPROVAL.
SUBSEQUENT CHANGES TO INFORMATION SHOWN ON
THESE DRAWINGS AFTER FIRST SUBMISSION WILL BE
CONSIDERED AS CONTRACT CHANGES.
ADOPTED BY THE NATIONAL INSTITUTE OF STEEL DETAILING 1977.

PAINT	NO PAINT U/NOTED	11/8	PER CHECK/FIELD		
MATERIAL	A36 U/NOTED	11/5	PER ENGINEER		
HOLES	15/16" U/NOTED	10/26	FOR FIELD		
ELECTRODES	E70XX	10/18	ADD. MARK.		
TOTAL WEIGHT		NO DATE	DESCRIPTION	NO DATE	DESCRIPTION
DIAG. REF #		REVISIONS			

DRAWINGS PREPARED BY:
DIVISION FIVE DETAILING INC.
1770 Gallagher Drive
Vineland, New Jersey 08360
Phone: (856) 794-9474
Fax: (856) 696-2027

WEIR WELDING CO. INC.
DRAFTER YG
DATE 5/12/01
CHECKED BRB
DATE 10/26/01
LAW ENFORCEMENT SCHOOL
CONTRACT NO S-616
DWG NO E39

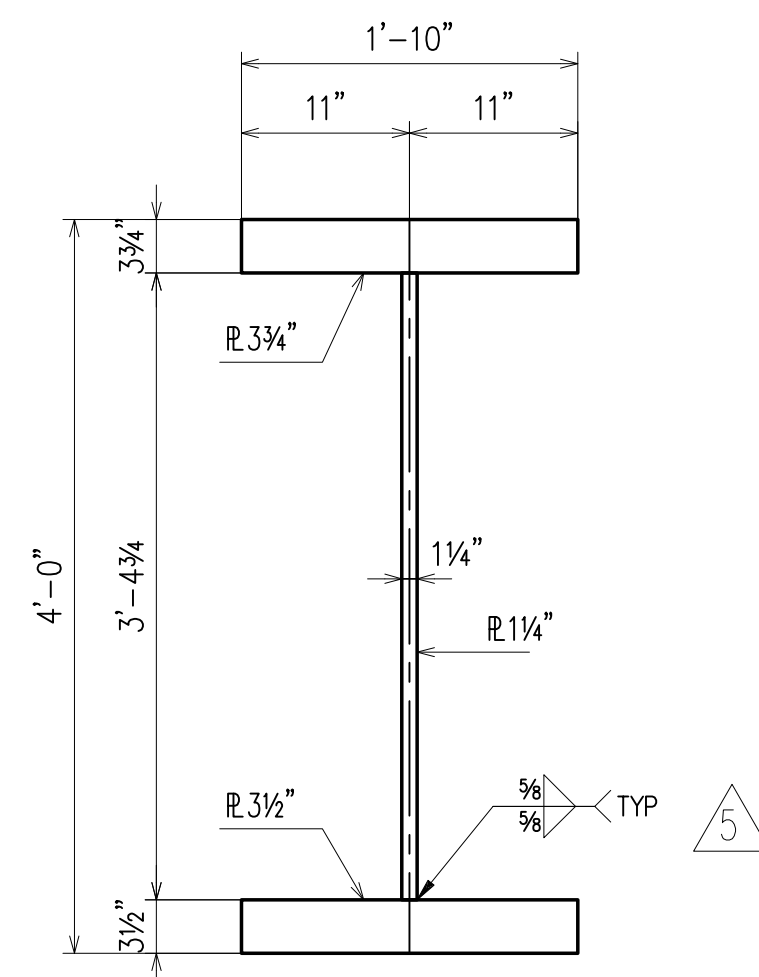


APPROVAL/REVIEW AUTHORITY:
 PLEASE REVIEW THIS DRAWING CAREFULLY.
 IT REPRESENTS OUR INTERPRETATION OF THE INTENT OF
 THE CONTRACT DOCUMENTS. HOWEVER, THE STEEL
 FABRICATOR AND THE STRUCTURAL STEEL DETAILER
 ASSUME NO RESPONSIBILITY FOR THE ACCURACY OF THE
 INFORMATION SHOWN ON THIS DRAWING. THIS IS THE
 RESPONSIBILITY OF THE BUYER.
 IT WILL BE ASSUMED THAT ALL INFORMATION SHOWN
 HEREIN HAS THE AFFIRMATION OF THE APPROVAL
 AUTHORITY UNLESS NOTED TO THE CONTRARY ON THIS
 DRAWING WHEN IT IS RETURNED FROM APPROVAL.
 SUBSEQUENT CHANGES TO INFORMATION SHOWN ON
 THESE DRAWINGS AFTER FIRST SUBMISSION WILL BE
 CONSIDERED AS CONTRACT CHANGES.
 ADOPTED BY THE NATIONAL INSTITUTE OF STEEL DETAILING 1977.

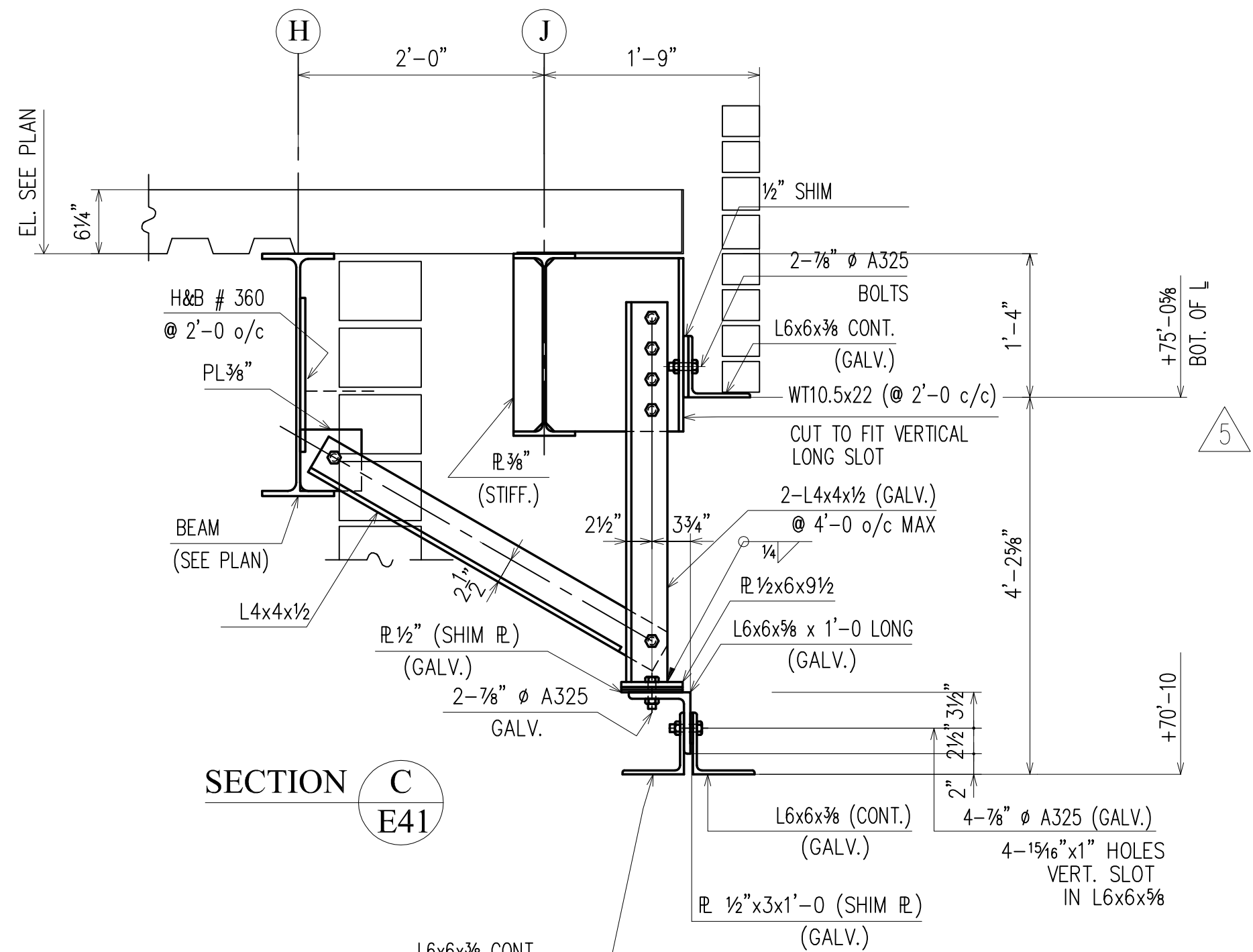
PAINT	NO PAINT U/NOTED	11/30	PER APPL.		
MATERIAL	GR.50 U/NOTED	9/14	PER CHECK		
HOLES	15/16" U/NOTED	8/17	PER ADDENDUM		
ELECTRODES	E70XX	7/13	PER APPROVAL	1/9	FIELD USE
TOTAL WEIGHT		NO DATE	DESCRIPTION	NO DATE	DESCRIPTION
DIAG. REF #		REVISIONS			

DRAWINGS PREPARED BY:
 DIVISION FIVE DETAILING INC.
 1857 W. Landis Ave. Suite D
 Vineland, New Jersey 08360
 Phone: (856) 794-9474
 Fax: (856) 696-2027

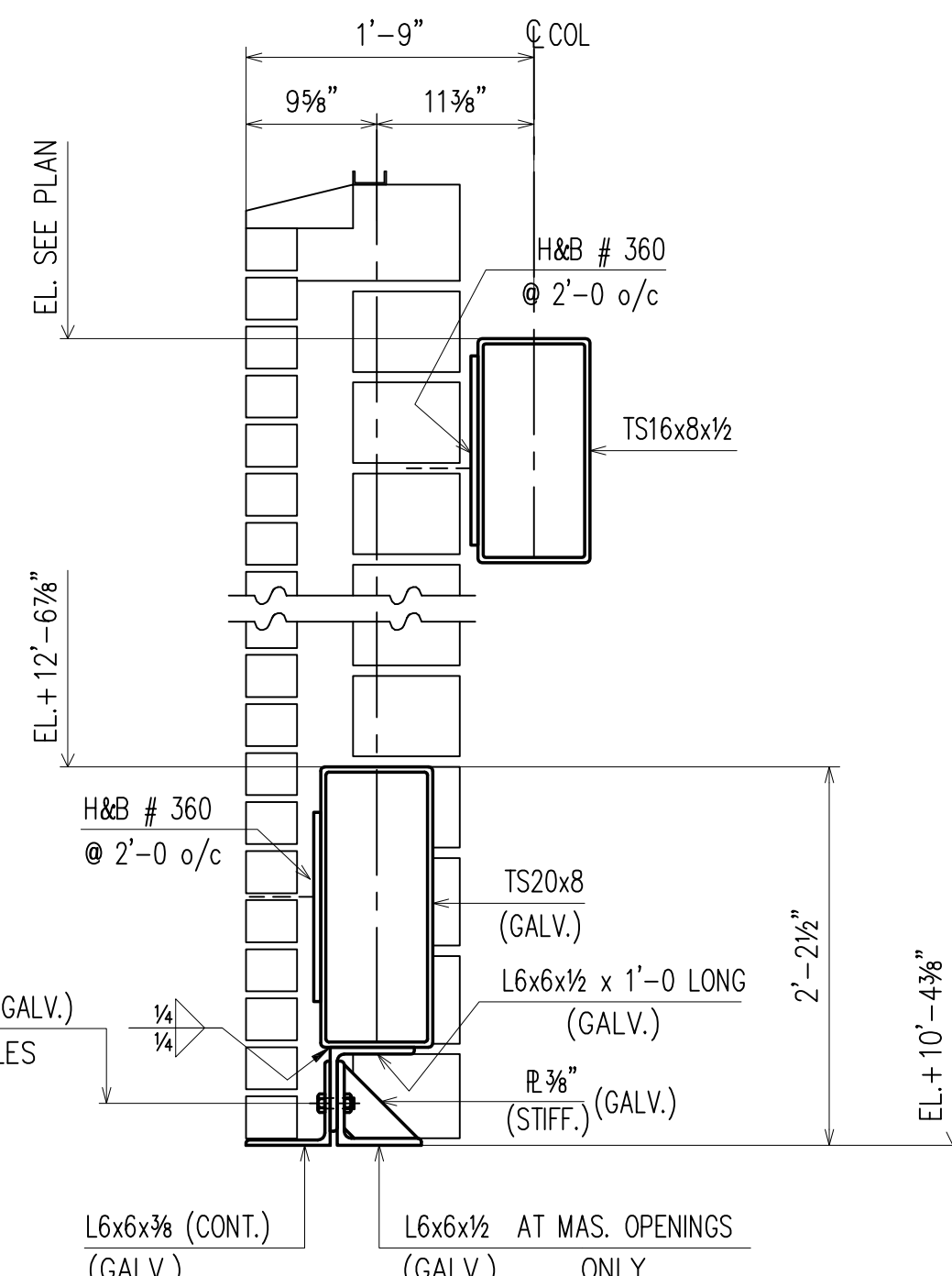
WEIR WELDING CO. INC.		CONTRACT NO	S-616
DRAFTER Yus	LAW ENFORCEMENT SCHOOL	DATE	4/17/01
CHECKED JIBIII	NEW YORK, N.Y.	DATE	9/14/01
DATE		DWG NO	E40



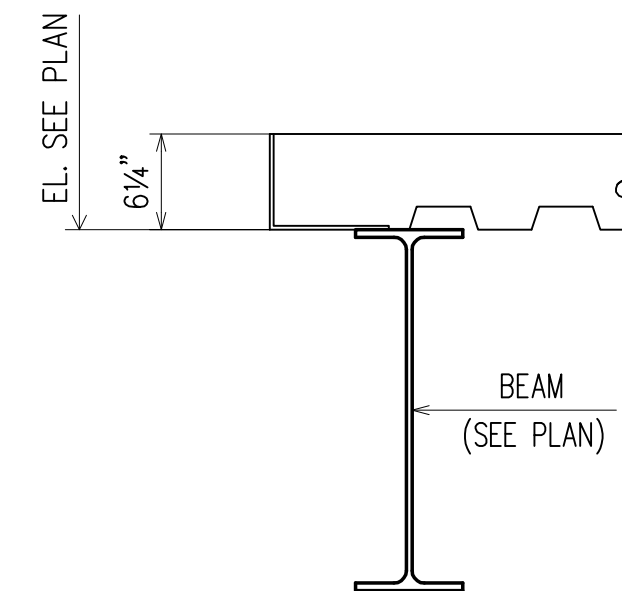
SECTION A
E41



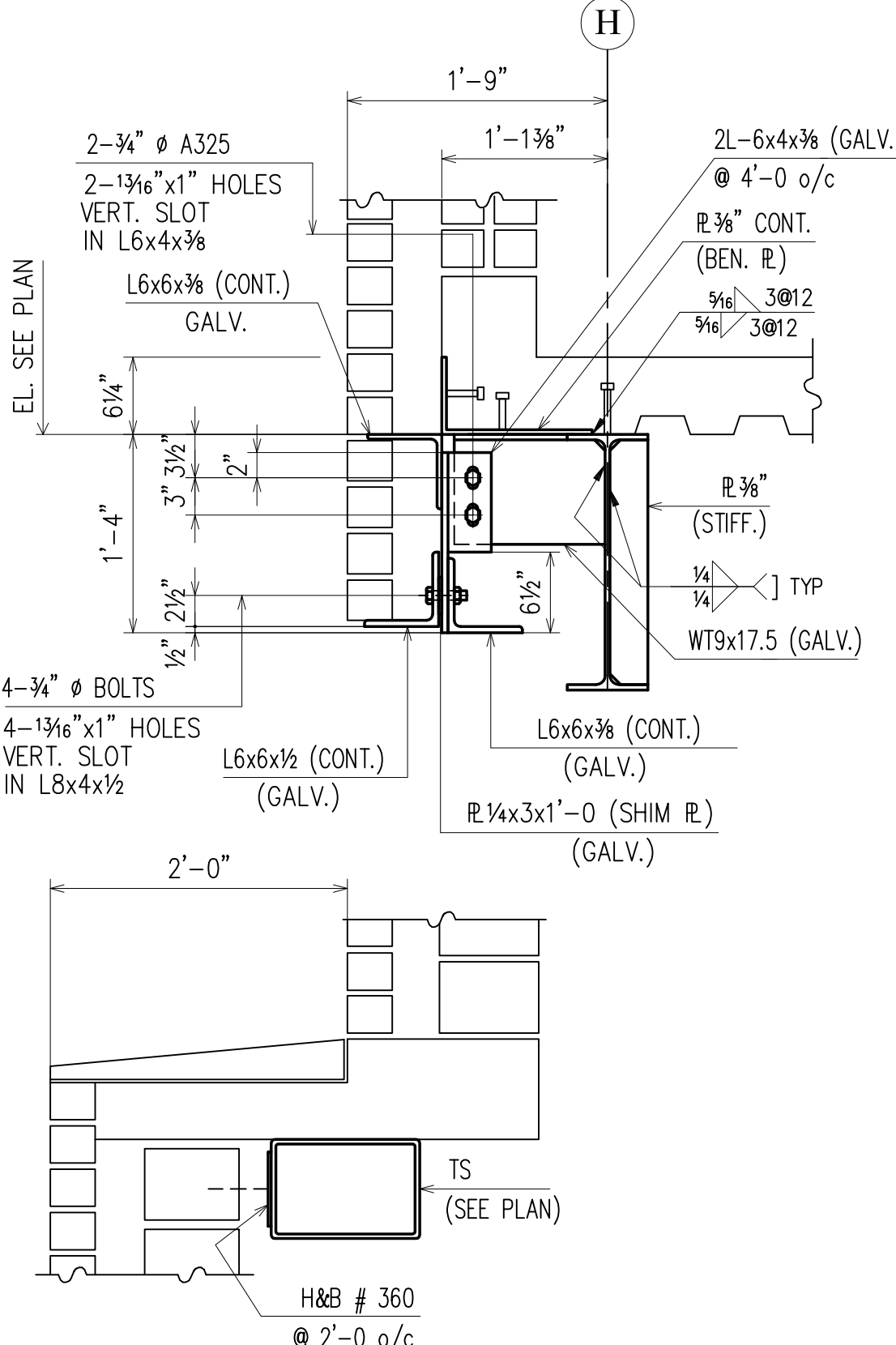
SECTION C
E41



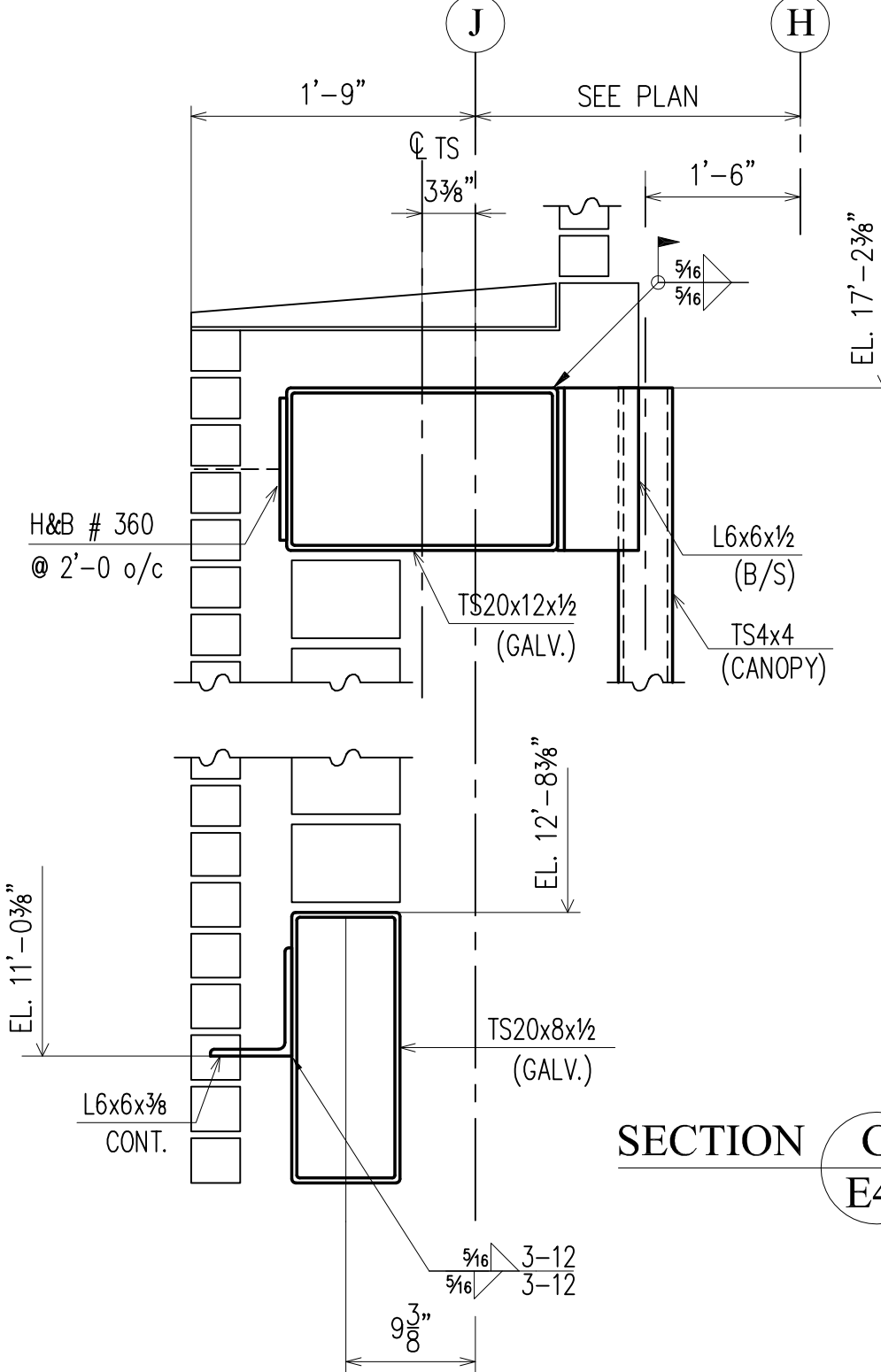
SECTION D
E41



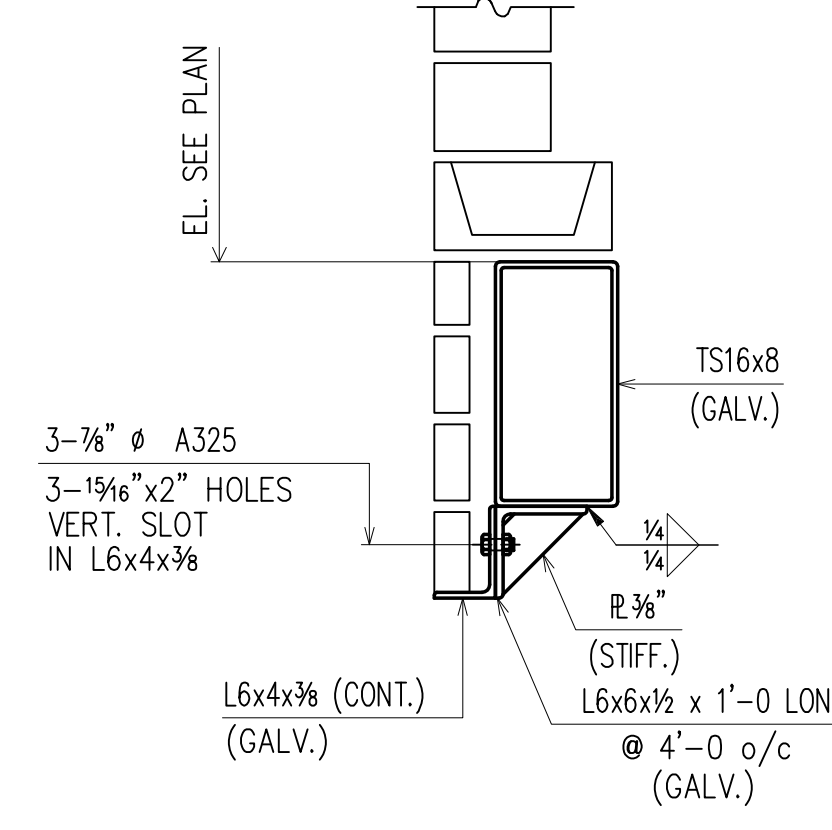
SECTION E
E41



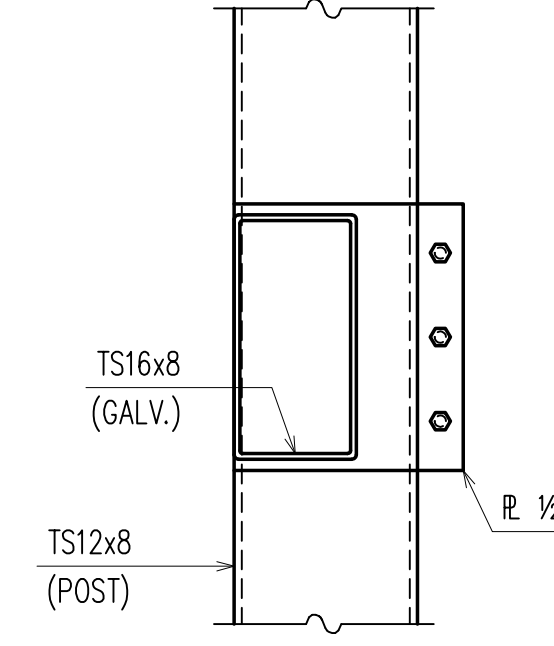
SECTION F
E41



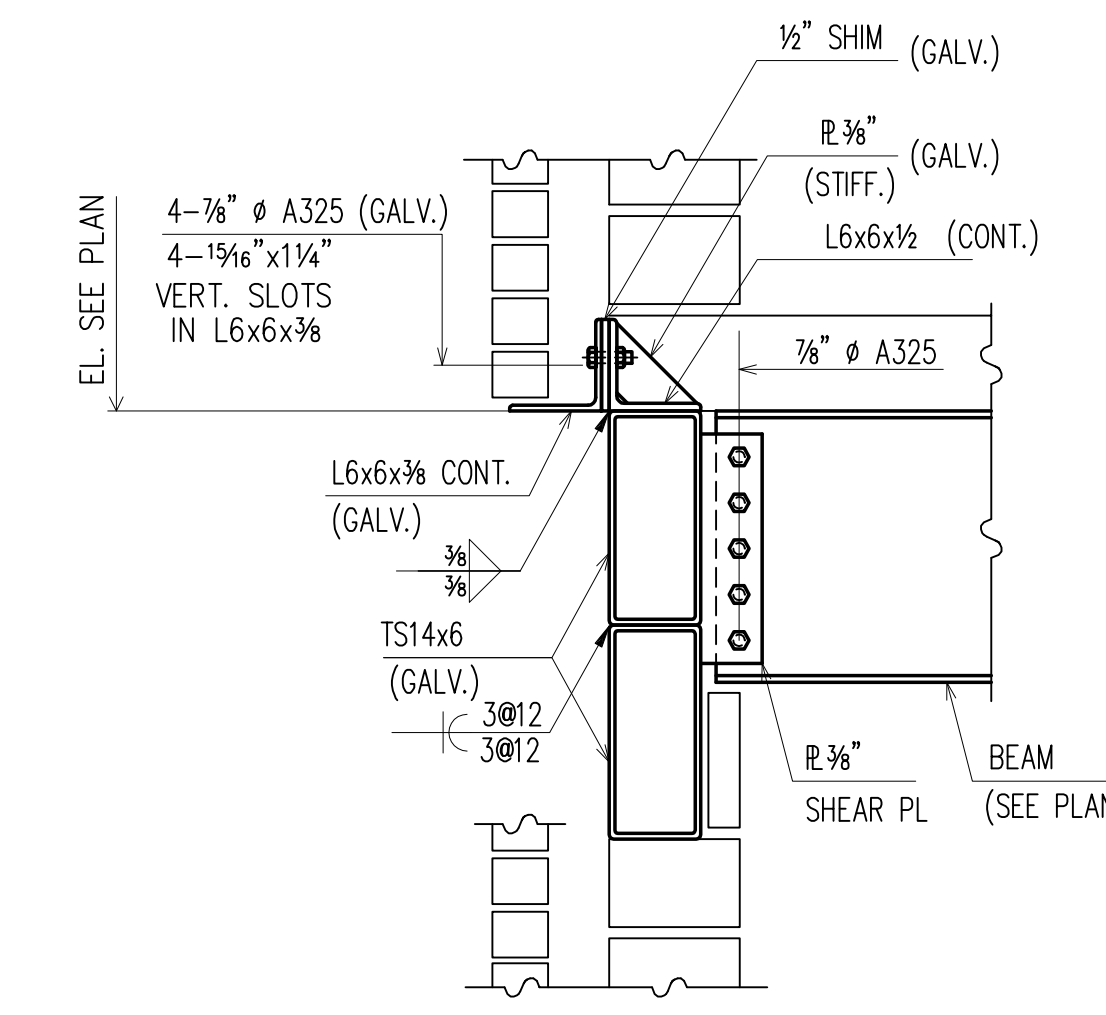
SECTION G
E41



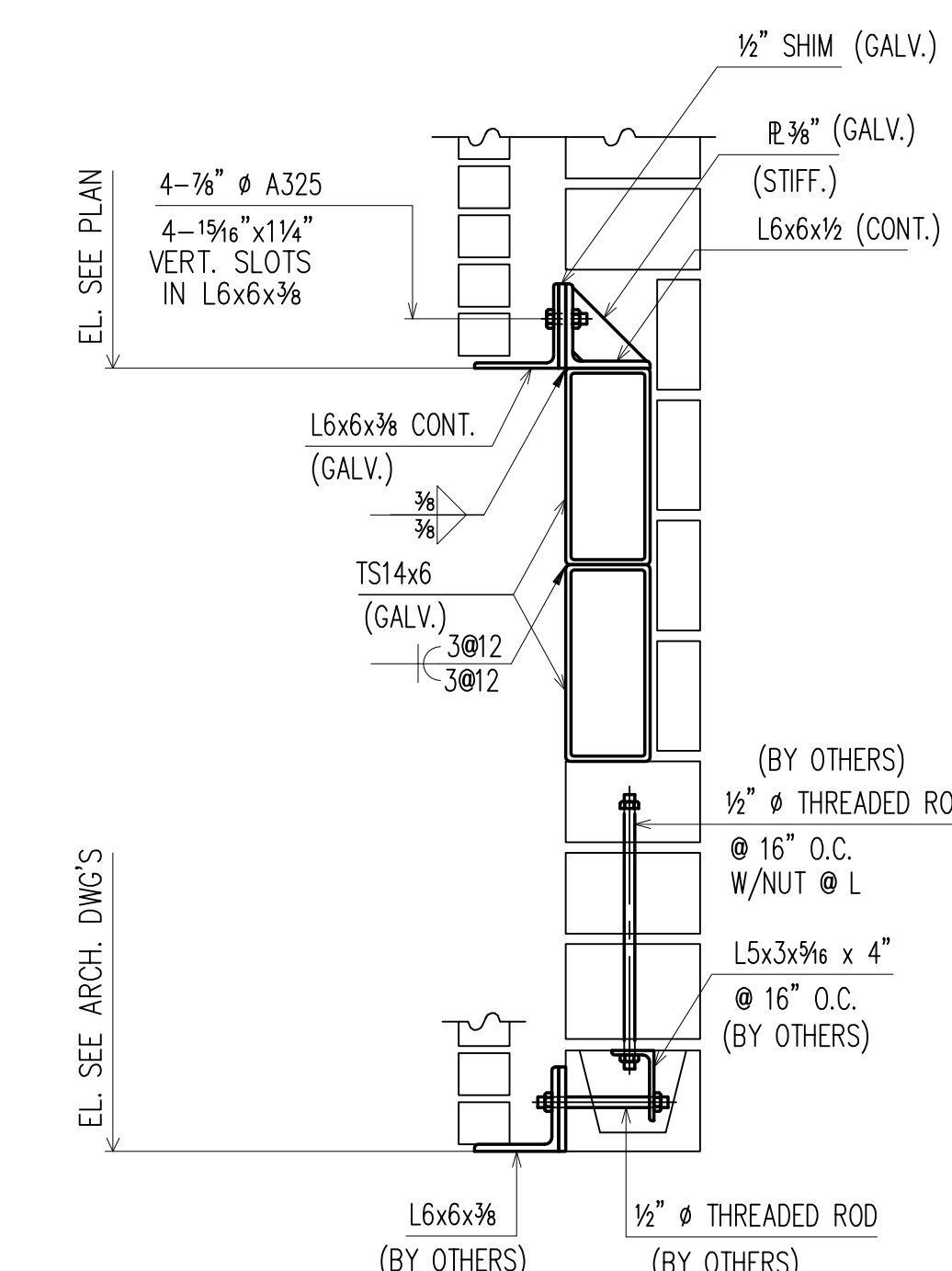
SECTION H
E41



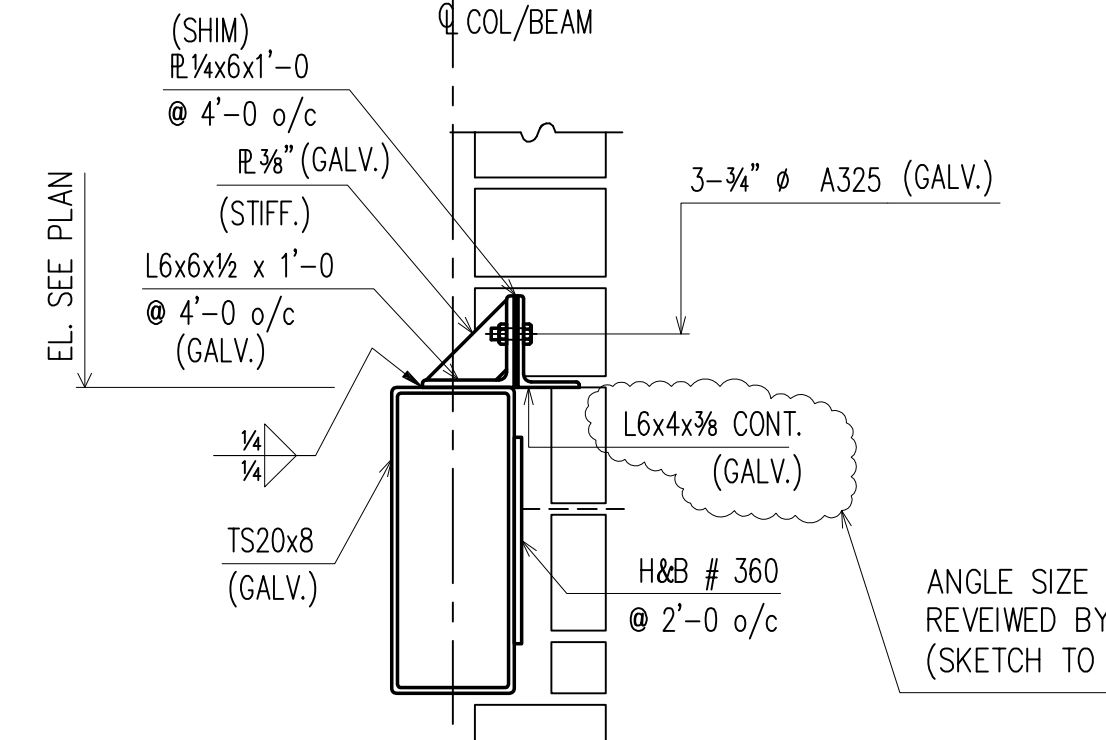
SECTION J
E41



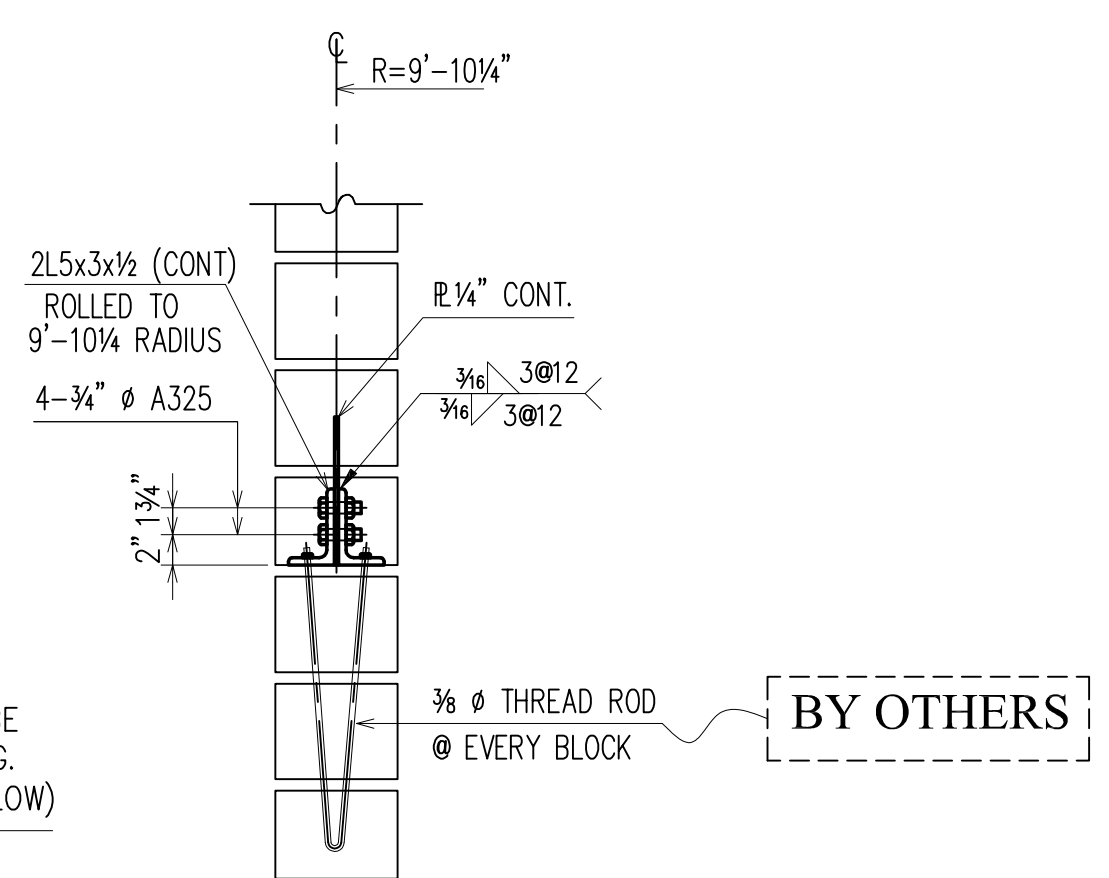
SECTION K
E41



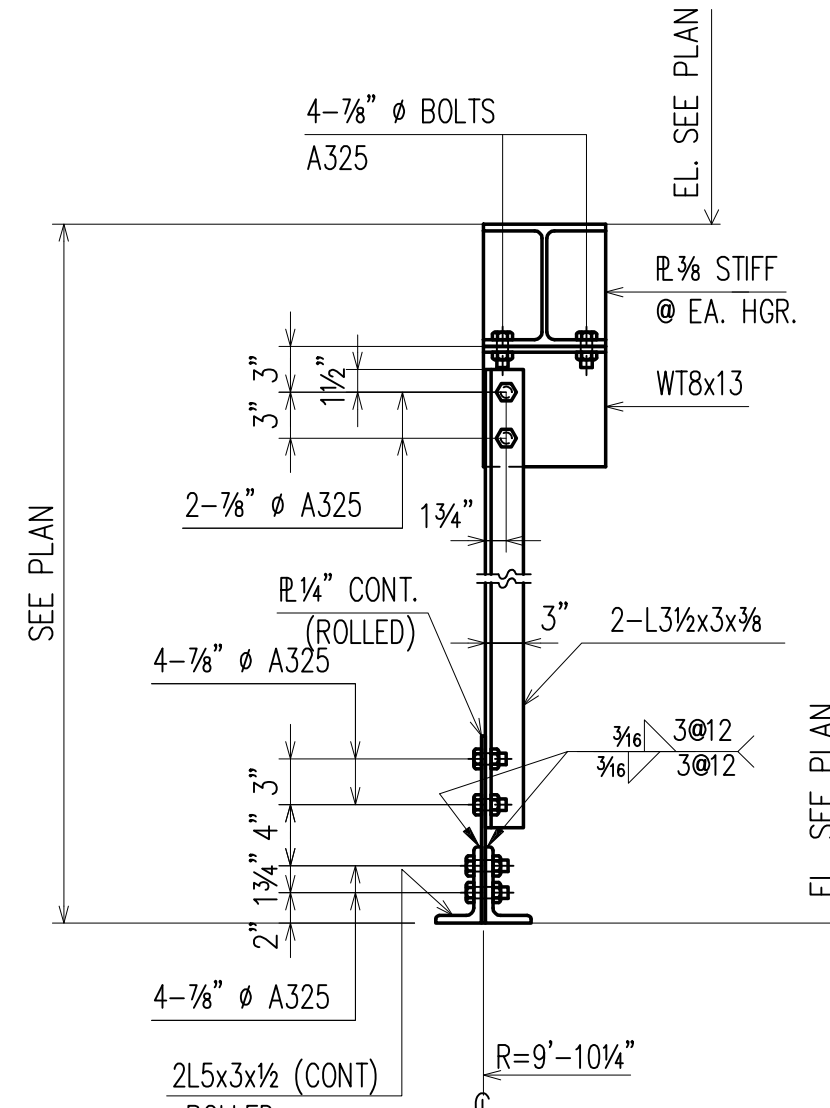
SECTION L
E41



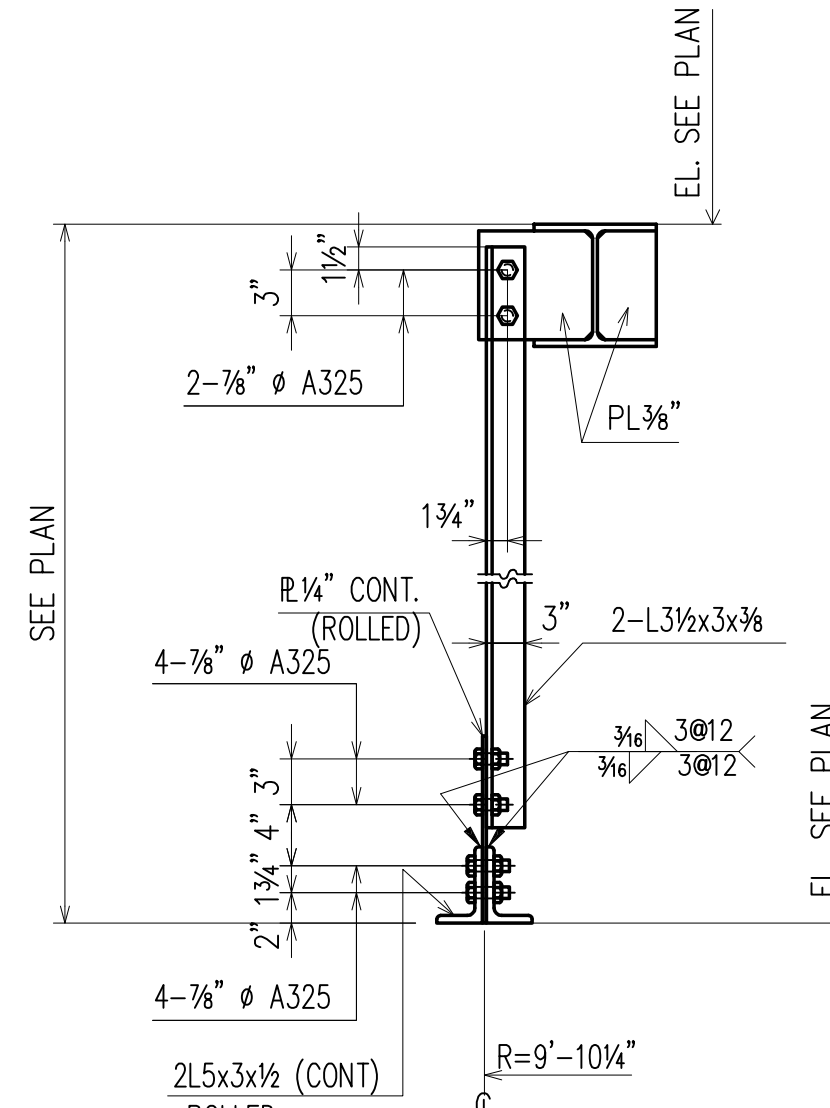
SECTION N
E41



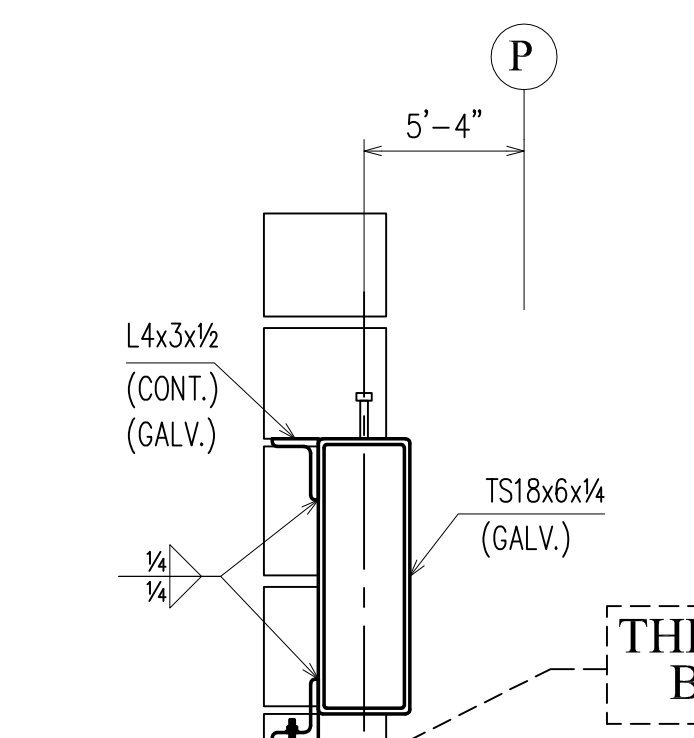
SECTION P
E41



SECTION Q
E41



SECTION Q1
E41



SECTION S
E41

DRAWINGS PREPARED BY:
DIVISION FIVE DETAILING INC.
1857 W. Landis Ave. Suite D
Vineland, New Jersey 08360
Phone: (856) 794-9474
Fax: (856) 696-2027

APPROVAL/REVIEW AUTHORITY:
PLEASE REVIEW THIS DRAWING CAREFULLY.
IT REPRESENTS OUR INTERPRETATION OF THE INTENT OF THE CONTRACT DOCUMENTS. HOWEVER, THE STEEL FABRICATOR AND THE STRUCTURAL STEEL DETAILER ASSUME NO RESPONSIBILITY FOR THE ACCURACY OF THE INFORMATION SHOWN ON THIS DRAWING. THIS IS THE RESPONSIBILITY OF THE BUYER.
IT WILL BE ASSUMED THAT ALL INFORMATION SHOWN HEREIN HAS THE AFFIRMATION OF THE APPROVAL AUTHORITY UNLESS NOTED TO THE CONTRARY ON THIS DRAWING WHEN IT IS RETURNED FROM APPROVAL.
SUBSEQUENT CHANGES TO INFORMATION SHOWN ON THESE DRAWINGS AFTER FIRST SUBMISSION WILL BE CONSIDERED AS CONTRACT CHANGES.
ADOPTED BY THE NATIONAL INSTITUTE OF STEEL DETAILING 1977.

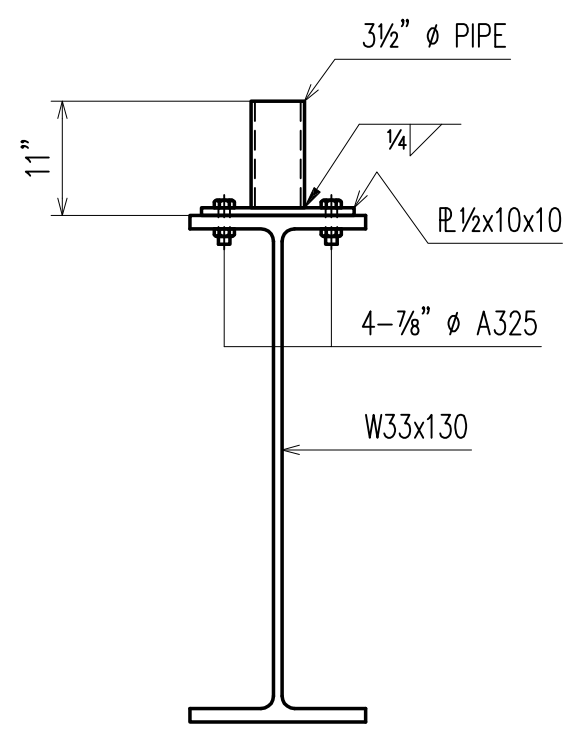
MATERIAL	ONE SHOP COAT U/NOTED	9/14	PER CHECK		
PAINT	GR.50 U/NOTED	9/06	PER ENGINEER		
HOLES	13/16" U/NOTED	8/17	PER ADDENDUM	1/9	FOR FIELD
ELECTRODES	E70XX	7/16	PER APPVL	11/30	PER APPVL
TOTAL WEIGHT		NO DATE	DESCRIPTION	NO DATE	DESCRIPTION
DIAG. REF #		REVISIONS			

WEIR WELDING CO. INC.

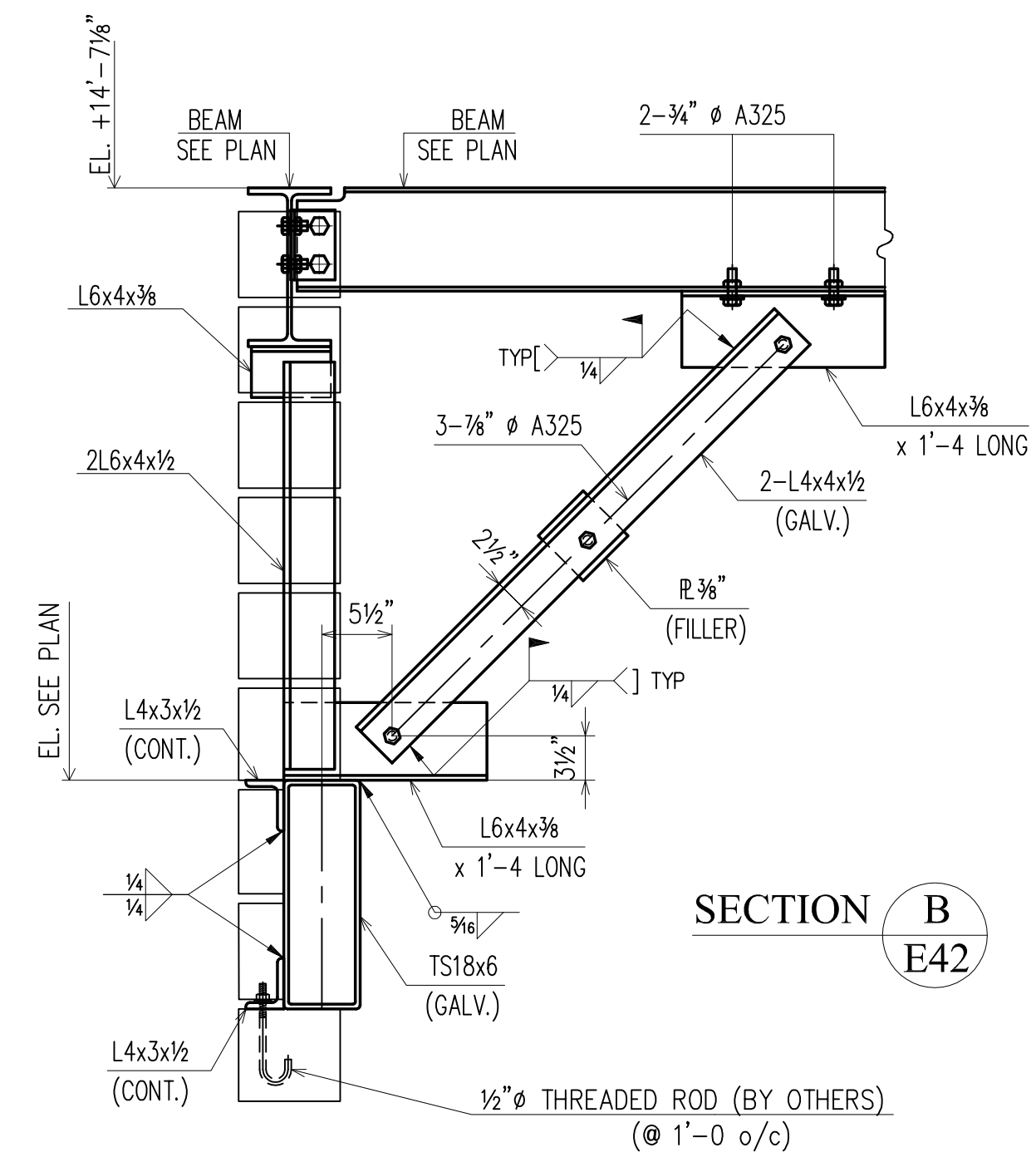
LAW ENFORCEMENT SCHOOL
NEW YORK, N.Y.

CONTRACT NO
S-616
DWG NO
E41

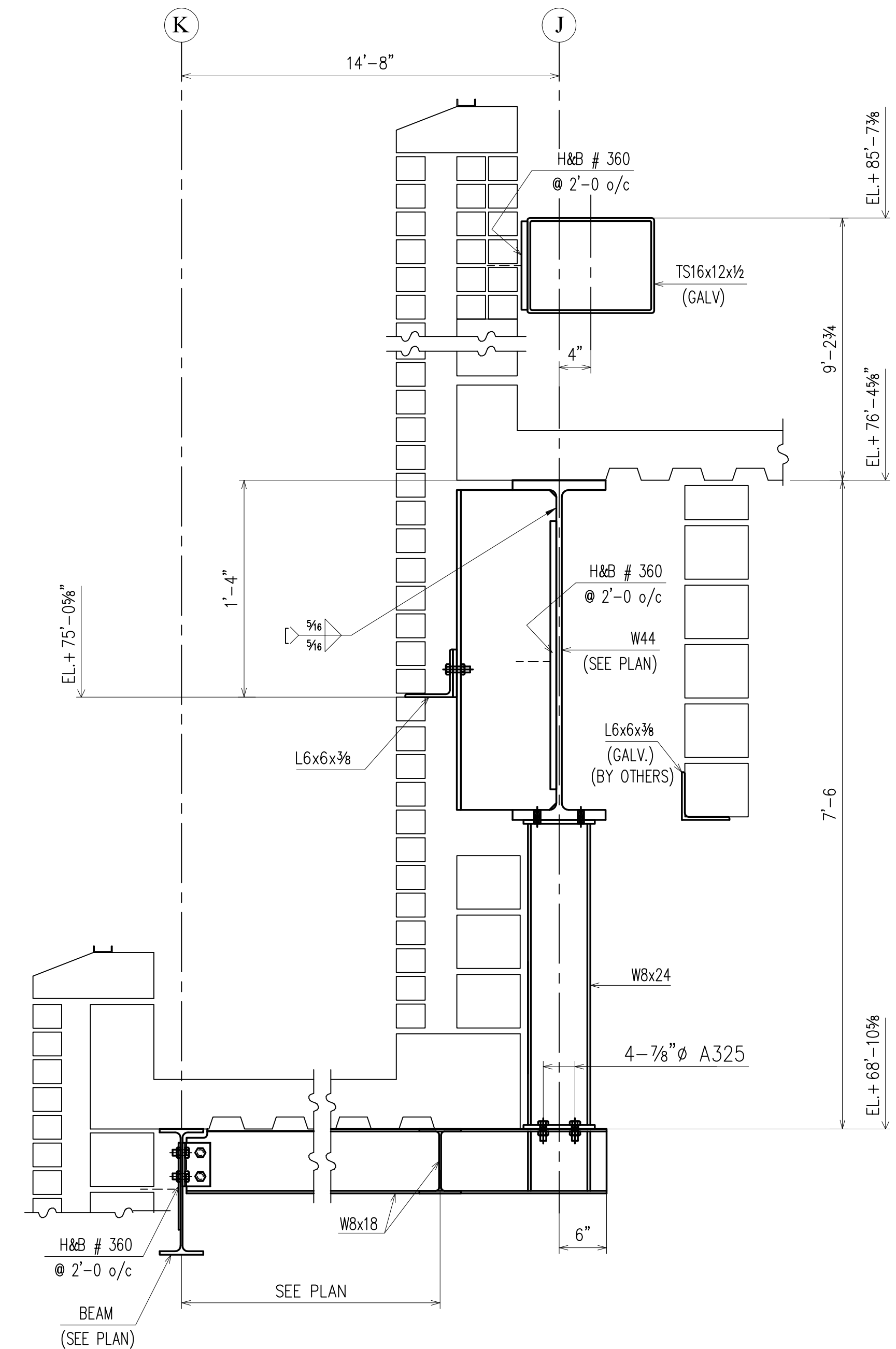
GC NOTE : COORDINATE WITH EQUIPMENT MANUF.



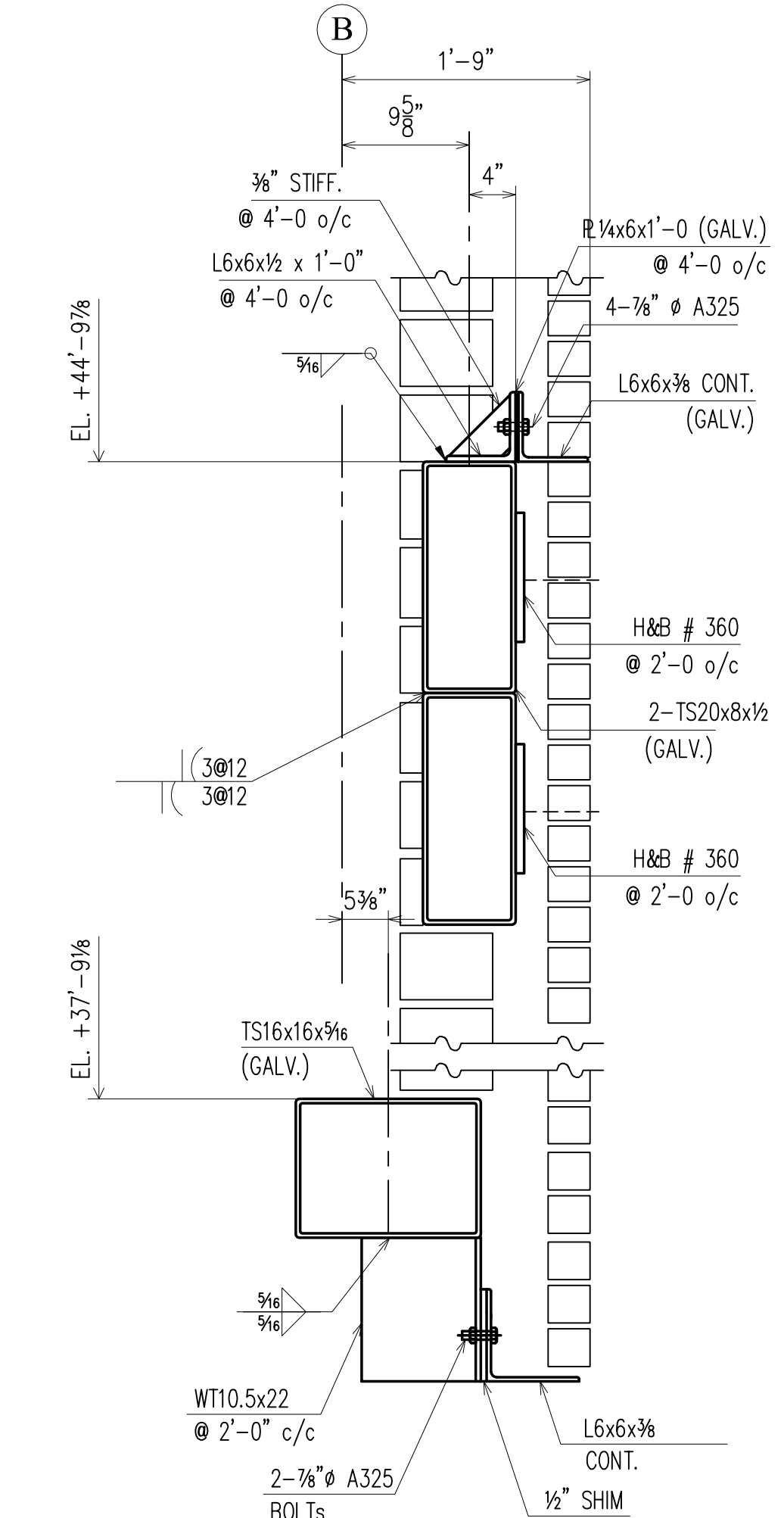
SECTION A
E42



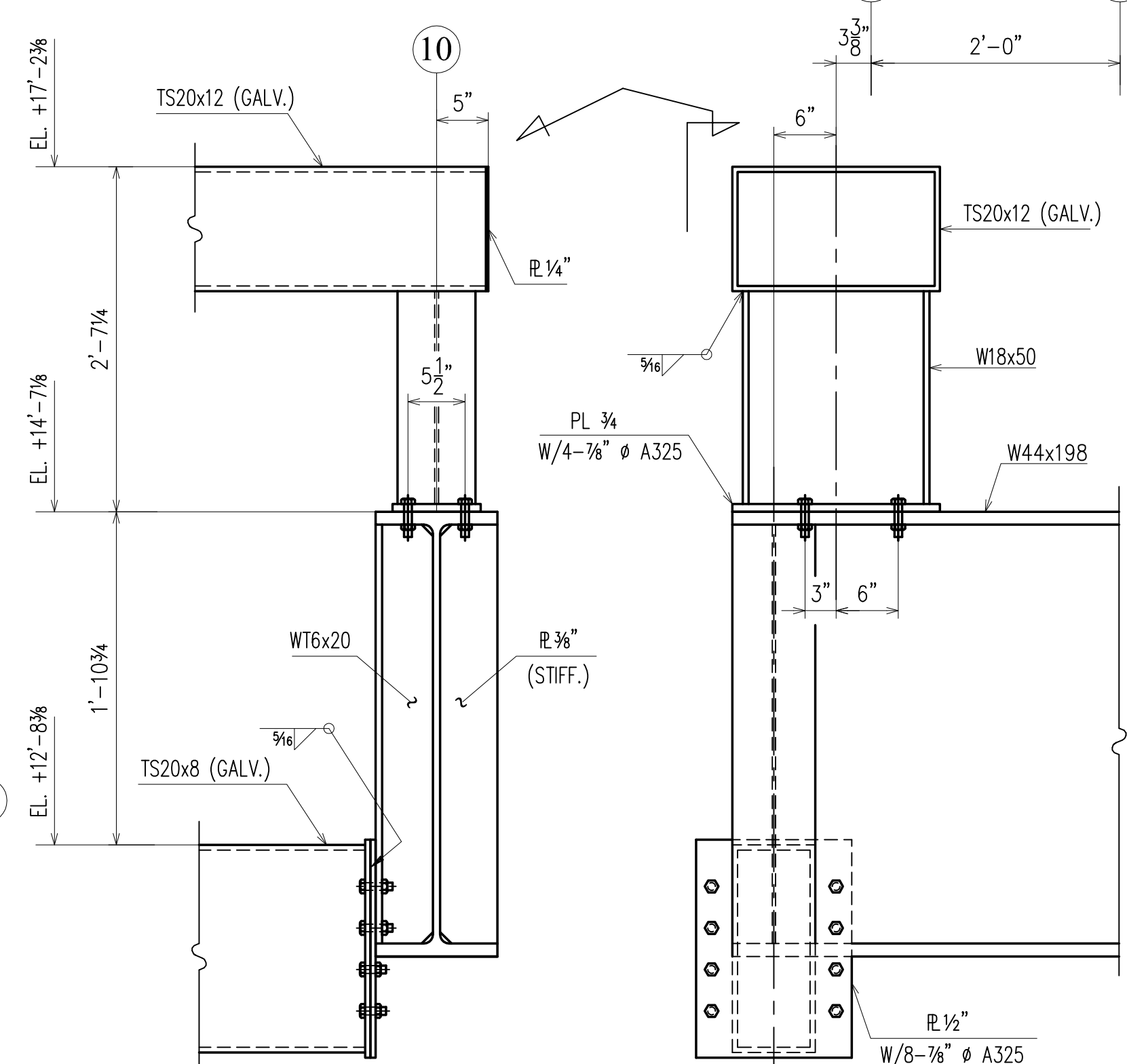
SECTION B
E42



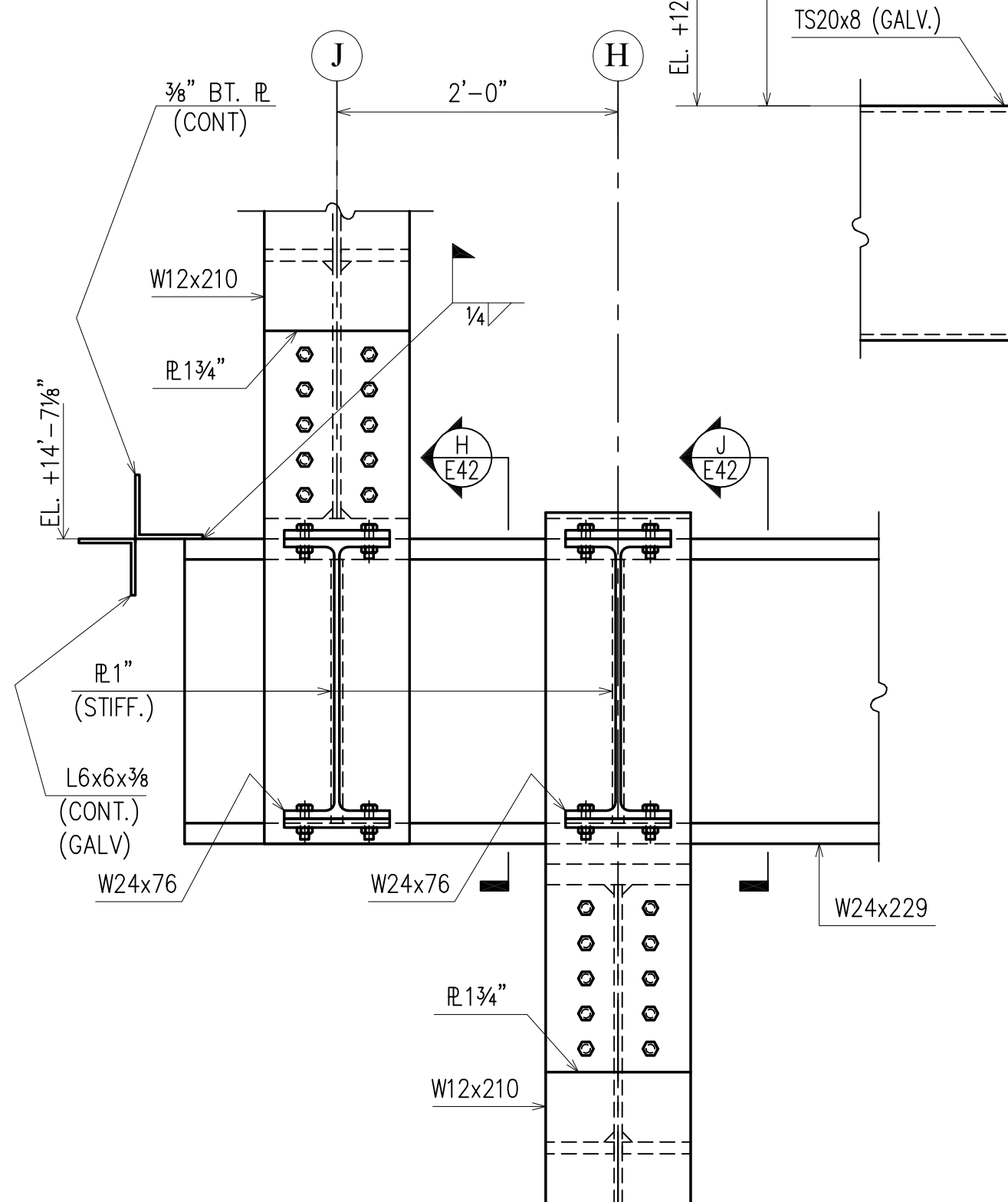
SECTION C
E42



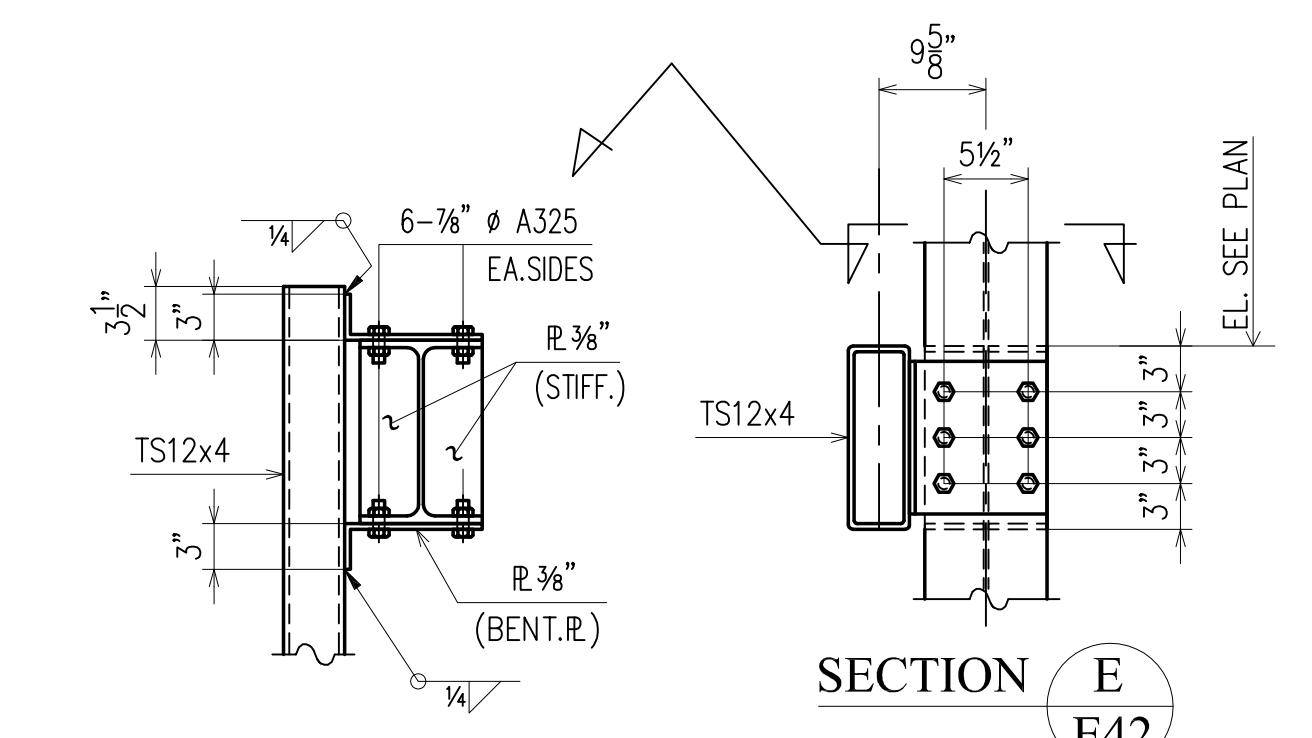
SECTION D
E42



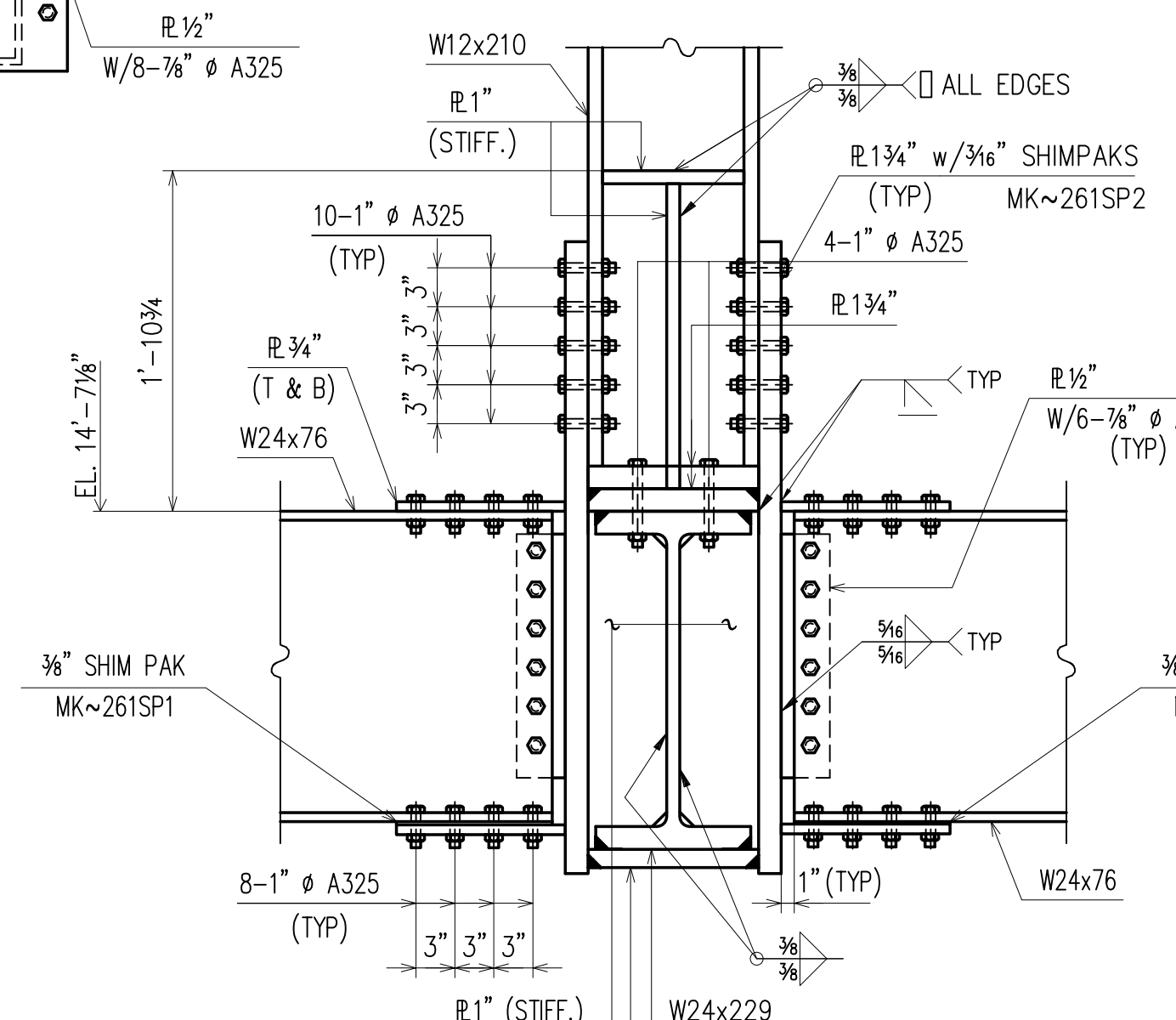
SECTION E
E42



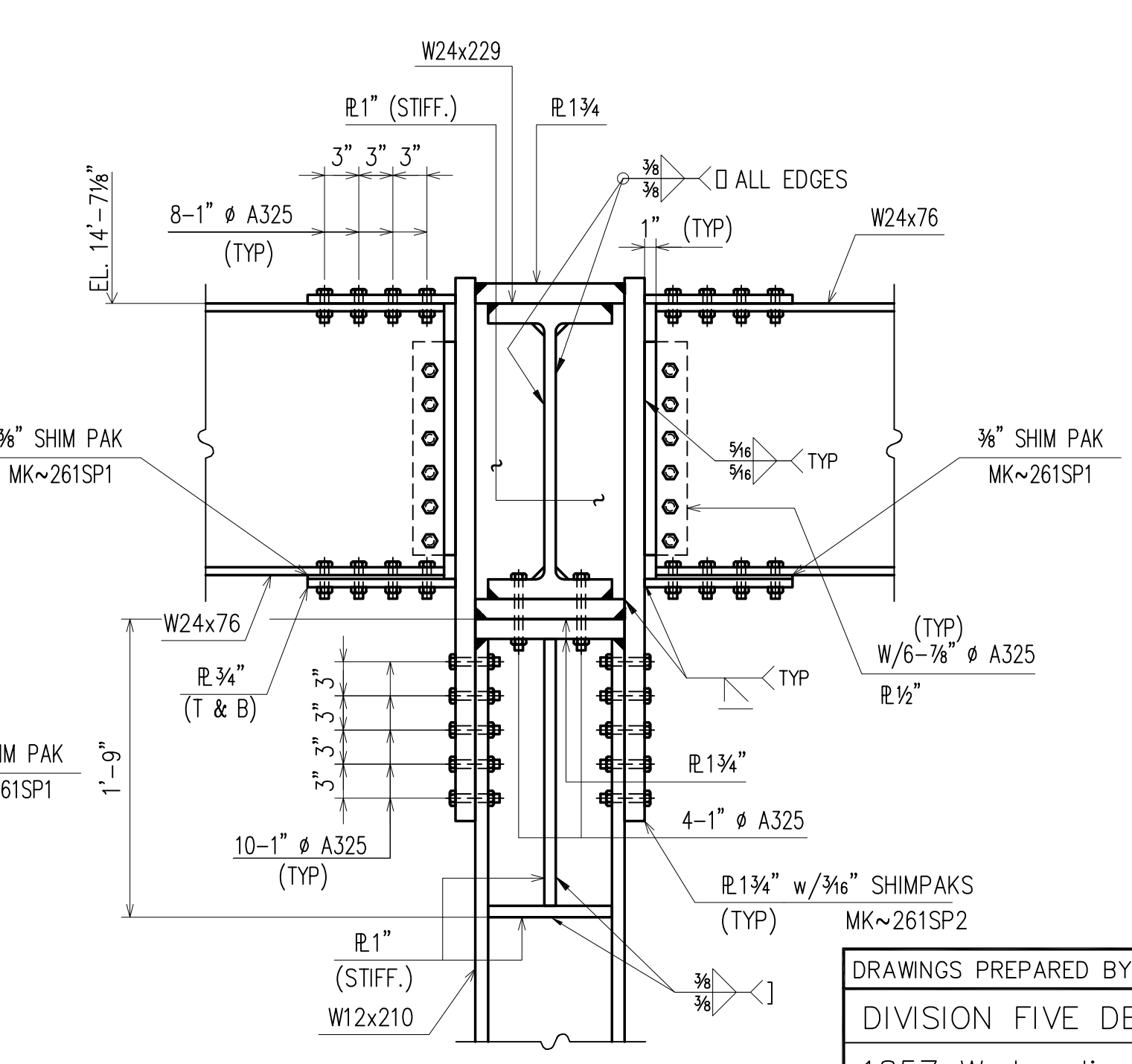
SECTION F
E42



SECTION G
E42



SECTION H
E42



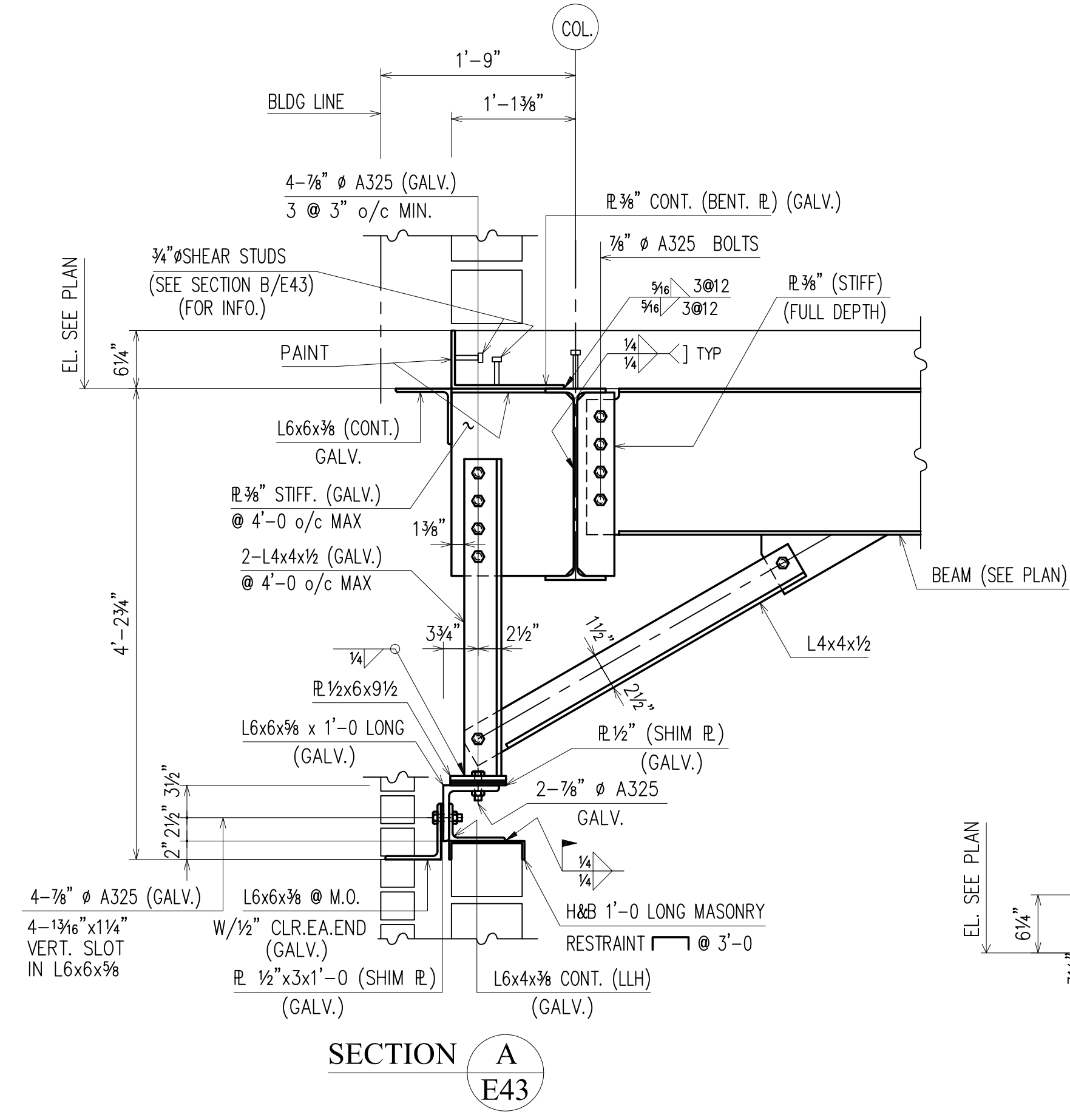
SECTION I
E42

APPROVAL/REVIEW AUTHORITY:
PLEASE REVIEW THIS DRAWING CAREFULLY.
IT REPRESENTS OUR INTERPRETATION OF THE INTENT OF THE CONTRACT DOCUMENTS. HOWEVER, THE STEEL FABRICATOR AND THE STRUCTURAL STEEL DETAILER ASSUME NO RESPONSIBILITY FOR THE ACCURACY OF THE INFORMATION SHOWN ON THIS DRAWING. THIS IS THE RESPONSIBILITY OF THE BUYER.
IT WILL BE ASSUMED THAT ALL INFORMATION SHOWN HEREIN HAS THE AFFIRMATION OF THE APPROVAL AUTHORITY UNLESS NOTED TO THE CONTRARY ON THIS DRAWING WHEN IT IS RETURNED FROM APPROVAL.
SUBSEQUENT CHANGES TO INFORMATION SHOWN ON THESE DRAWINGS AFTER FIRST SUBMISSION WILL BE CONSIDERED AS CONTRACT CHANGES.
ADOPTED BY THE NATIONAL INSTITUTE OF STEEL DETAILING 1977.

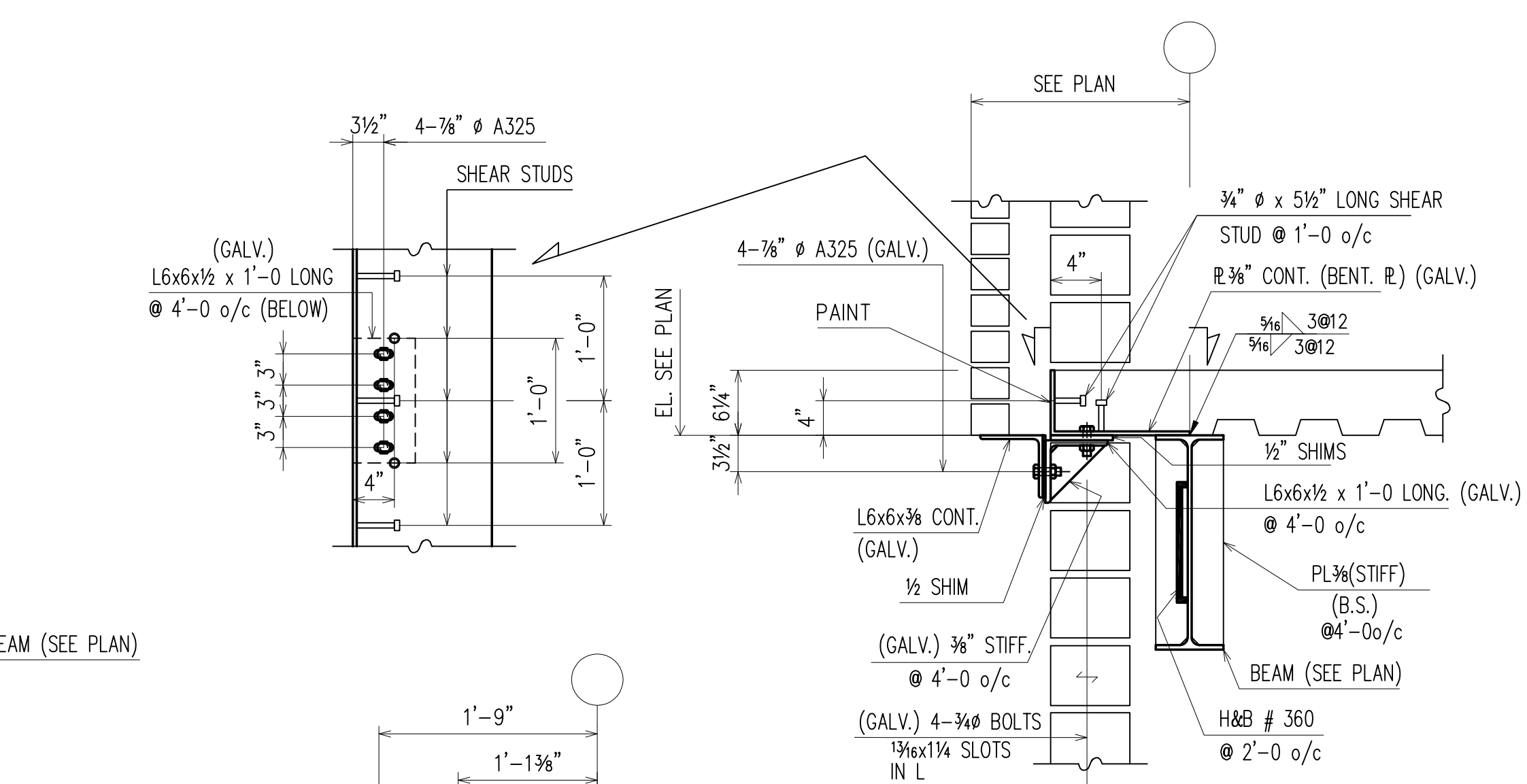
PAINT	NO PAINT U/NOTED				
MATERIAL	GR.50 U/NOTED	1/9	FOR FIELD		
HOLES	15/16" U/NOTED	11/30	PER CHECK/APPL.		
ELECTRODES	E70XX	7/16	PER APPL.		
TOTAL WEIGHT		NO DATE	DESCRIPTION	NO DATE	DESCRIPTION
DIAG. REF #		REVISIONS			

DRAWINGS PREPARED BY:
DIVISION FIVE DETAILING INC.
1857 W. Landis Ave. Suite D
Vineland, New Jersey 08360
Phone: (856) 794-9474
Fax: (856) 696-2027

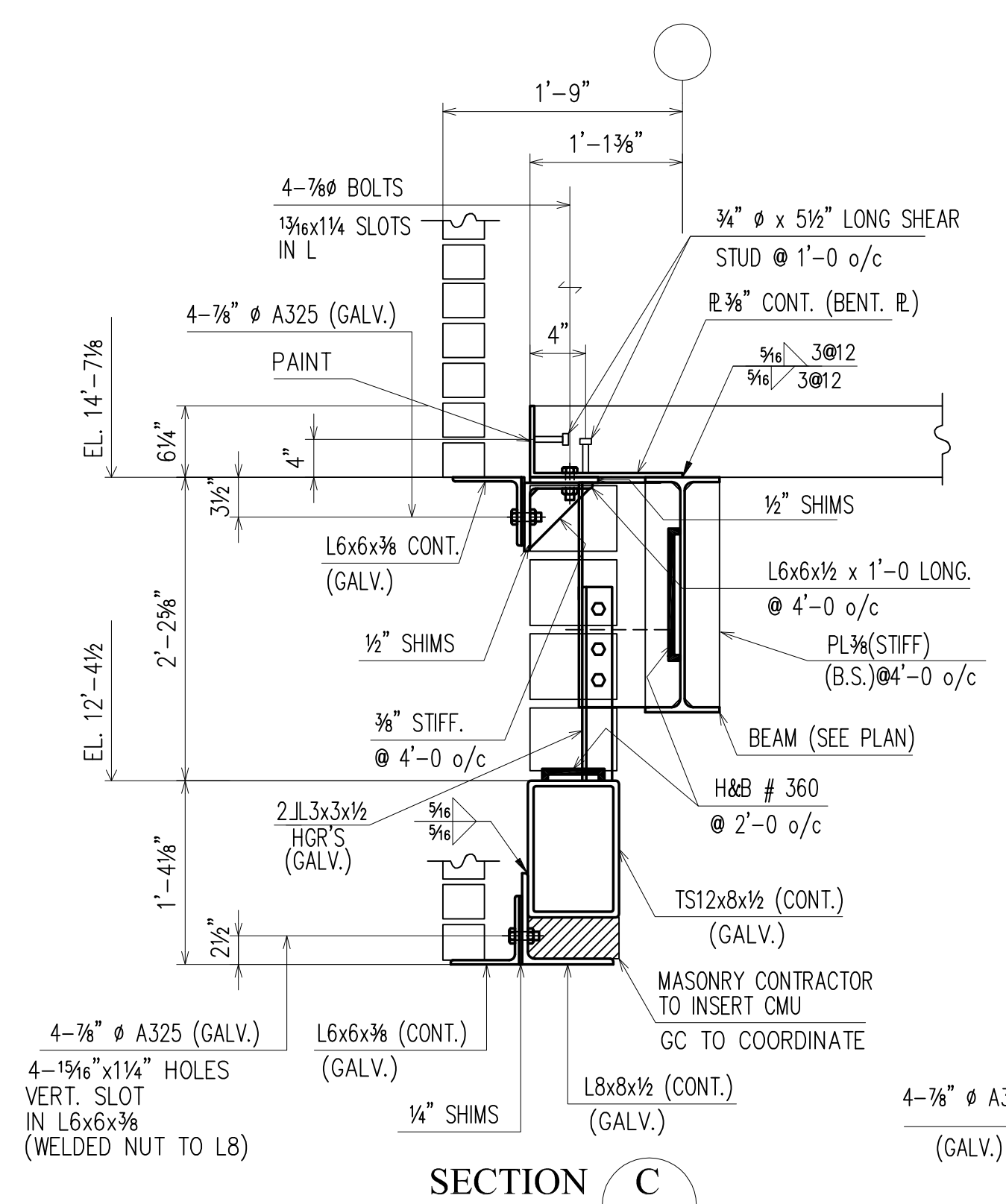
WEIR WELDING CO. INC.		CONTRACT NO	S-616
DRAFTER	Yus	LAW ENFORCEMENT SCHOOL	DWG NO
DATE	4/17/01		E42
CHECKED	BRB		
DATE	11/30/01		



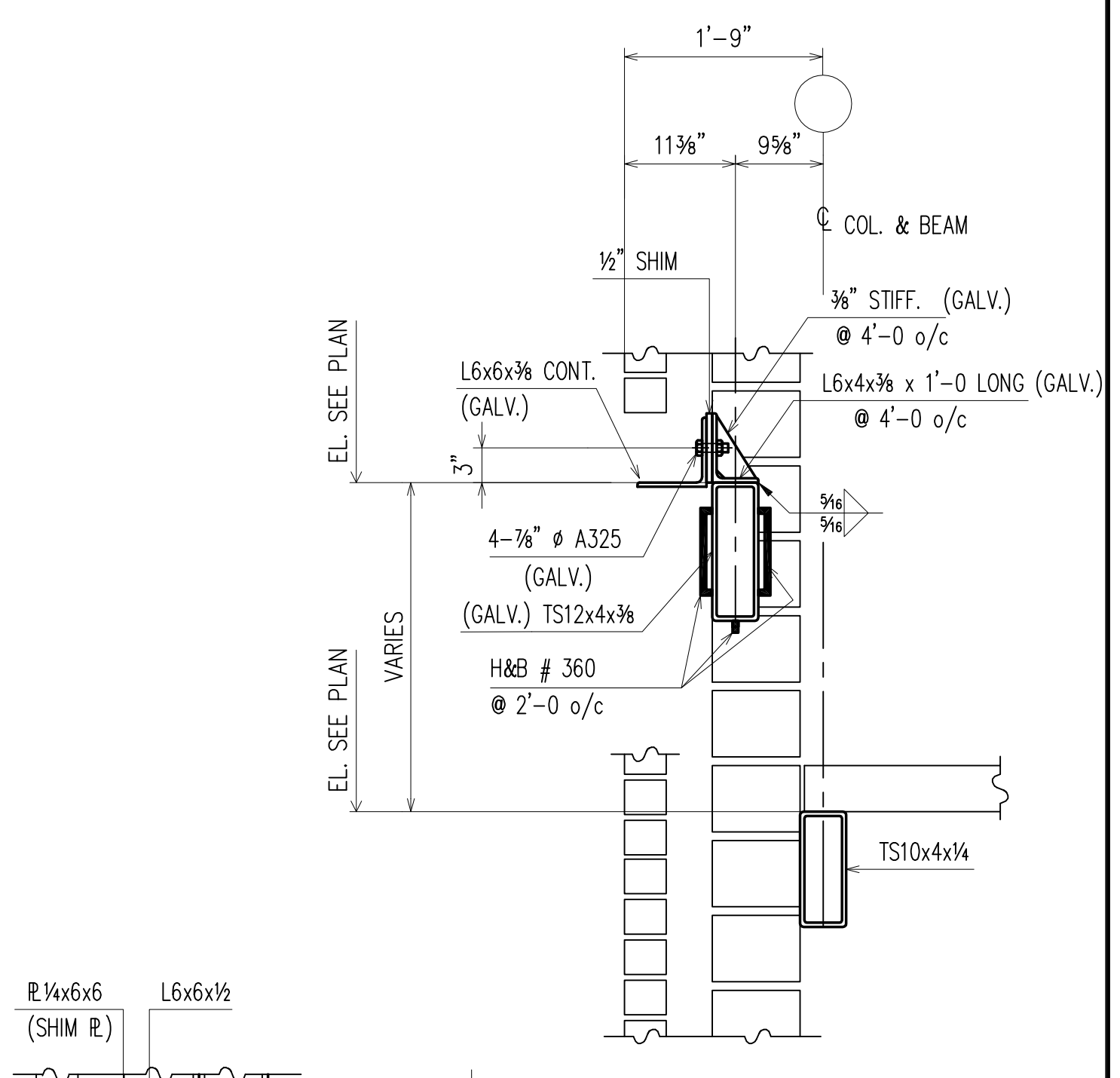
SECTION A
E43



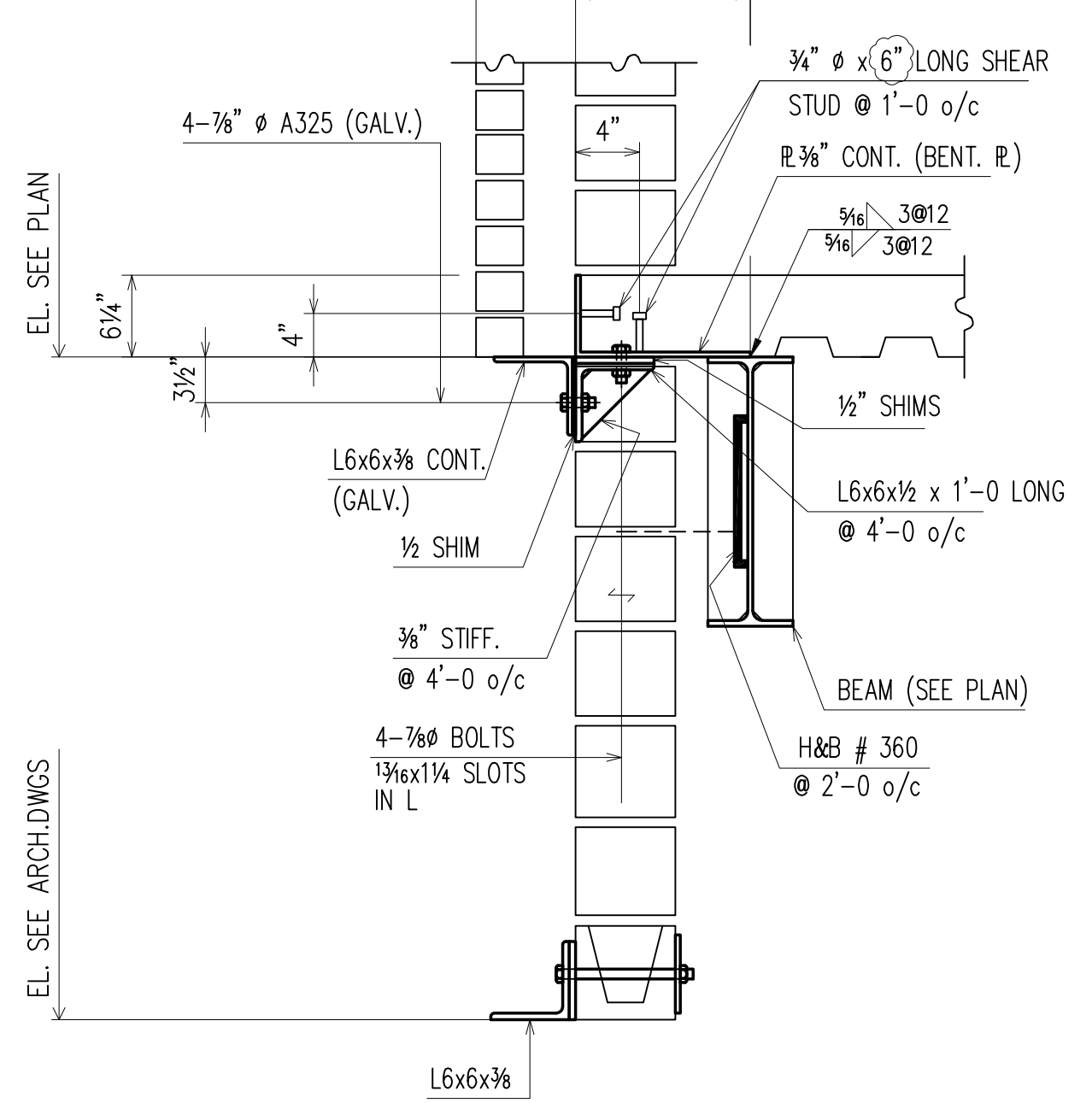
SECTION B
E43



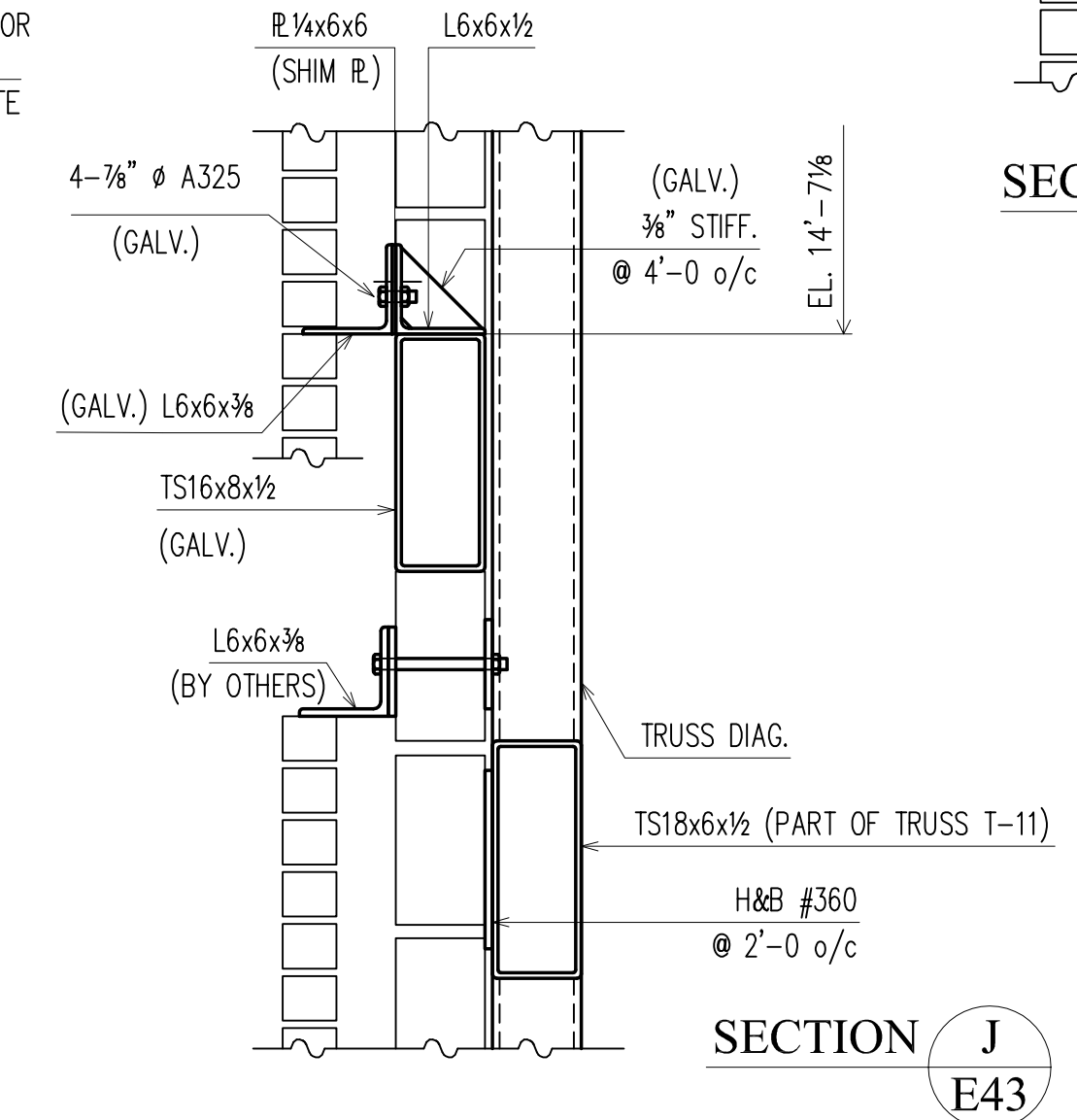
SECTION C
E43



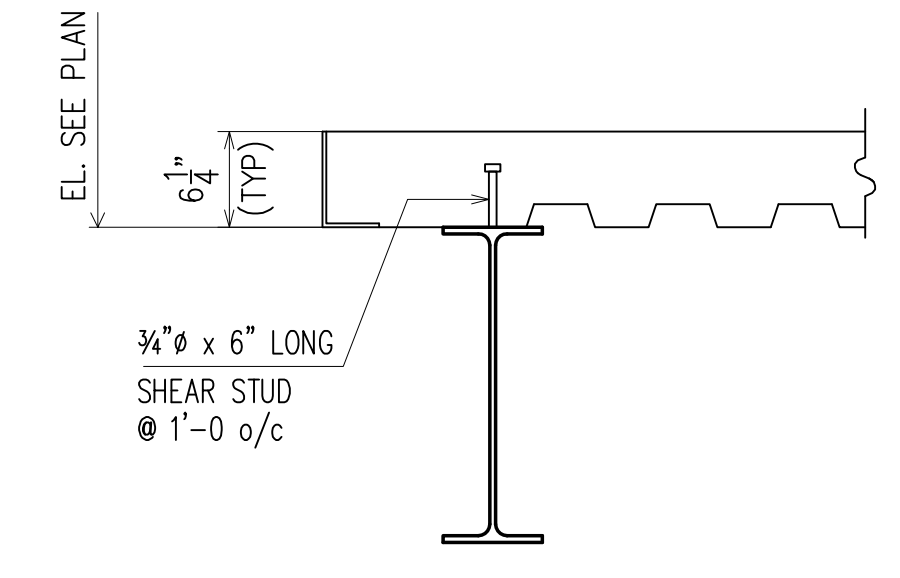
SECTION D
E43



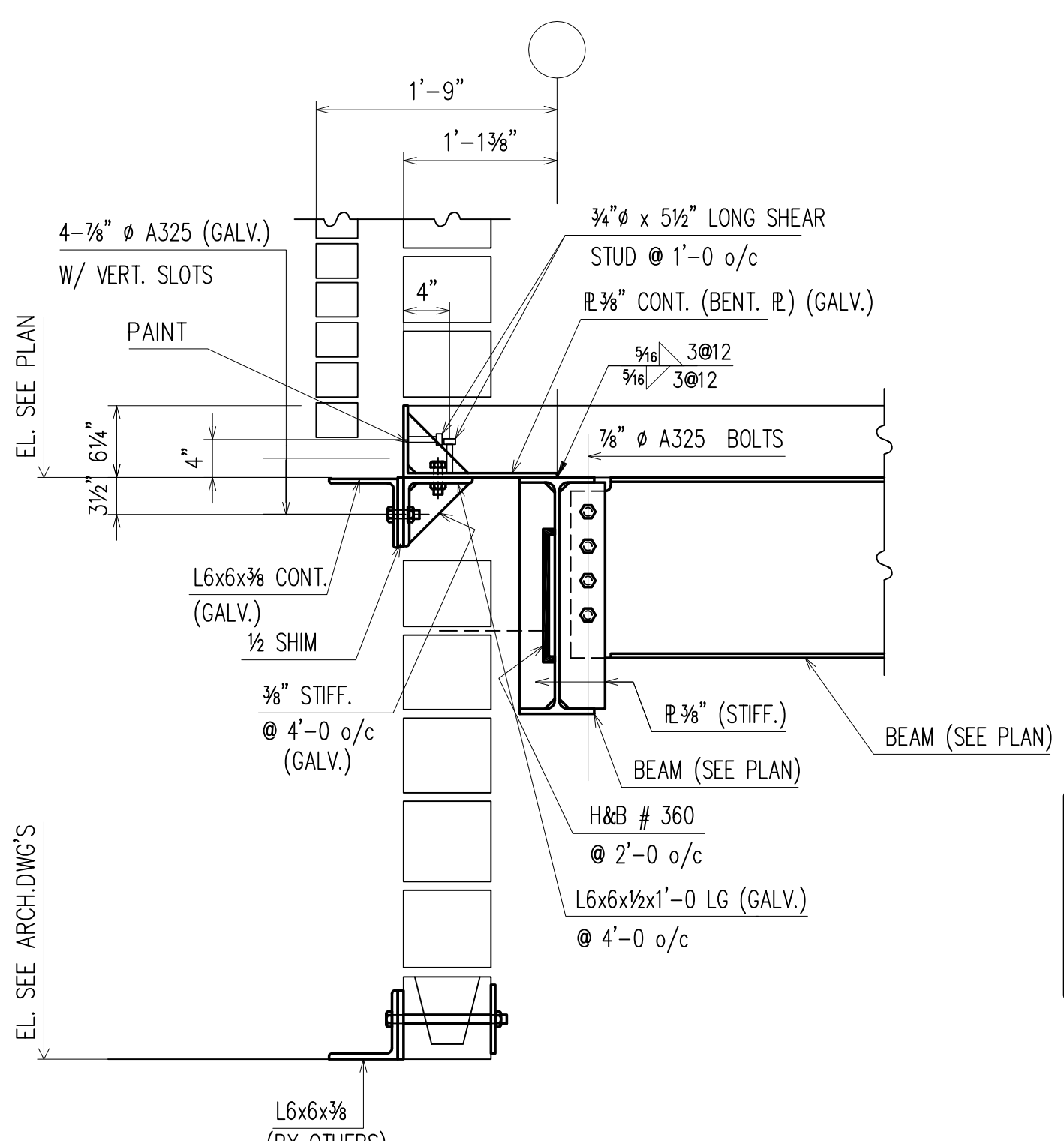
SECTION G
E43



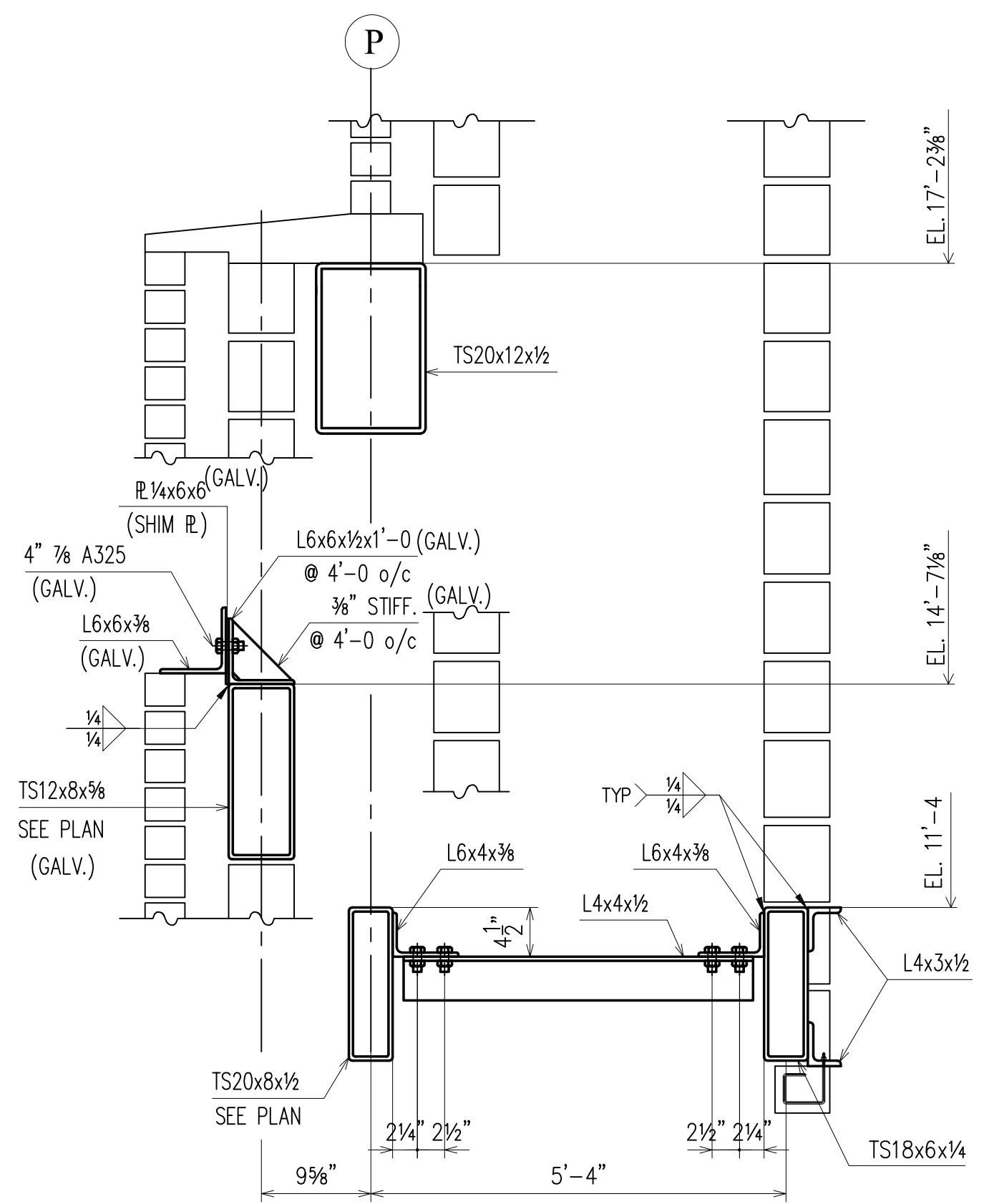
SECTION J
E43



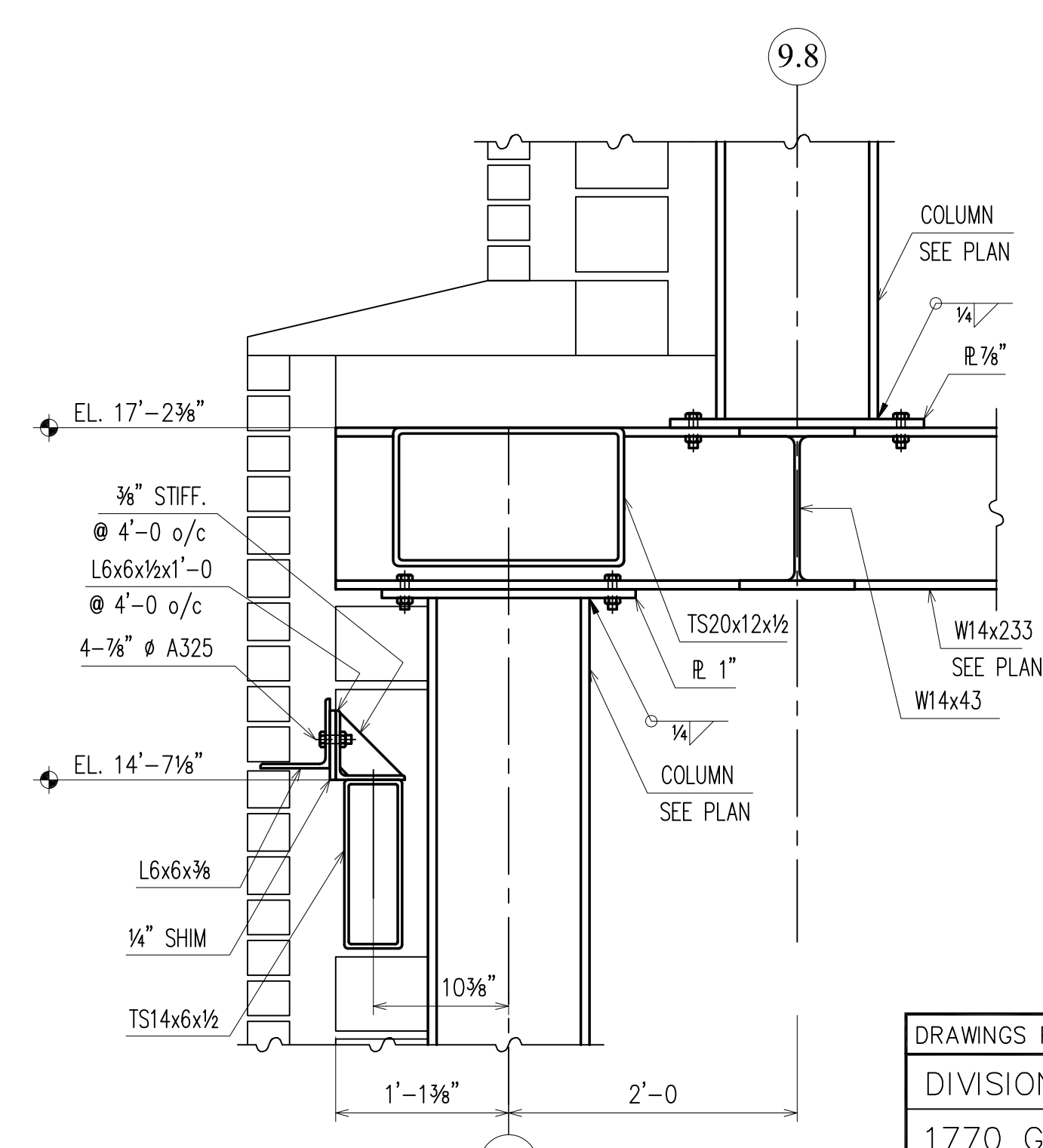
SECTION E
E43



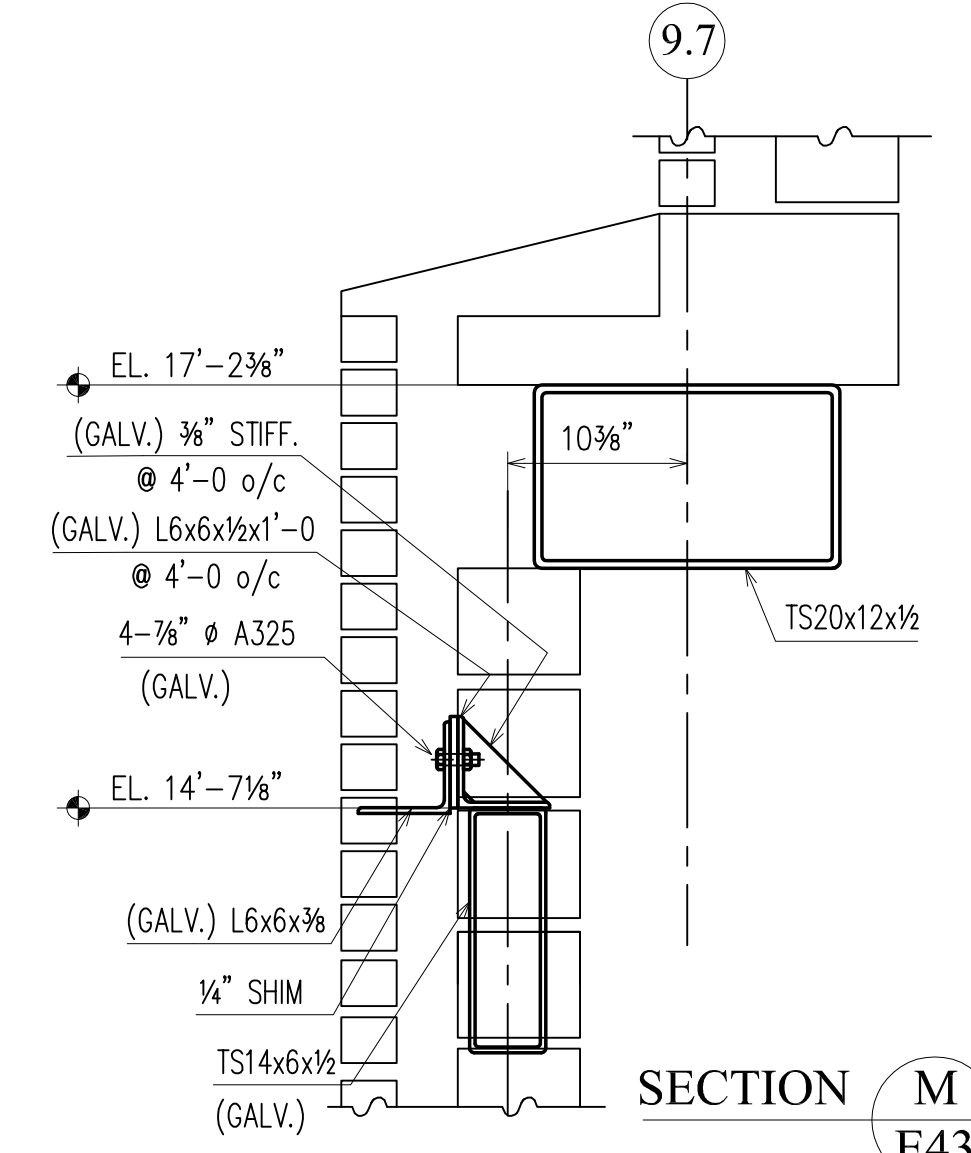
SECTION F
E43



SECTION K
E43



SECTION L
E43



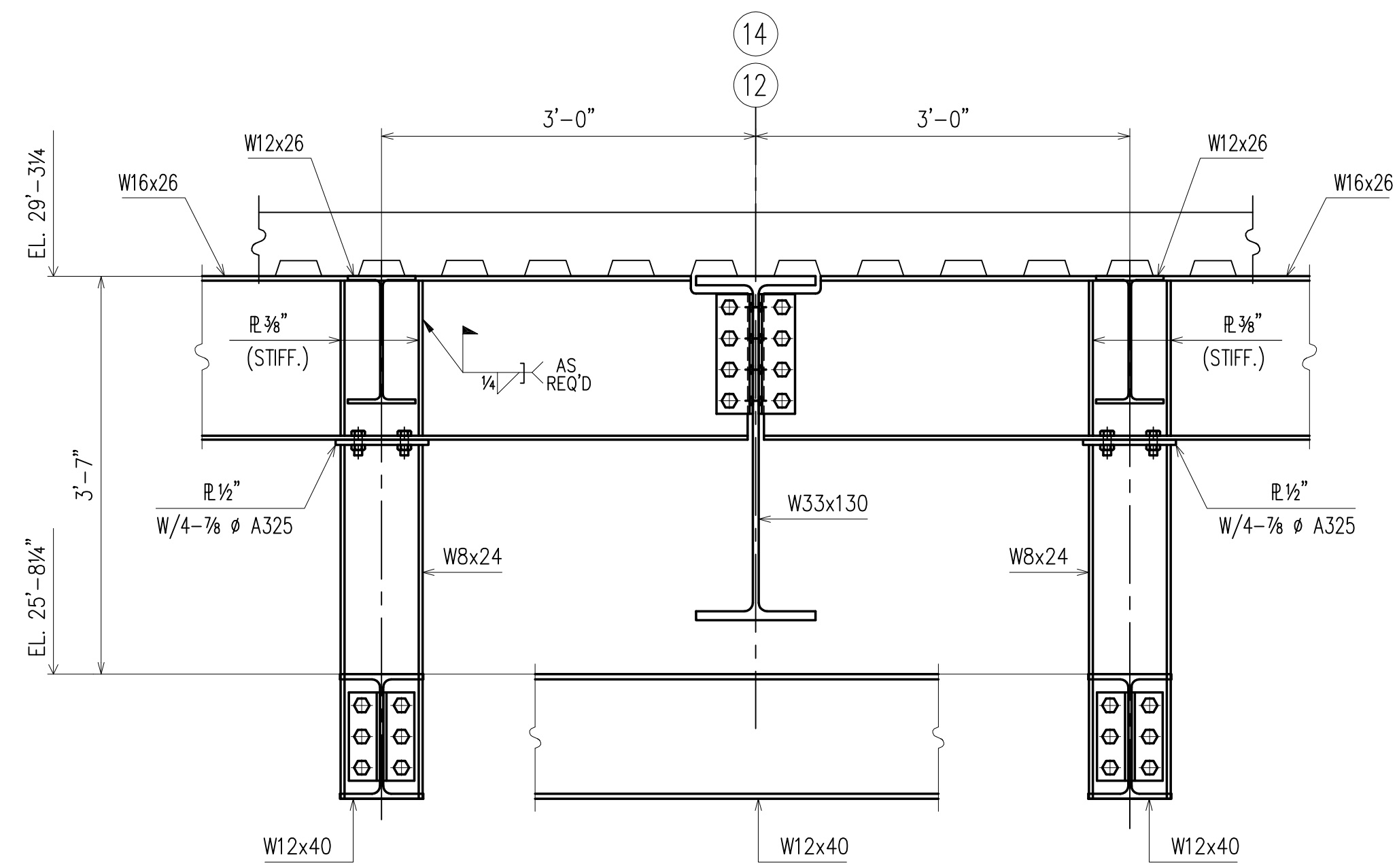
SECTION M
E43

APPROVAL/REVIEW AUTHORITY:
PLEASE REVIEW THIS DRAWING CAREFULLY.
IT REPRESENTS OUR INTERPRETATION OF THE INTENT OF THE CONTRACT DOCUMENTS. HOWEVER, THE STEEL FABRICATOR AND THE STRUCTURAL STEEL DETAILER ASSUME NO RESPONSIBILITY FOR THE ACCURACY OF THE INFORMATION SHOWN ON THIS DRAWING. THIS IS THE RESPONSIBILITY OF THE BUYER.
IT WILL BE ASSUMED THAT ALL INFORMATION SHOWN HEREIN HAS THE AFFIRMATION OF THE APPROVAL AUTHORITY UNLESS NOTED TO THE CONTRARY ON THIS DRAWING WHEN IT IS RETURNED FROM APPROVAL.
SUBSEQUENT CHANGES TO INFORMATION SHOWN ON THESE DRAWINGS AFTER FIRST SUBMISSION WILL BE CONSIDERED AS CONTRACT CHANGES.
ADOPTED BY THE NATIONAL INSTITUTE OF STEEL DETAILING 1977.

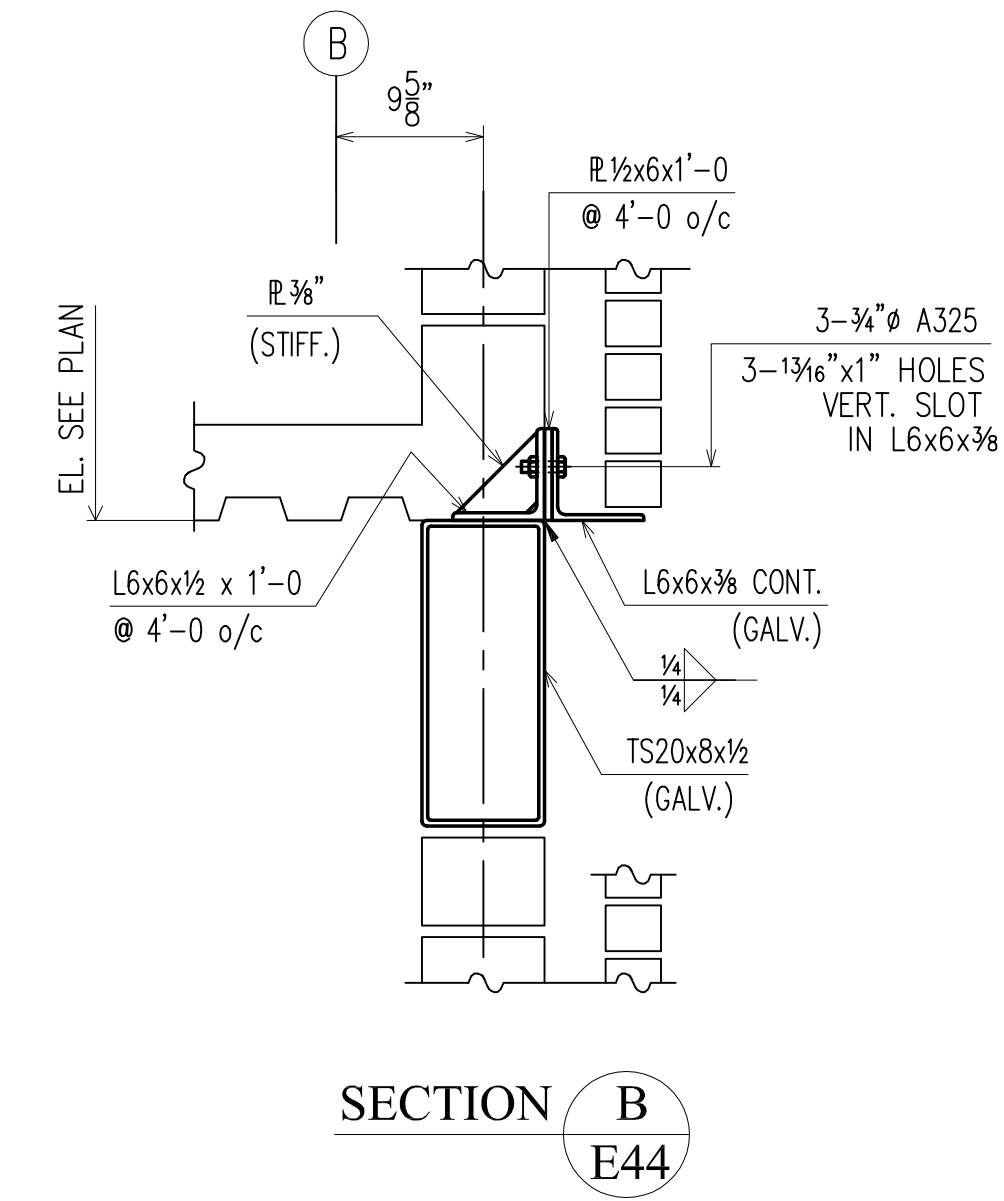
DRAWINGS PREPARED BY:
DIVISION FIVE DETAILING INC.
1770 Gallagher Drive
Vineland, New Jersey 08360
Phone: (856) 794-9474
Fax: (856) 696-2027

PAIN	NO PAINT U/NOTED	10/26	FOR FIELD		
MATERIAL	GR.50 U/NOTED	9/06	PER ENGINEER		
HOLES	15/16" U/NOTED	8/17	PER ADDENDUM	1/9	FOR FIELD
ELECTRODES	E70XX	7/16	PER APPLV.	11/30	PER APPLV.
TOTAL WEIGHT		NO DATE	DESCRIPTION	NO DATE	DESCRIPTION
DIAG. REF #		REVISIONS			

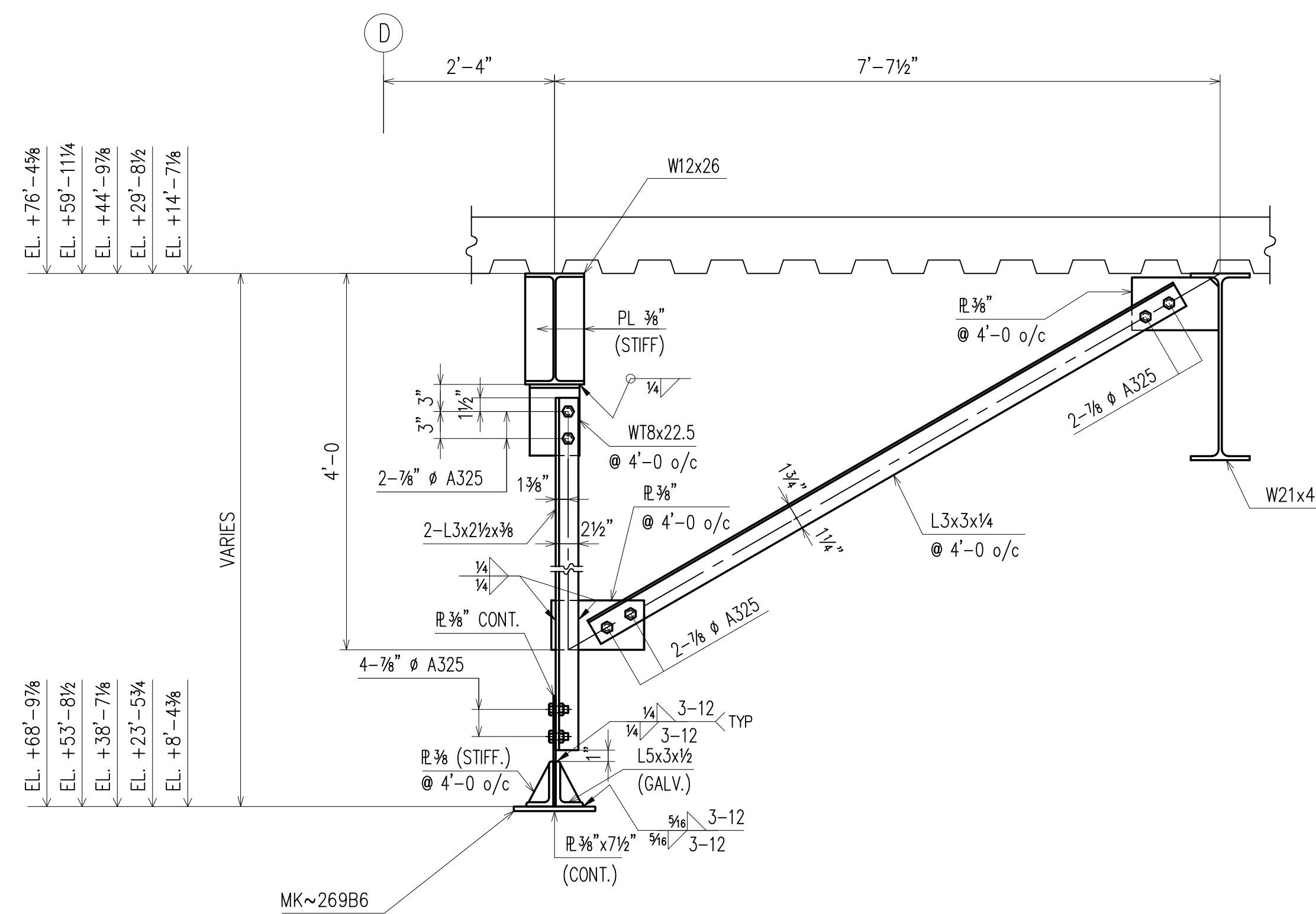
WEIR WELDING CO. INC.
LAW ENFORCEMENT SCHOOL
CONTRACT NO S-616
DWG NO E43



SECTION A
E44



SECTION B
E44



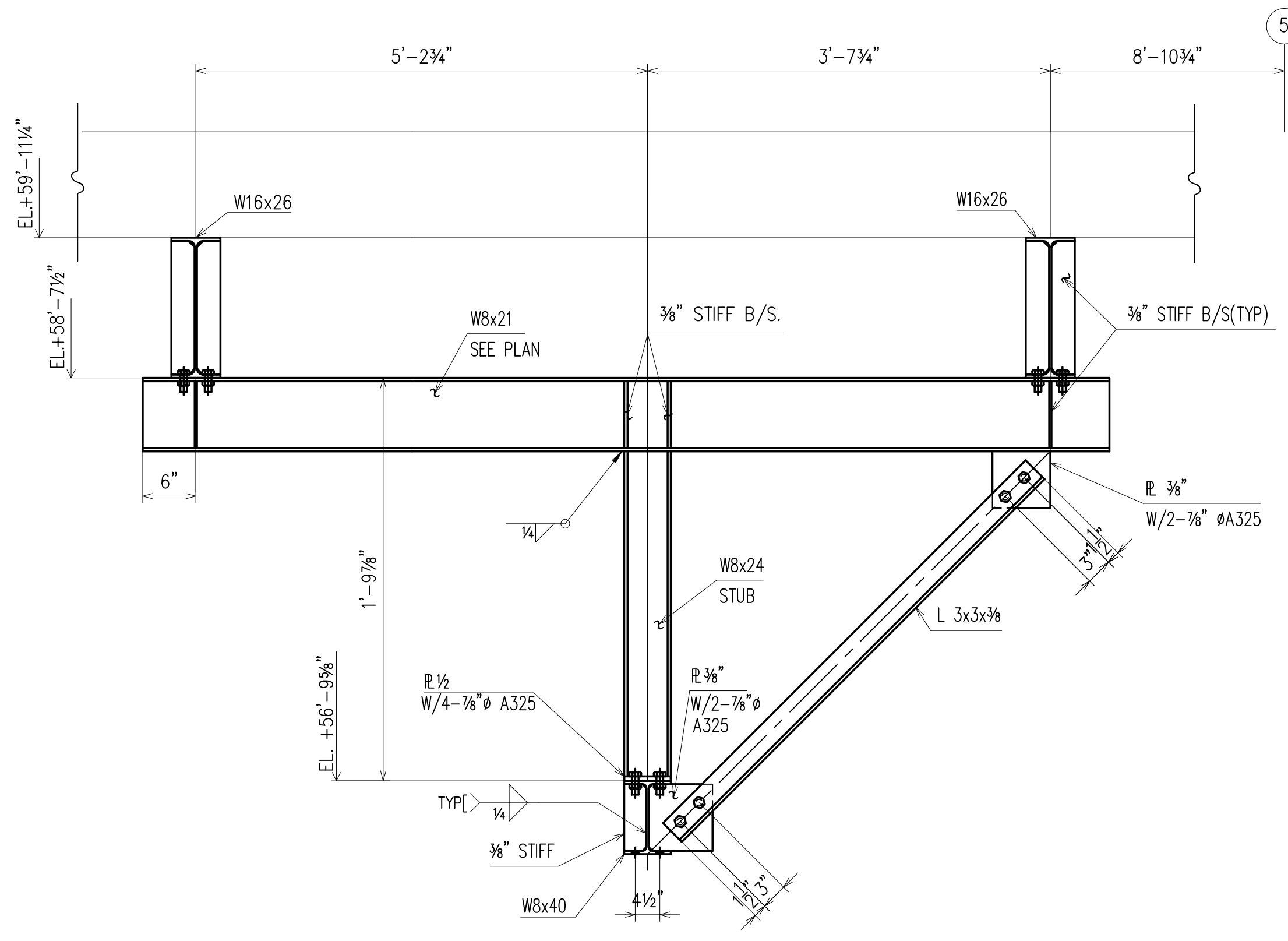
SECTION E
E44

APPROVAL/REVIEW AUTHORITY:
PLEASE REVIEW THIS DRAWING CAREFULLY.
IT REPRESENTS OUR INTERPRETATION OF THE INTENT OF
THE CONTRACT DOCUMENTS. HOWEVER, THE STEEL
FABRICATOR AND THE STRUCTURAL STEEL DETAILER
ASSUME NO RESPONSIBILITY FOR THE ACCURACY OF THE
INFORMATION SHOWN ON THIS DRAWING. THIS IS THE
RESPONSIBILITY OF THE BUYER.
IT WILL BE ASSUMED THAT ALL INFORMATION SHOWN
HEREIN HAS THE AFFIRMATION OF THE APPROVAL
AUTHORITY UNLESS NOTED TO THE CONTRARY ON THIS
DRAWING WHEN IT IS RETURNED FROM APPROVAL.
SUBSEQUENT CHANGES TO INFORMATION SHOWN ON
THESE DRAWINGS AFTER FIRST SUBMISSION WILL BE
CONSIDERED AS CONTRACT CHANGES.
ADOPTED BY THE NATIONAL INSTITUTE OF STEEL DETAILING 1977.

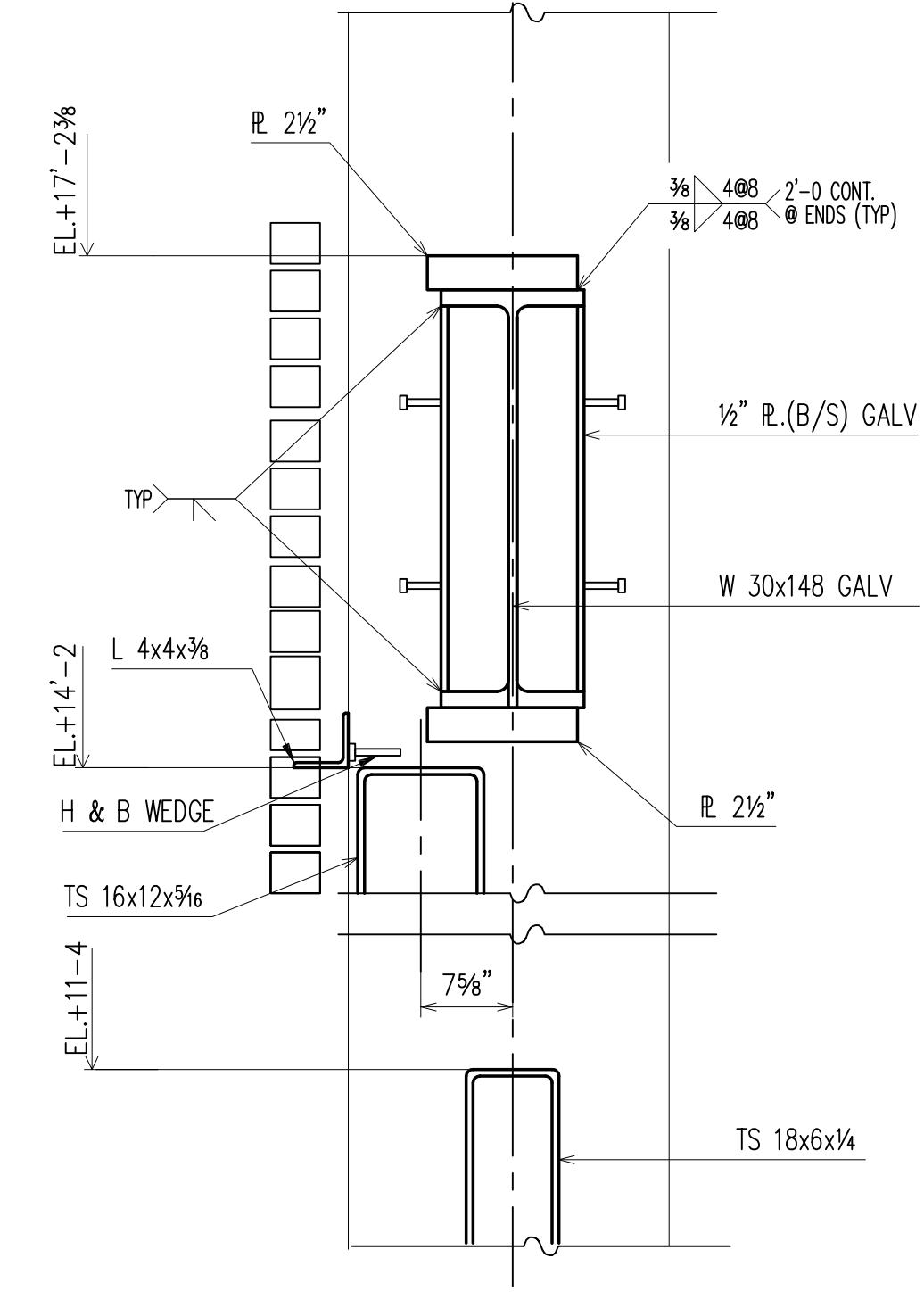
DIAG. REF #	REVISIONS	NO	DATE	DESCRIPTION	NO	DATE	DESCRIPTION
		10/26		PER CHECK/FIELD			
		9/06		PER ENGINEER			
		8/20		PER ADDENDUMS	1/9		FOR FIELD
		7/25		PER APPVL	11/30		PER CHECK/ APPVL

DRAWINGS PREPARED BY:
DIVISION FIVE DETAILING INC.
1770 Gallagher Drive
Vineland, New Jersey 08360
Phone: (856) 794-9474
Fax: (856) 696-2027

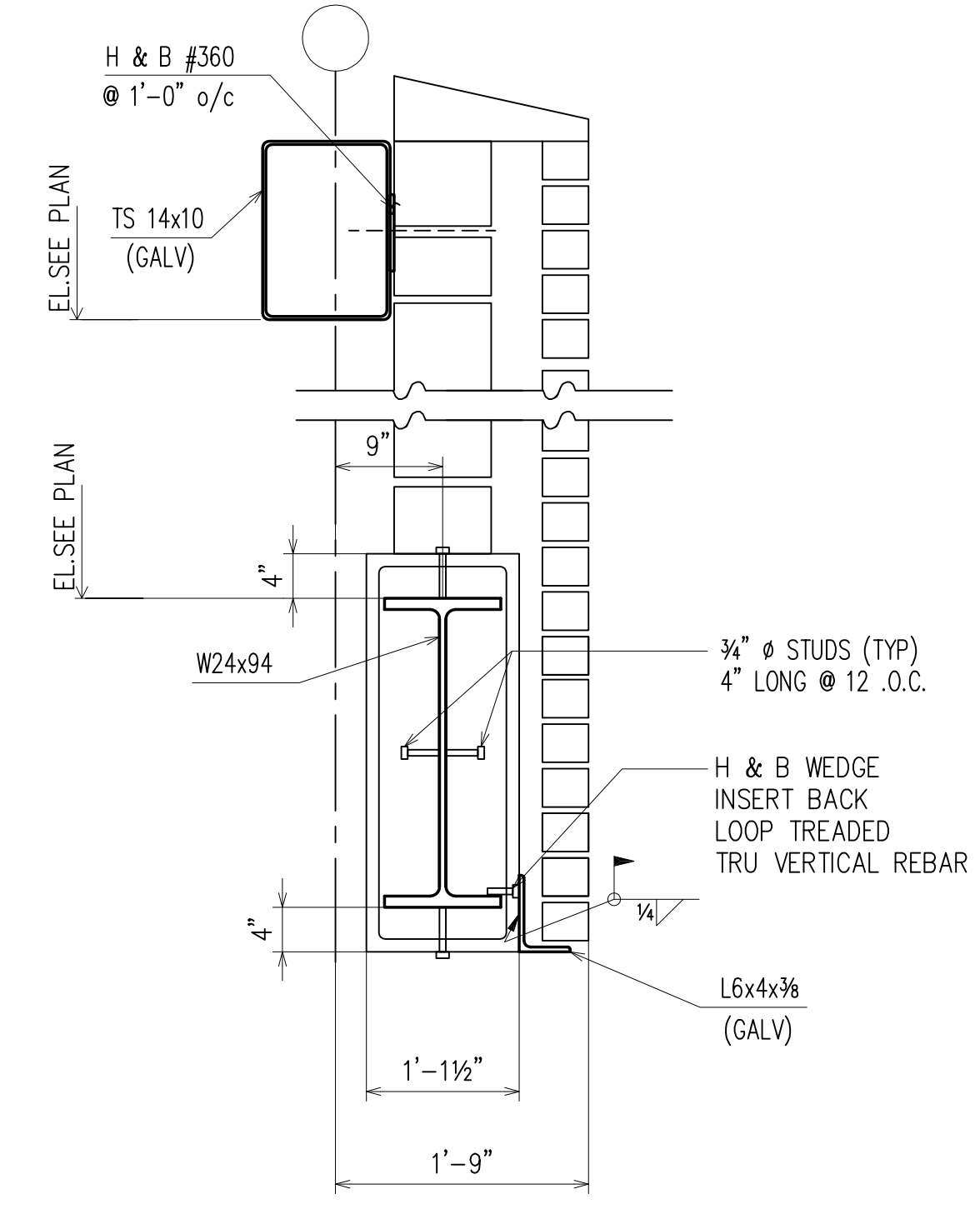
WEIR WELDING CO. INC.		CONTRACT NO S-616
DRAFTER Yus	LAW ENFORCEMENT SCHOOL	DWG NO E44
DATE 4/17/01		
CHECKED D5		
DATE 10/28/01		



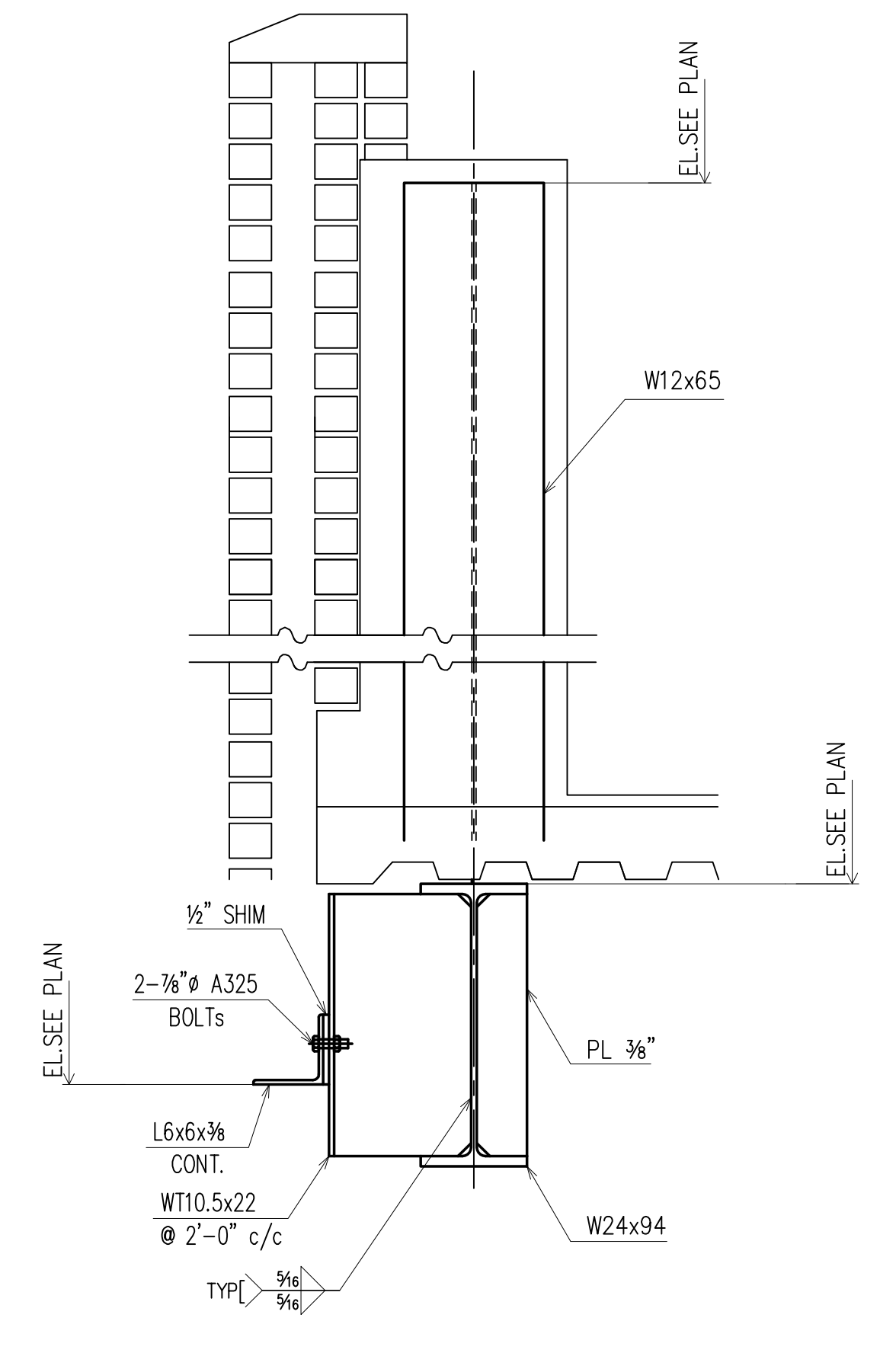
SECTION A
E45



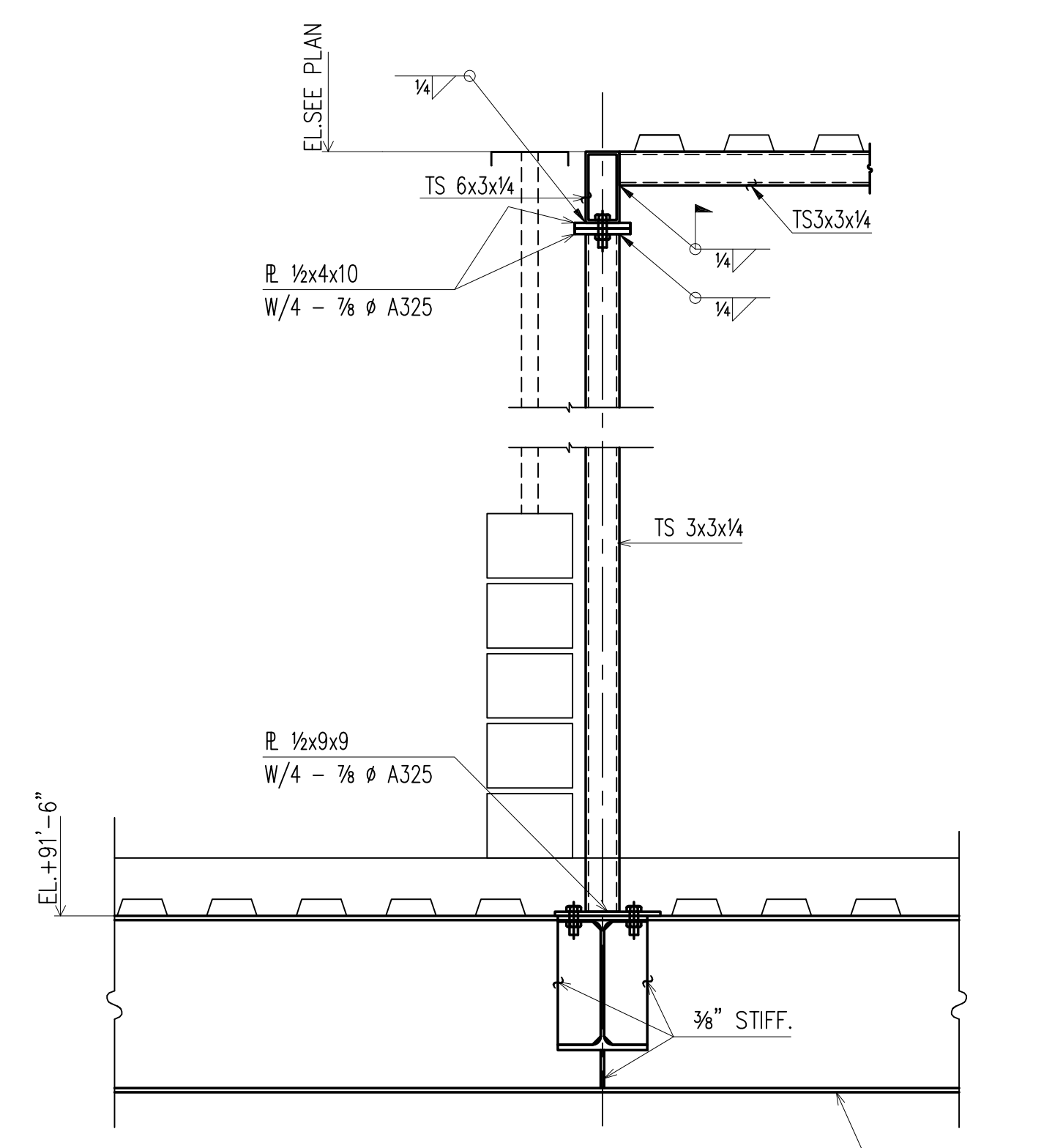
SECTION B
E45



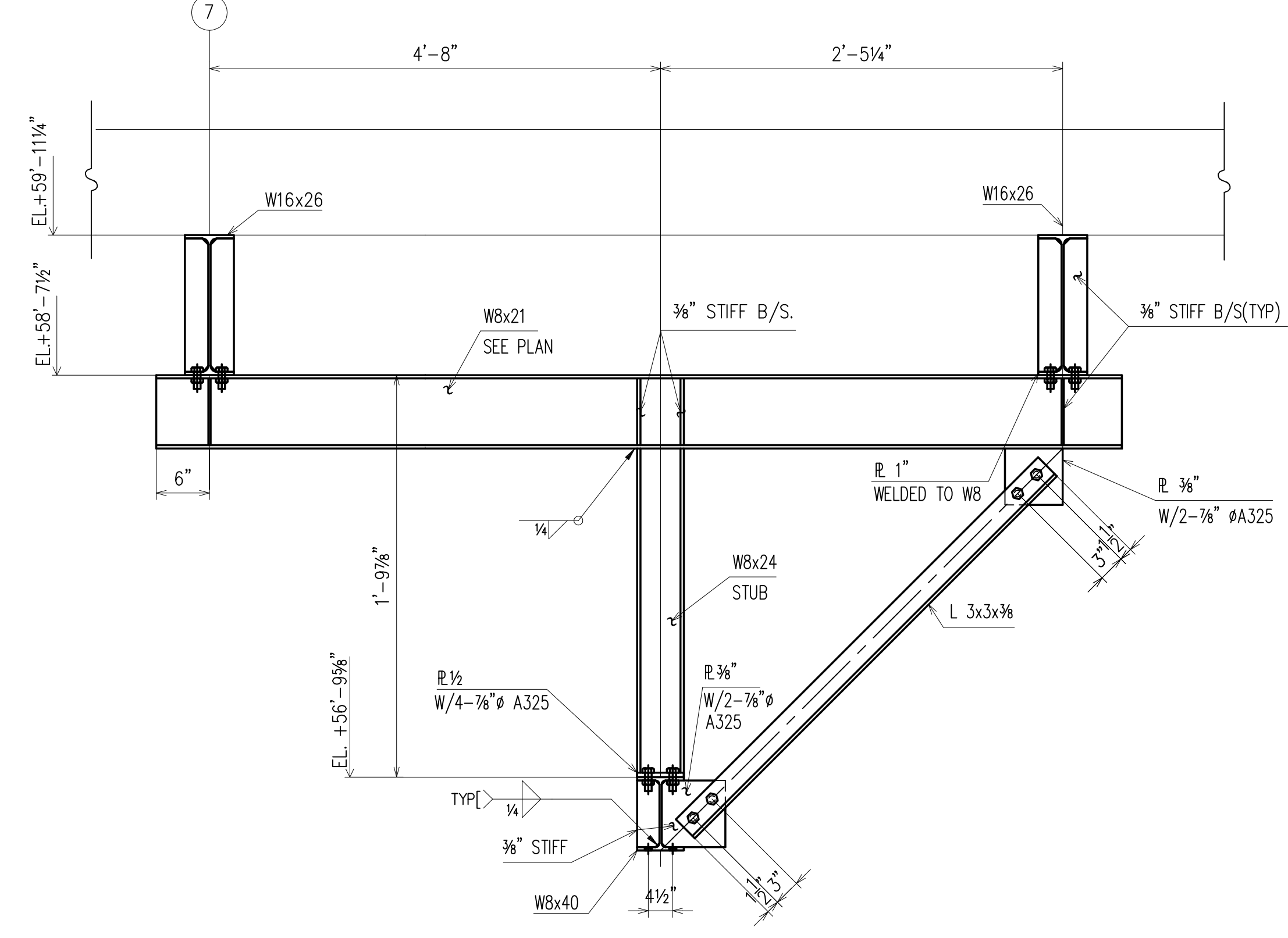
SECTION C
E45



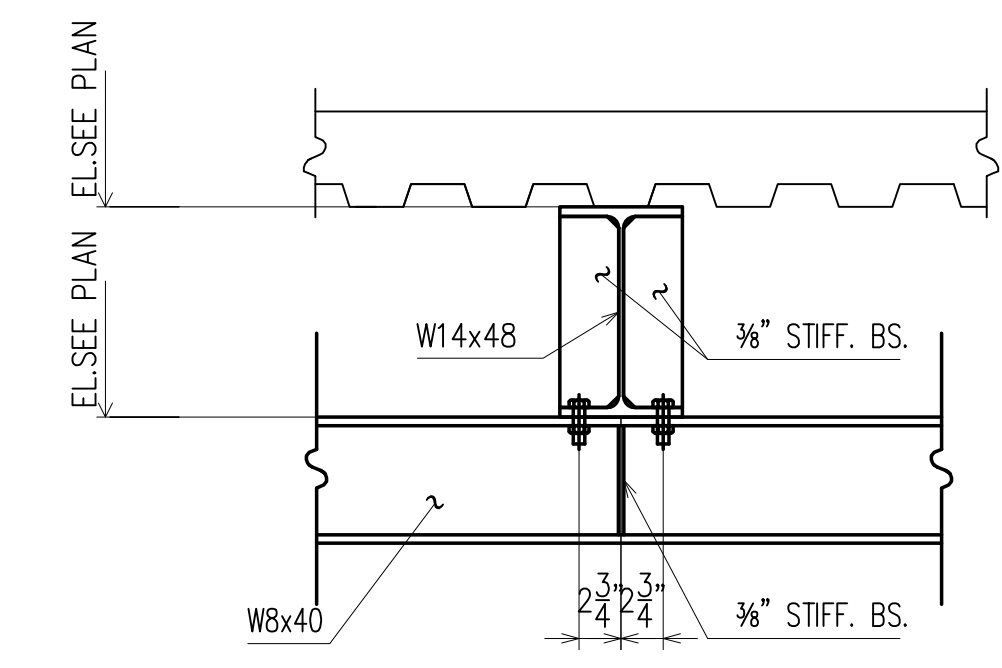
SECTION D
E45



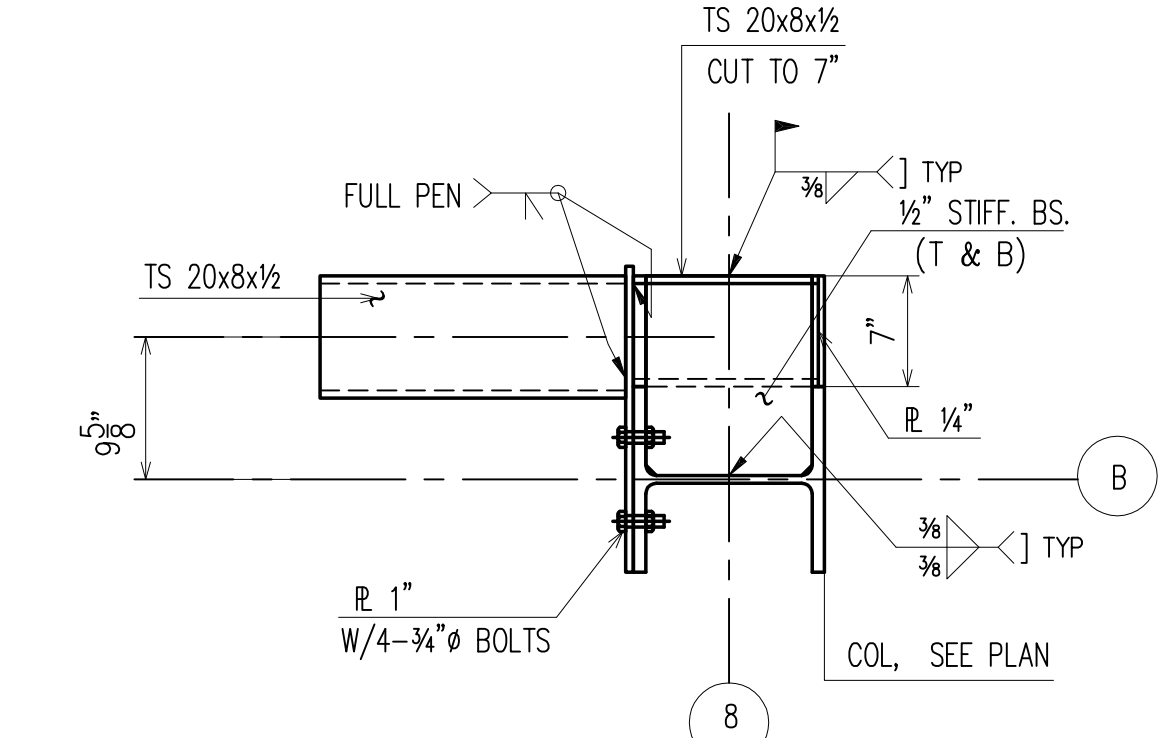
SECTION E
E45



SECTION F
E45



SECTION G
E45



SECTION H
E45

IT REPRESENTS OUR INTERPRETATION OF THE INTENT OF FABRICATOR AND THE STRUCTURAL STEEL DETAILER. ASSUME NO RESPONSIBILITY FOR THE ACCURACY OF THE INFORMATION SHOWN ON THIS DRAWING. THIS IS THE RESPONSIBILITY OF THE BUYER.

IT WILL BE ASSUMED THAT ALL INFORMATION SHOWN HEREIN HAS THE AFFIRMATION OF THE APPROVAL AUTHORITY UNLESS NOTED TO THE CONTRARY ON THIS DRAWING WHEN IT IS RETURNED FROM APPROVAL.

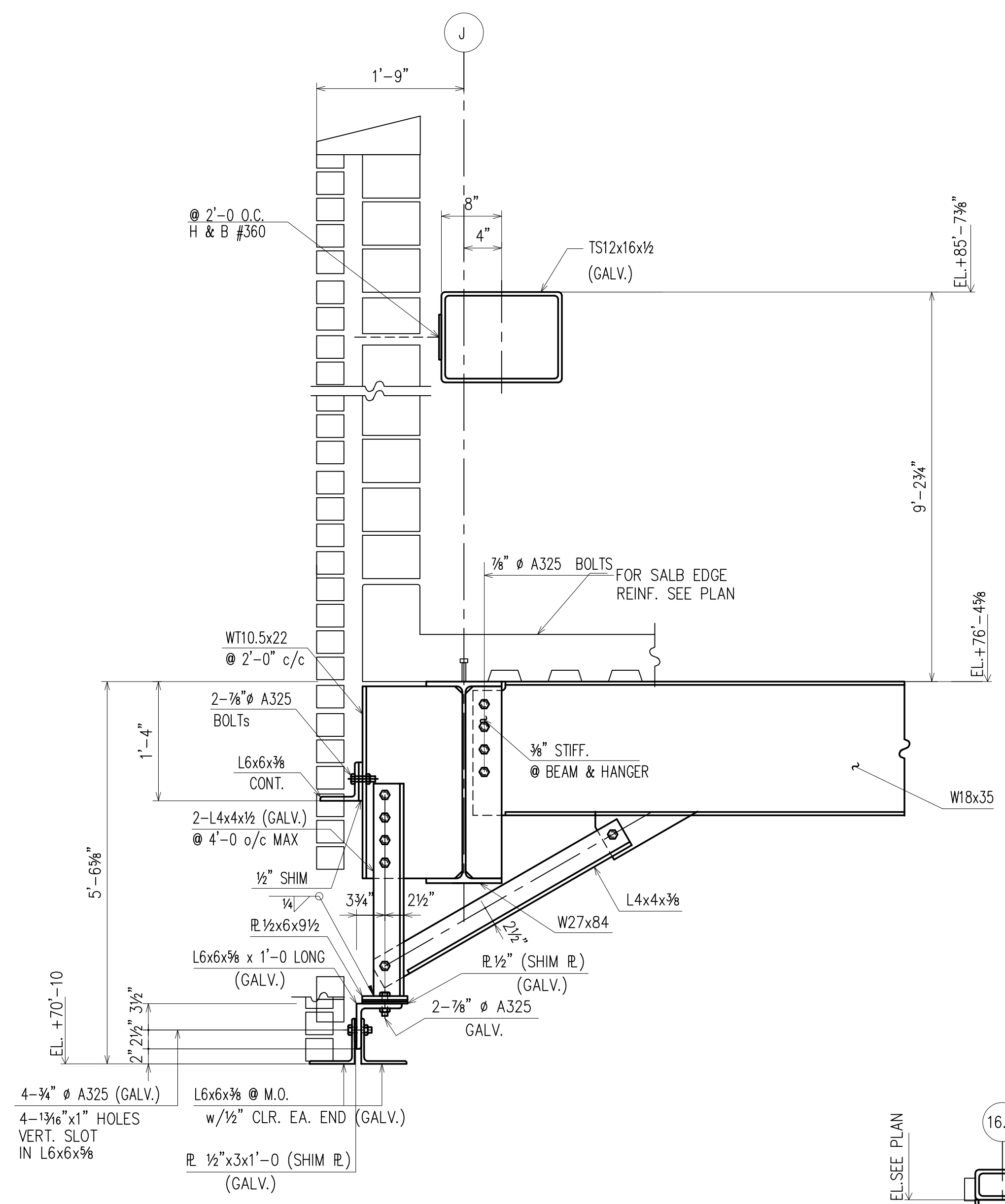
SUBSEQUENT CHANGES TO INFORMATION SHOWN ON THESE DRAWINGS AFTER FIRST SUBMISSION WILL BE CONSIDERED AS CONTRACT CHANGES.

ADOPTED BY THE NATIONAL INSTITUTE OF STEEL DETAILING 1977.

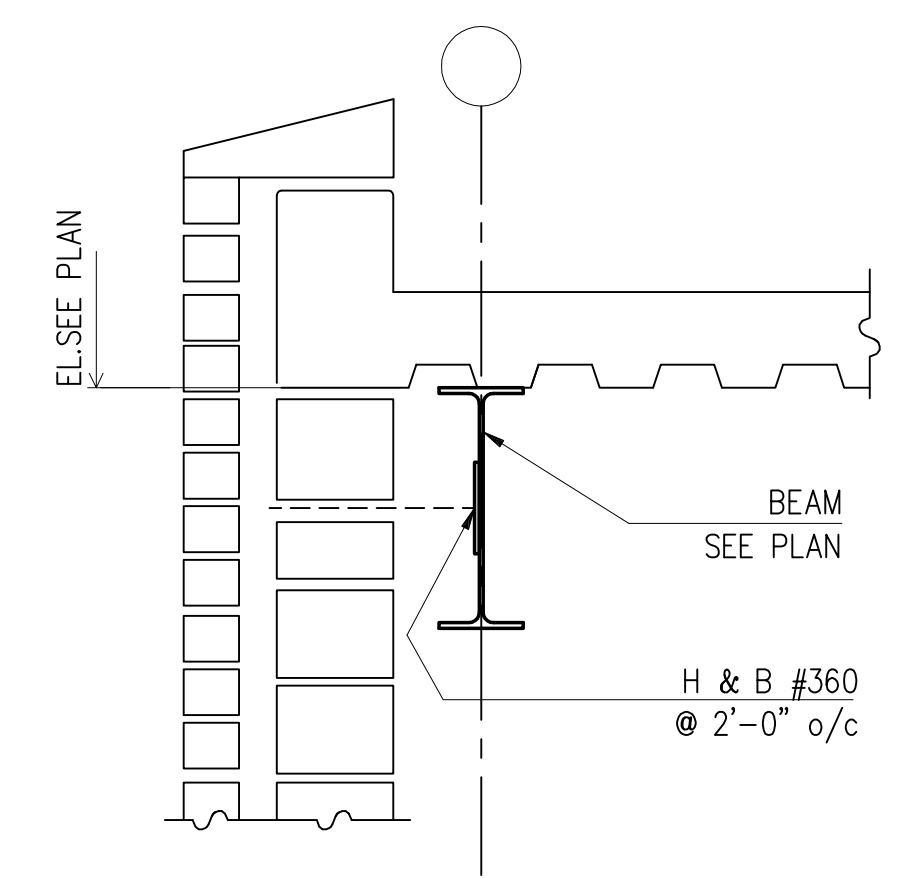
DRAWINGS PREPARED BY:
DIVISION FIVE DETAILING INC.
1770 Gallagher Drive
Vineland, New Jersey 08360
Phone: (856) 794-9474
Fax: (856) 696-2027

PAINT		10/26 FOR FIELD	
MATERIAL	ONE SHOP COAT U/NOTED	9/06	PER ENGINEER
HOLES	GR.50 U/NOTED	8/20	PER ADDENDUMS
ELECTRODES	15/16" U/NOTED	7/16	PER APPVL
TOTAL WEIGHT	E70XX	11/29	PARTITION INFO.
DIAG. REF #		NO DATE DESCRIPTION NO DATE DESCRIPTION	
REVISIONS			

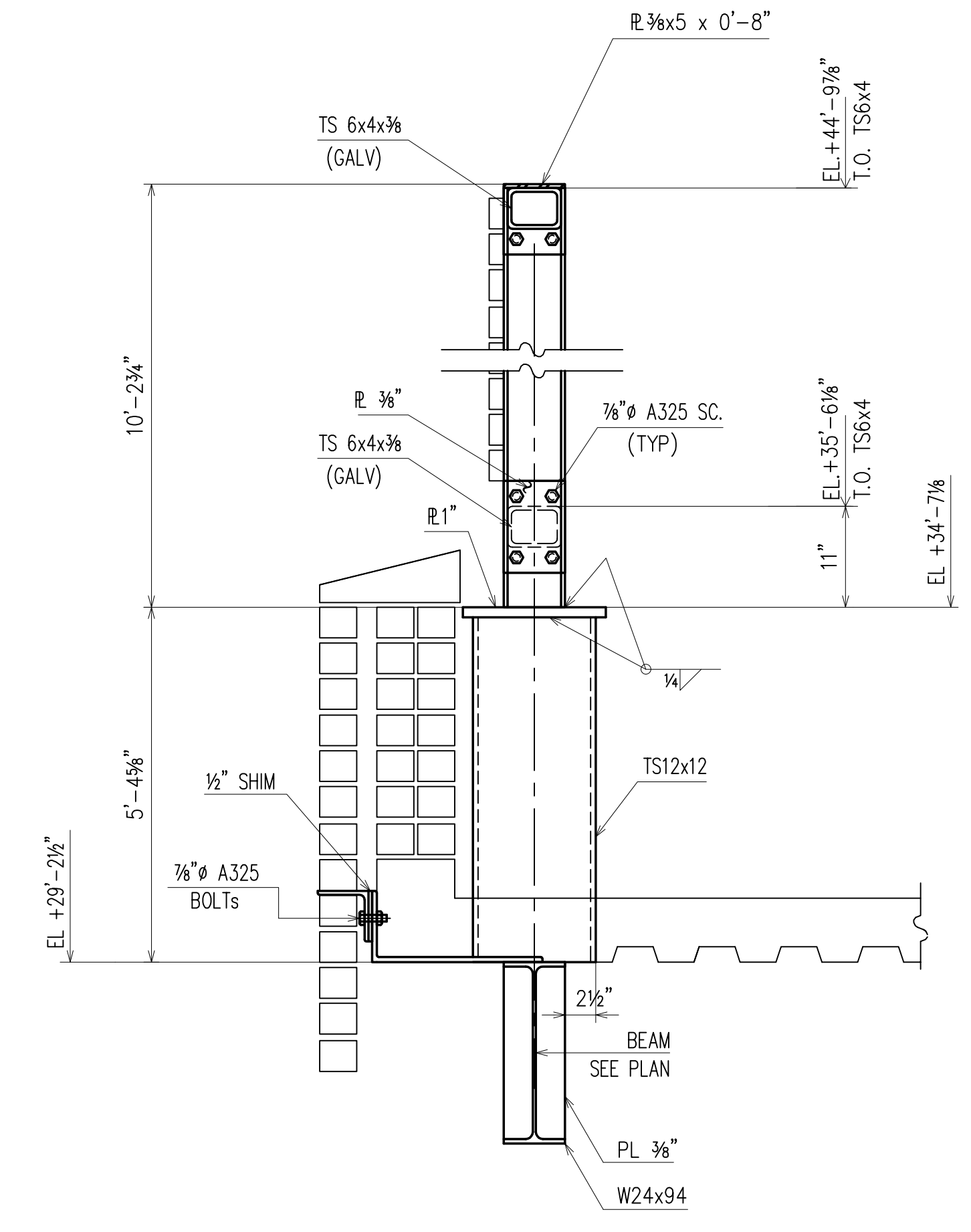
WEIR WELDING CO. INC.		CONTRACT NO S-616	
DRAFTER HY		LAW ENFORCEMENT SCHOOL	
DATE 05/09/01	CHECKED	DWG NO E45	
DATE			



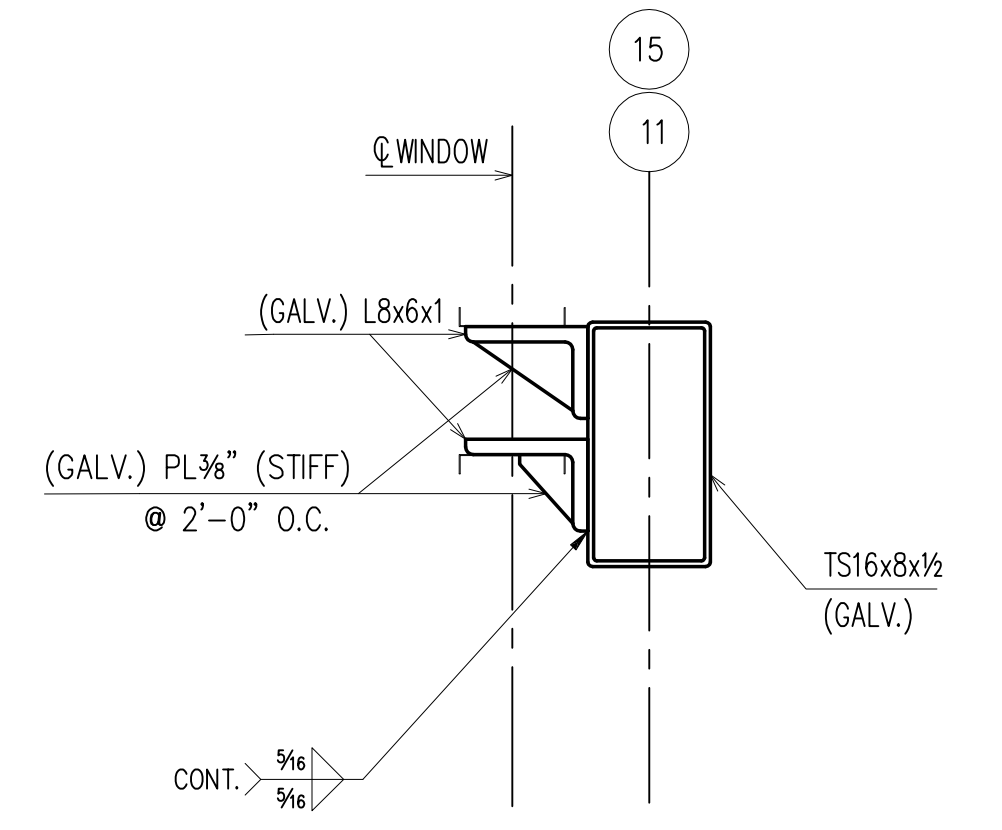
SECTION A
E46



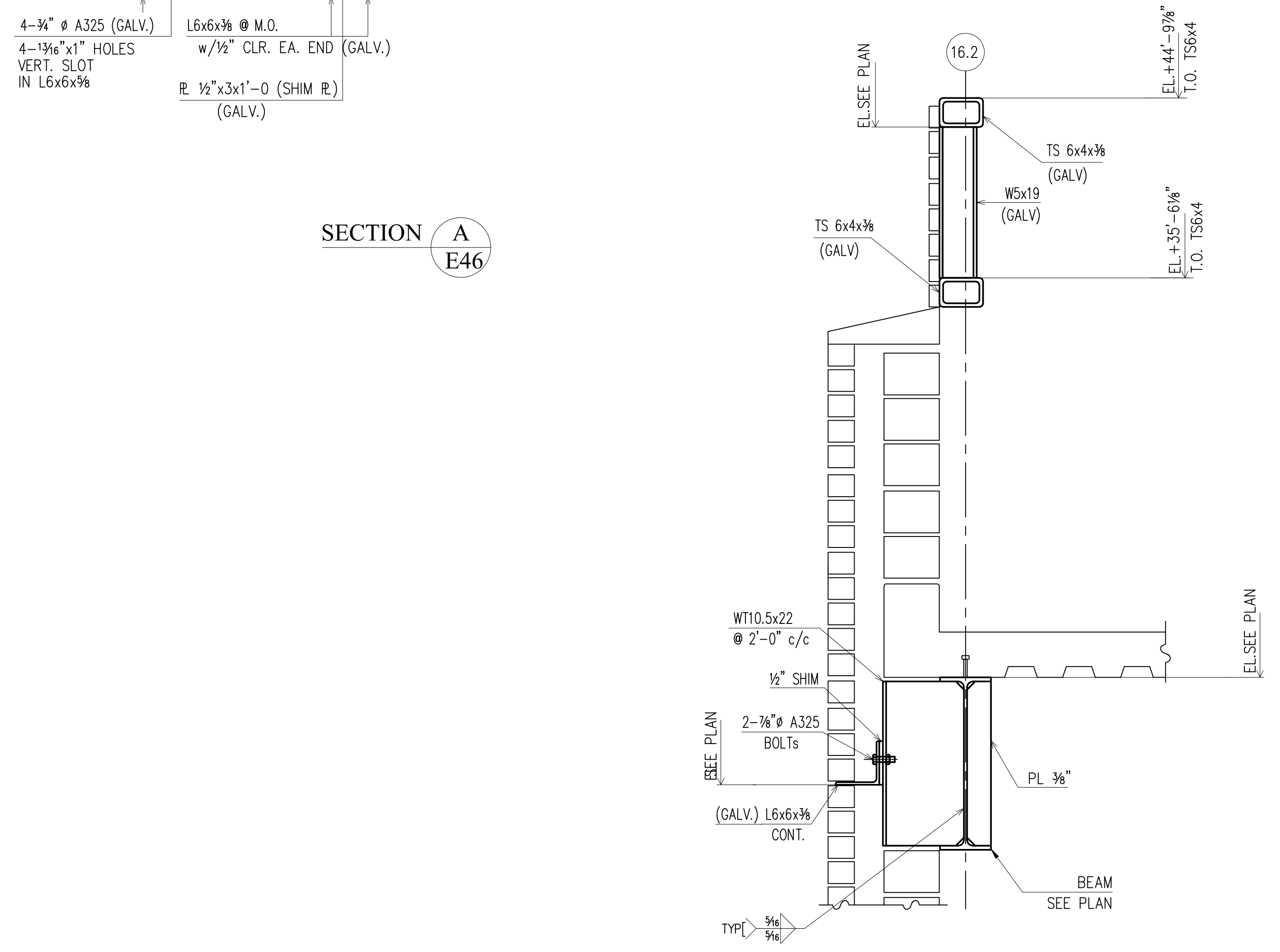
SECTION B
E46



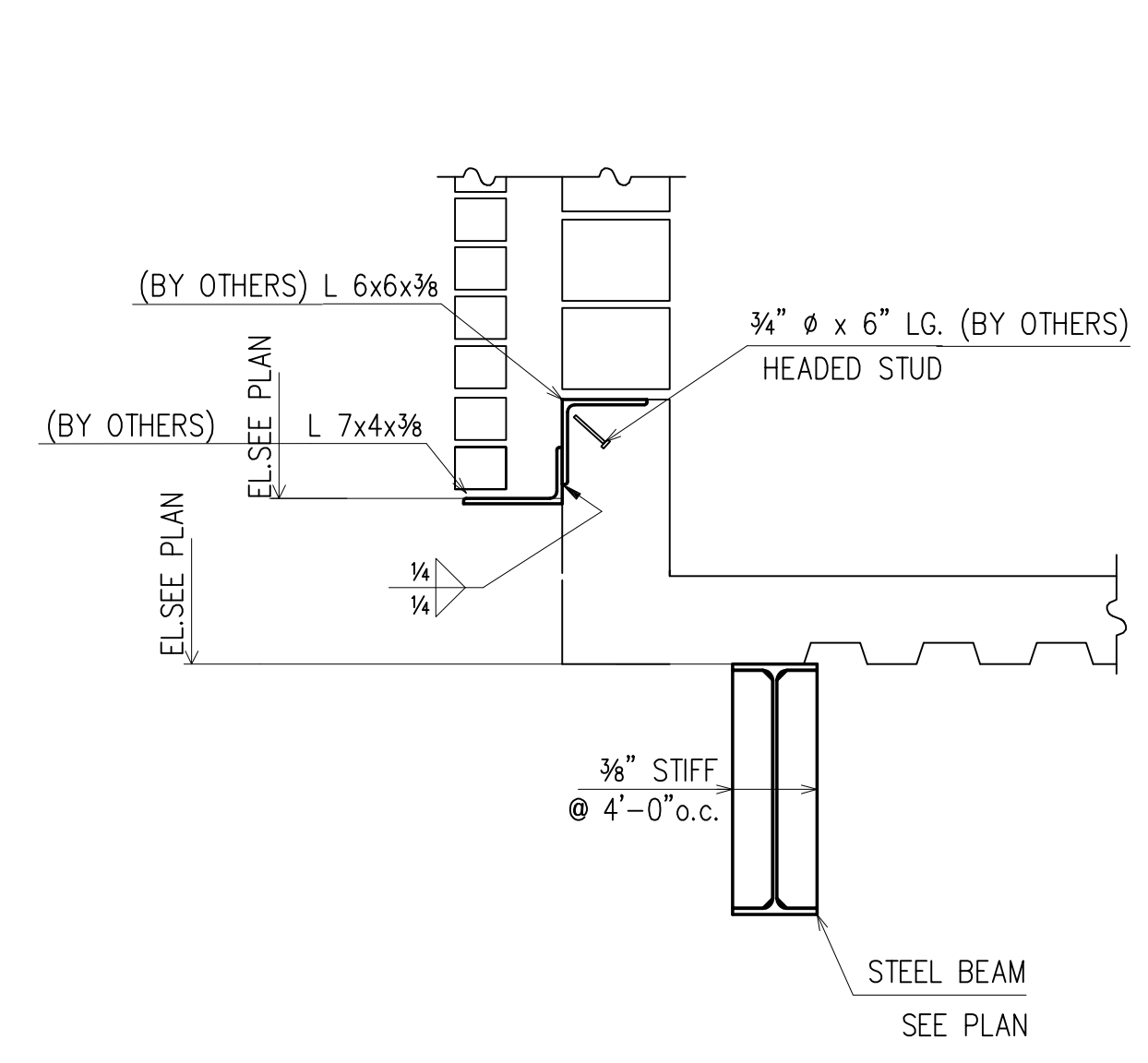
SECTION C
E46



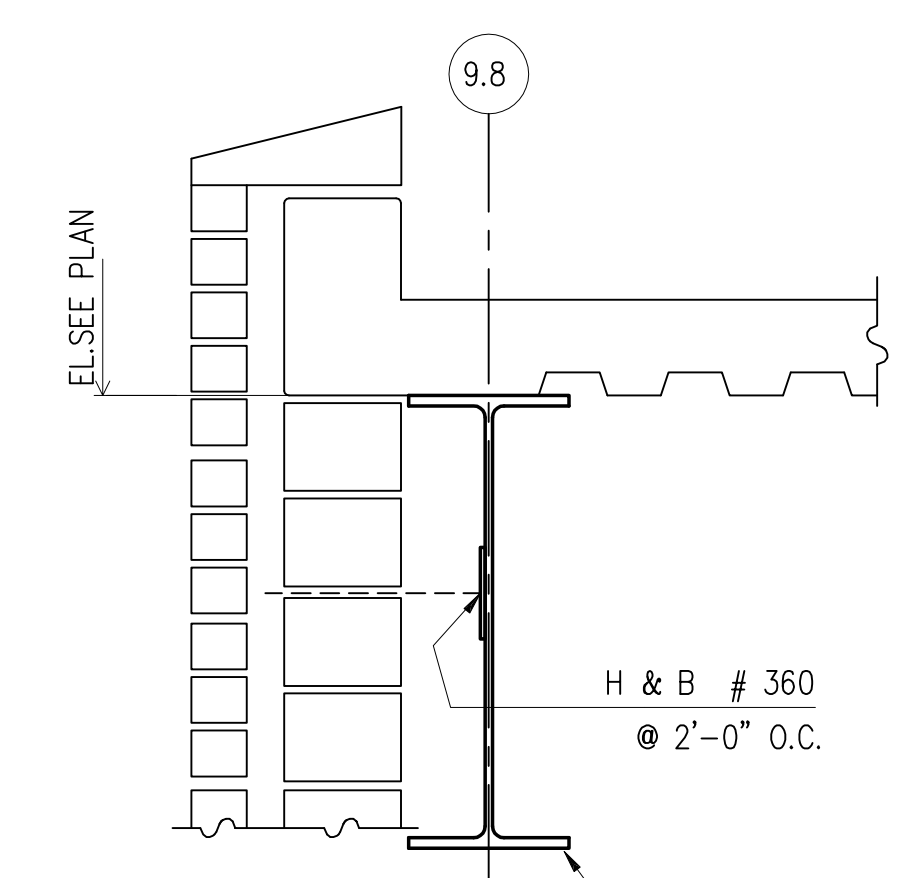
SECTION E
E46



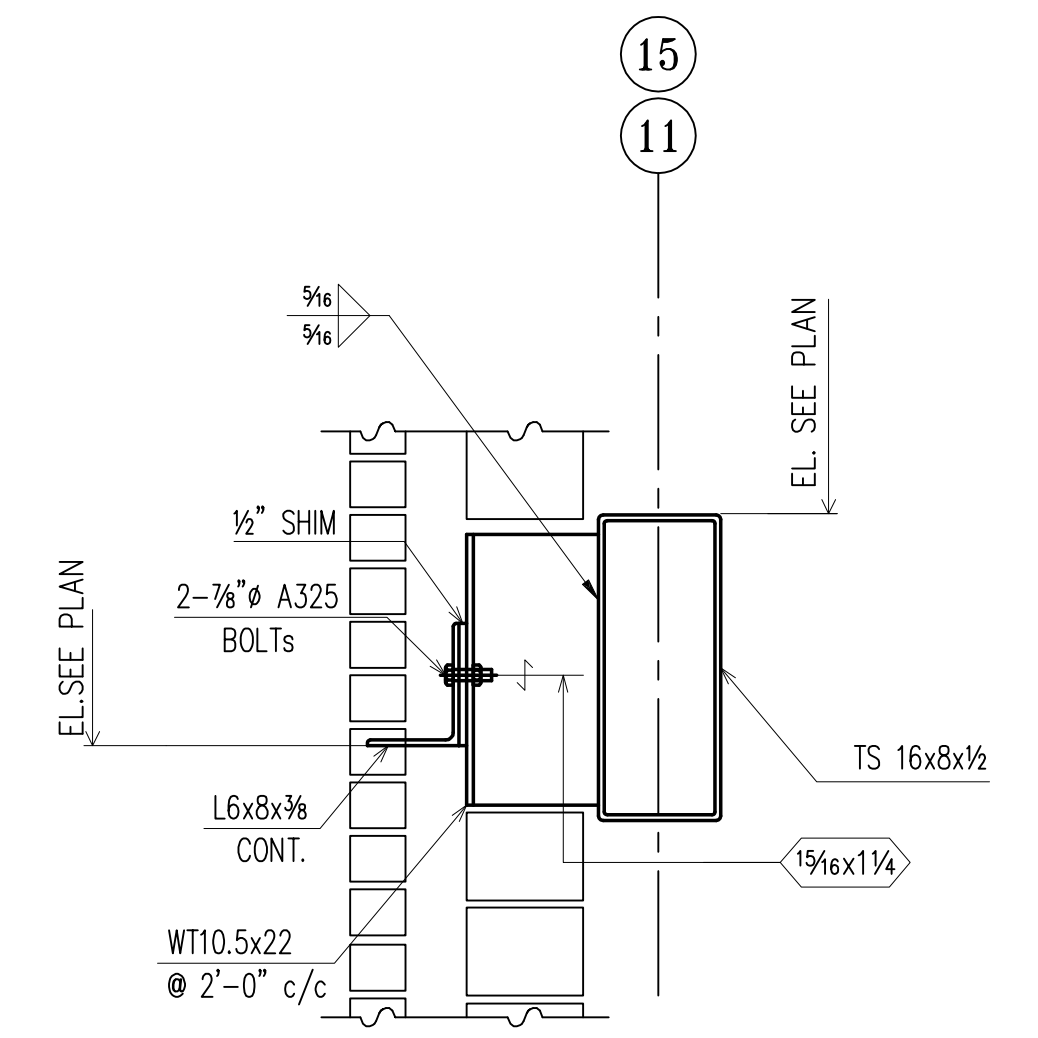
SECTION D
E46



SECTION F
E46



SECTION G
E46



SECTION H
E46

IT REPRESENTS OUR INTERPRETATION OF THE INTENT OF FABRICATOR AND THE STRUCTURAL STEEL DETAILER. ASSUME NO RESPONSIBILITY FOR THE ACCURACY OF THE INFORMATION SHOWN ON THIS DRAWING. THIS IS THE RESPONSIBILITY OF THE BUYER.

IT WILL BE ASSUMED THAT ALL INFORMATION SHOWN HEREIN HAS THE AFFIRMATION OF THE APPROVAL AUTHORITY UNLESS NOTED TO THE CONTRARY ON THIS DRAWING WHEN IT IS RETURNED FROM APPROVAL.

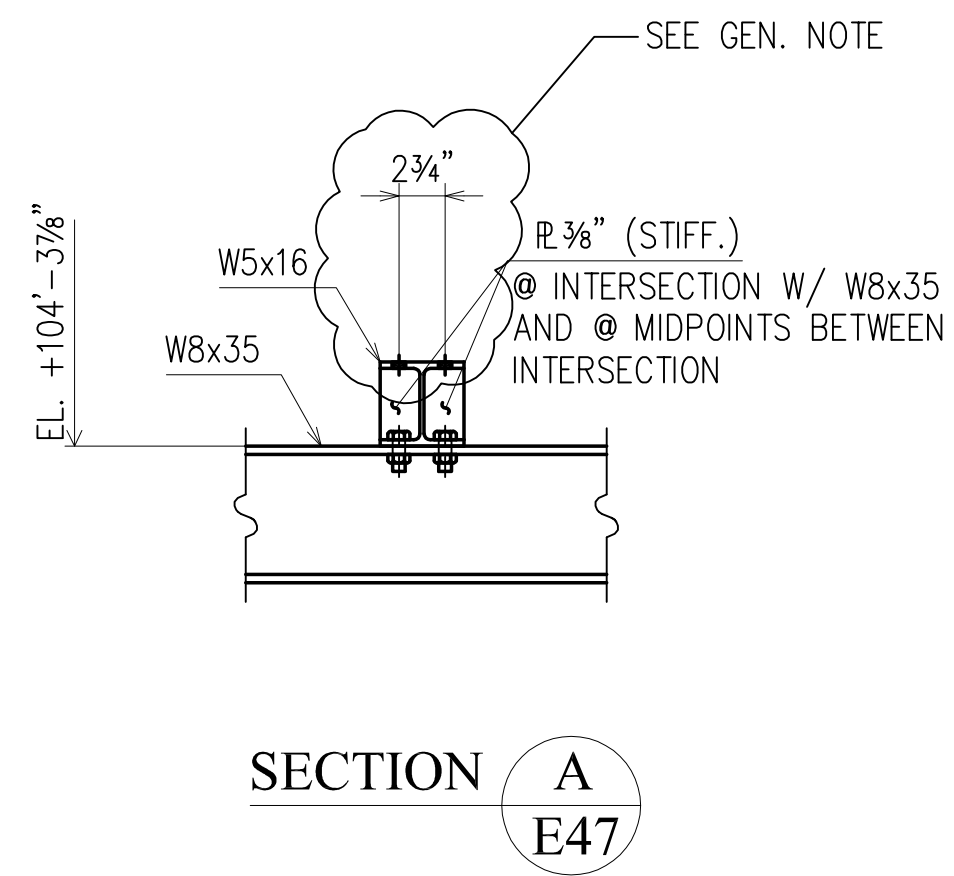
SUBSEQUENT CHANGES TO INFORMATION SHOWN ON THESE DRAWINGS AFTER FIRST SUBMISSION WILL BE CONSIDERED AS CONTRACT CHANGES.

ADOPTED BY THE NATIONAL INSTITUTE OF STEEL DETAILING 1977.

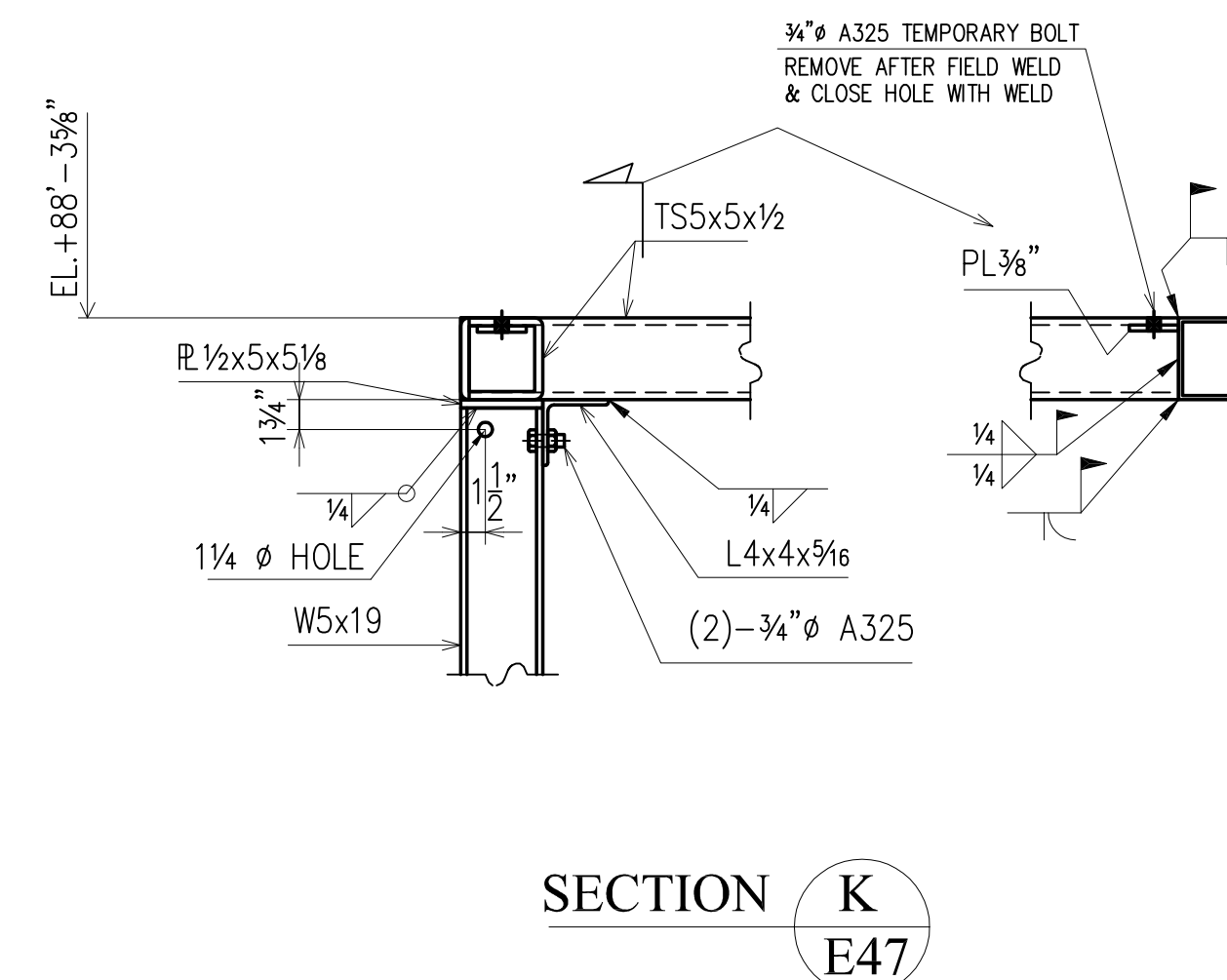
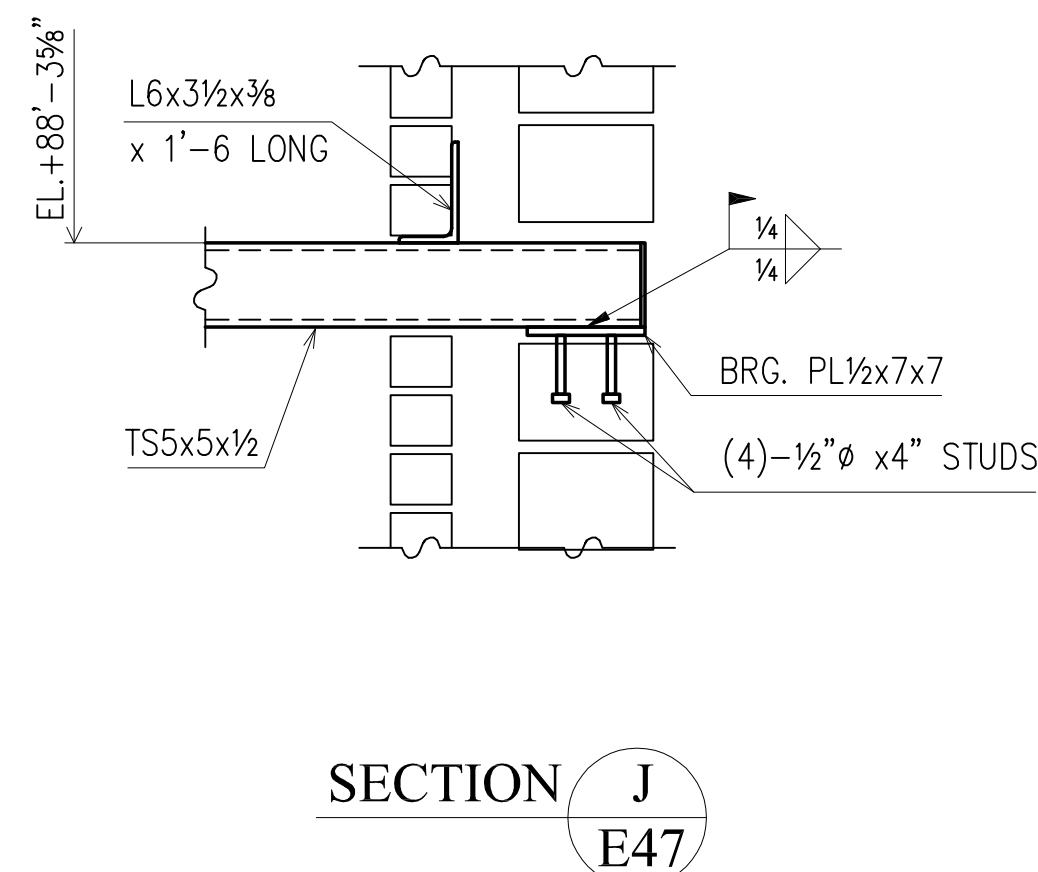
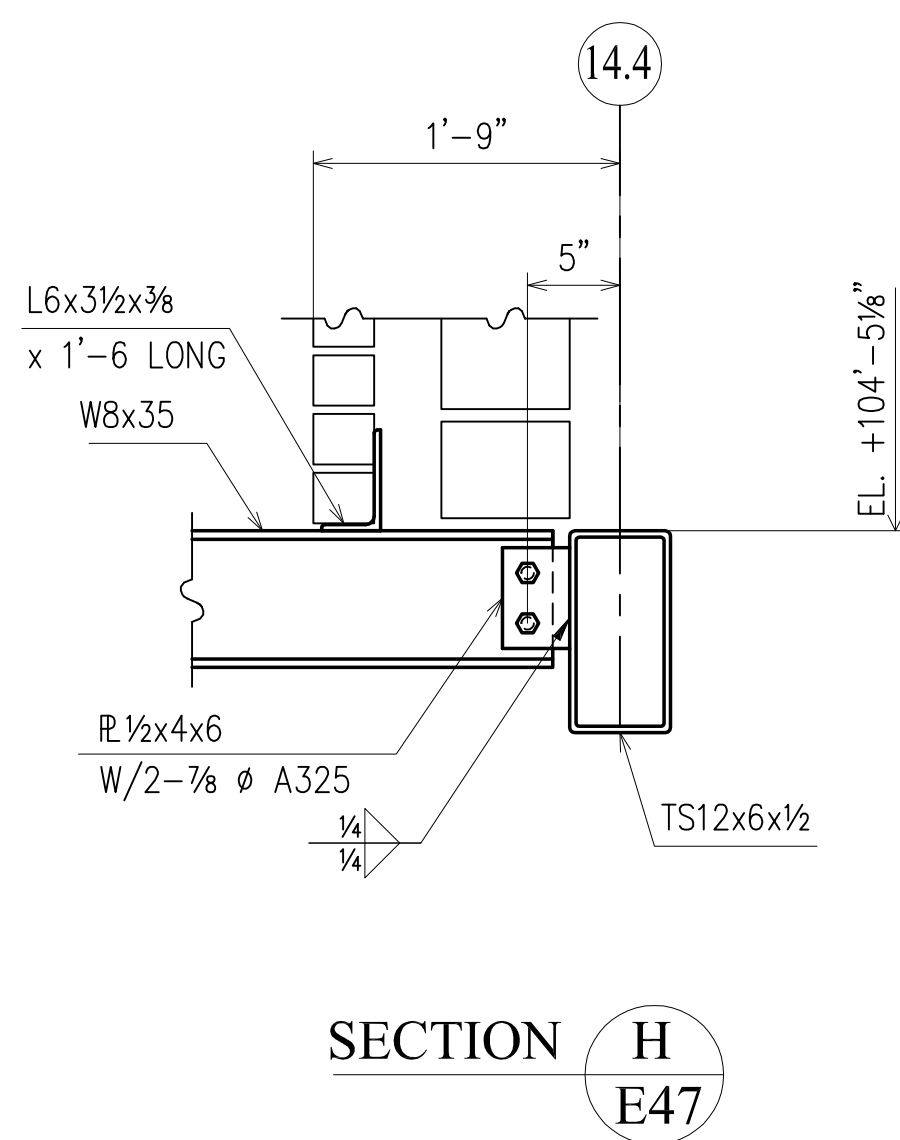
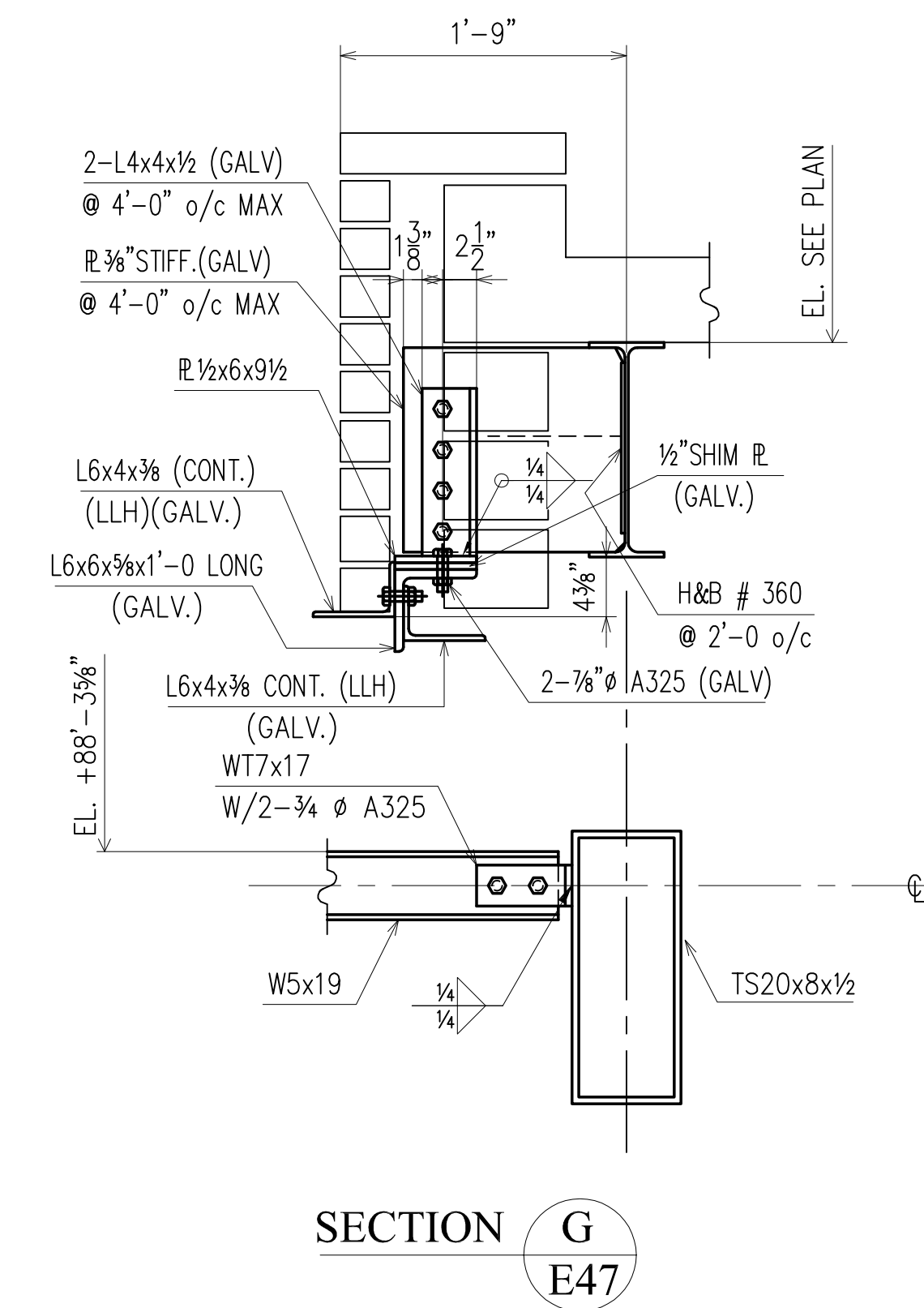
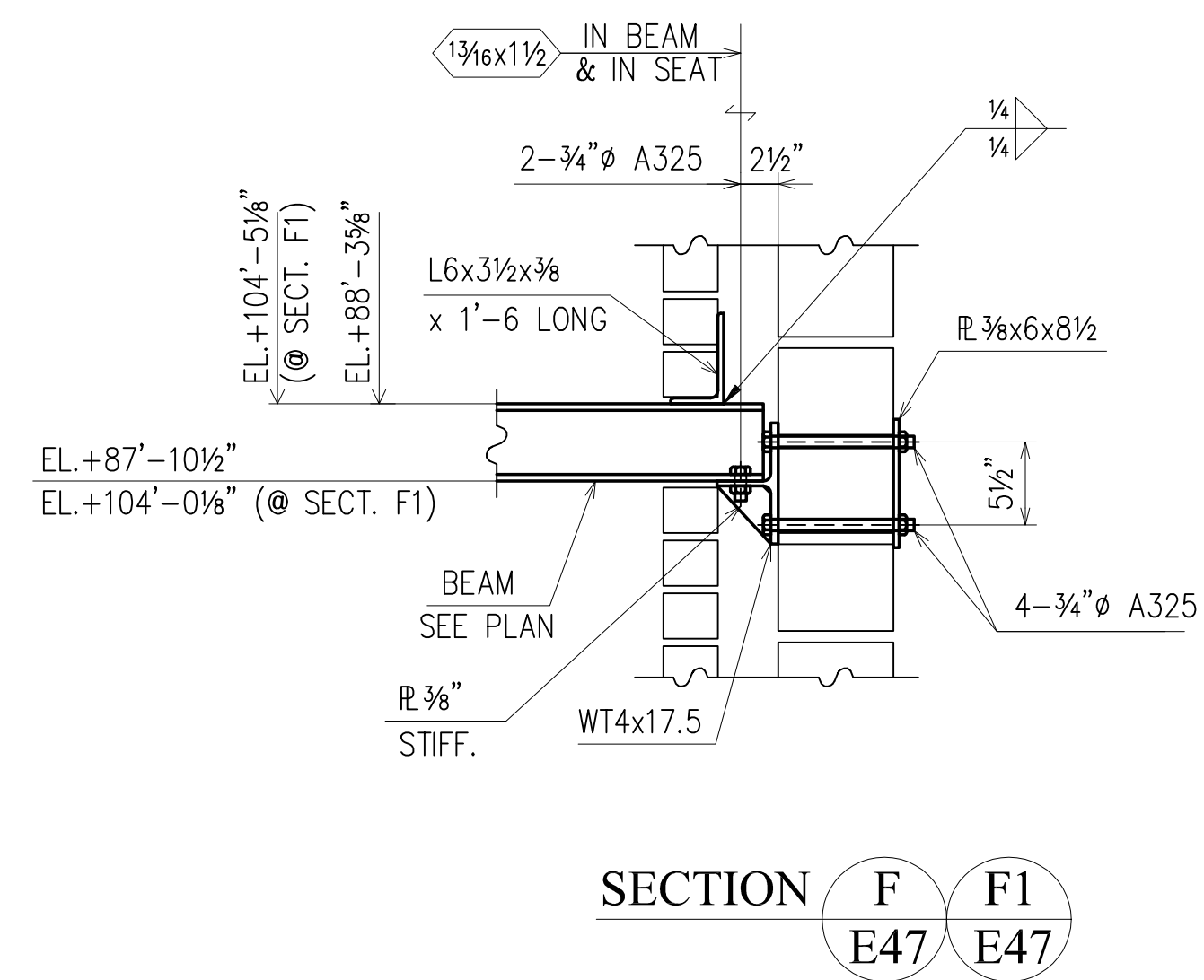
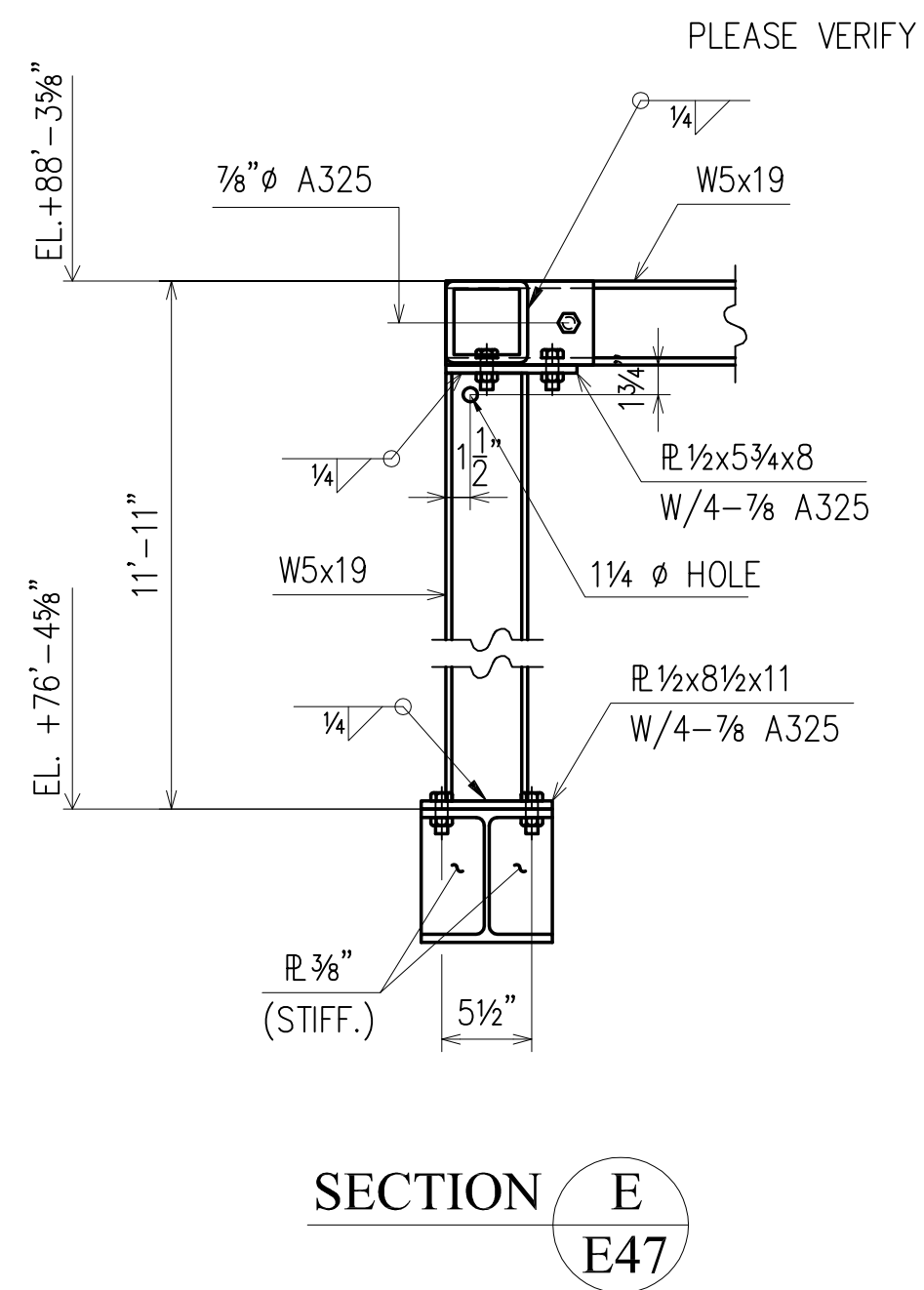
DRAWINGS PREPARED BY:
DIVISION FIVE DETAILING INC.
1770 Gallagher Drive
Vineland, New Jersey 08360
Phone: (856) 794-9474
Fax: (856) 696-2027

PAIN	NONE				
MATERIAL	GR.50 U/NOTED	1/9	FOR FIELD		
HOLES	15/16\"/>				
ELECTRODES	E70XX	7/16	PER APPVL		
TOTAL WEIGHT		NO DATE	DESCRIPTION	NO DATE	DESCRIPTION
DIAG. REF #		REVISIONS			

WEIR WELDING CO. INC.		CONTRACT NO	S-616
DRAFTER	HY	LAW ENFORCEMENT SCHOOL	DWG NO
DATE	05/09/01		E46
CHECKED			
DATE			



GEN. NOTE:
 BOLT HOLES, LOCATION & QUANTITY TO BE COORDINATED W/
 WELDED STEEL FENCE MANUFACTURER.
 SIZE AND LOCATIONS OF BELT CONNECTION SLOTS
 TO BE COORDINATED & FINALIZED WITH SHOP
 DRAWING SUBMISSION FOR WELDED STEEL FENCE.



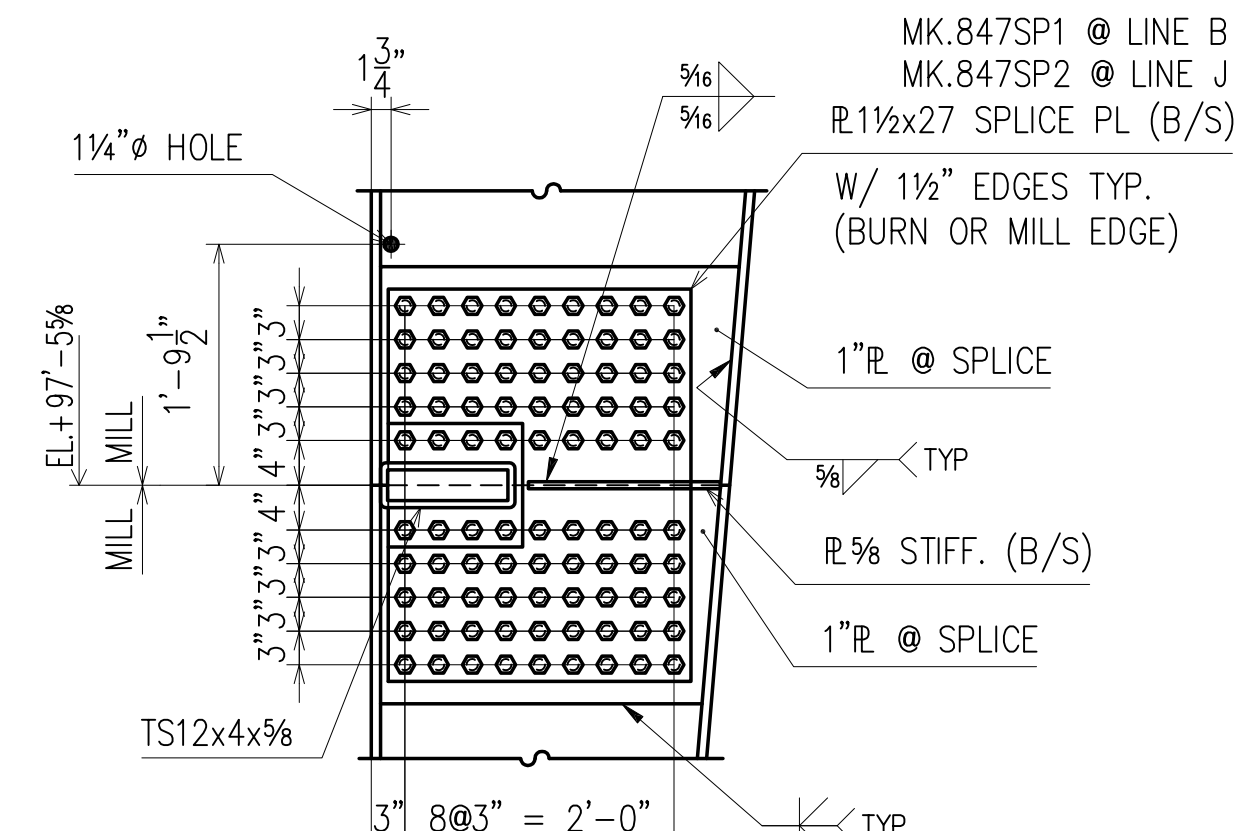
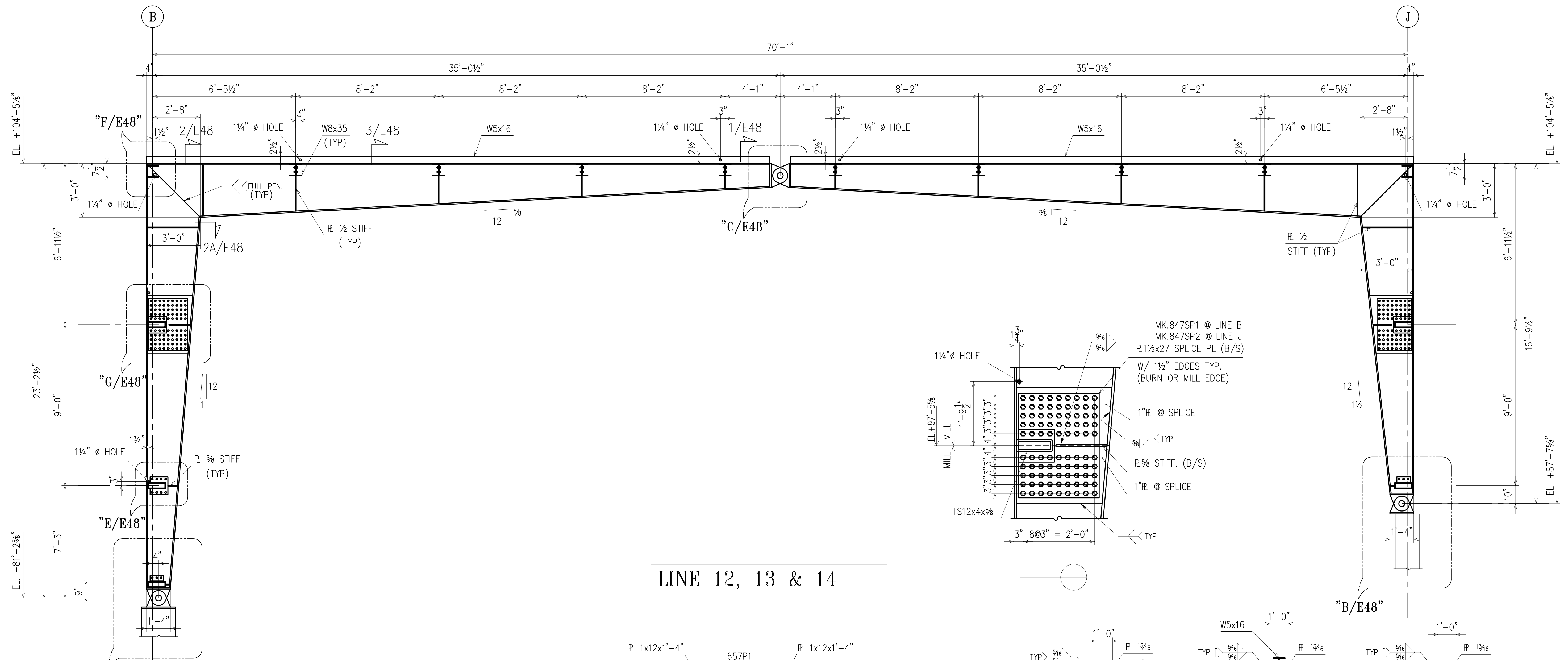
APPROVAL/REVIEW AUTHORITY:
 PLEASE REVIEW THIS DRAWING CAREFULLY.
 IT REPRESENTS OUR INTERPRETATION OF THE INTENT OF
 THE CONTRACT DOCUMENTS. HOWEVER, THE STEEL
 FABRICATOR AND THE STRUCTURAL STEEL DETAILER
 ASSUME NO RESPONSIBILITY FOR THE ACCURACY OF THE
 INFORMATION SHOWN ON THIS DRAWING. THIS IS THE
 RESPONSIBILITY OF THE BUYER.
 IT WILL BE ASSUMED THAT ALL INFORMATION SHOWN
 HEREIN HAS THE AFFIRMATION OF THE APPROVAL
 AUTHORITY UNLESS NOTED TO THE CONTRARY ON THIS
 DRAWING WHEN IT IS RETURNED FROM APPROVAL.
 SUBSEQUENT CHANGES TO INFORMATION SHOWN ON
 THESE DRAWINGS AFTER FIRST SUBMISSION WILL BE
 CONSIDERED AS CONTRACT CHANGES.
 ADOPTED BY THE NATIONAL INSTITUTE OF STEEL DETAILING 1977.

DRAWINGS PREPARED BY:
 DIVISION FIVE DETAILING INC.
 1770 Gallagher Drive
 Vineland, New Jersey 08360
 Phone: (856) 794-9474
 Fax: (856) 696-2027

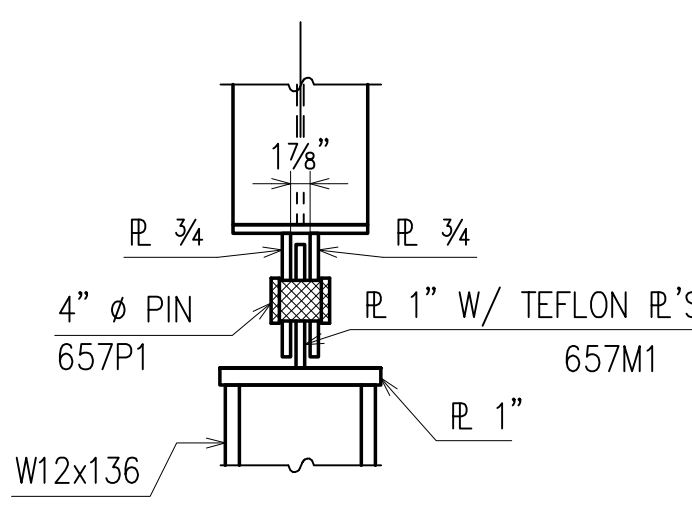
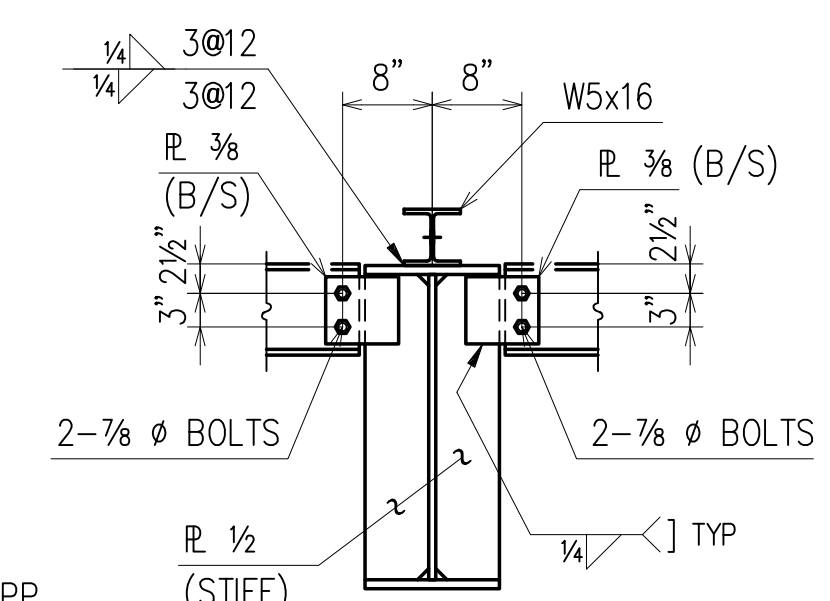
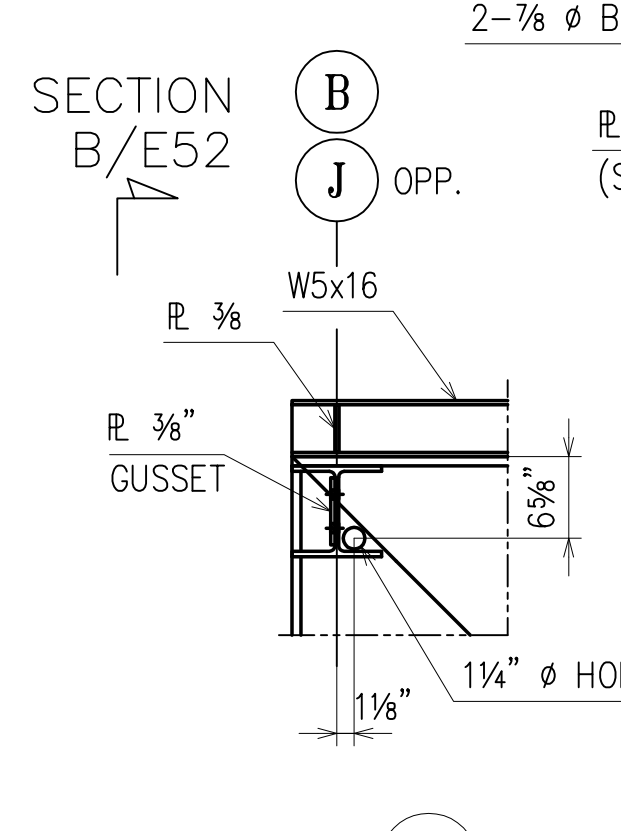
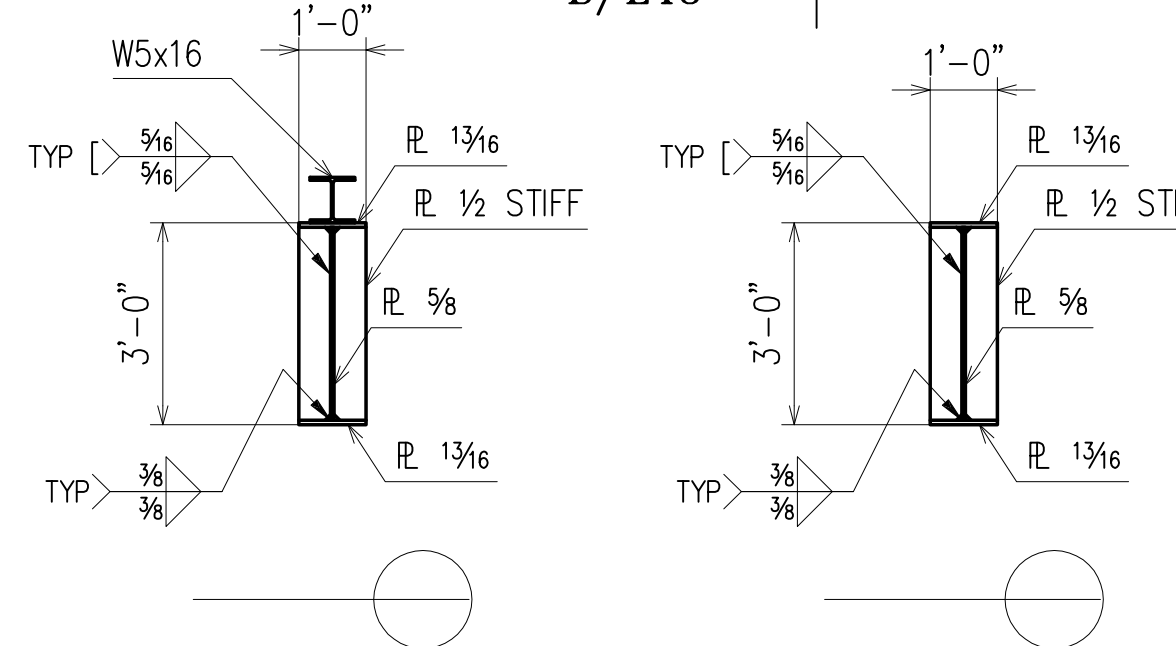
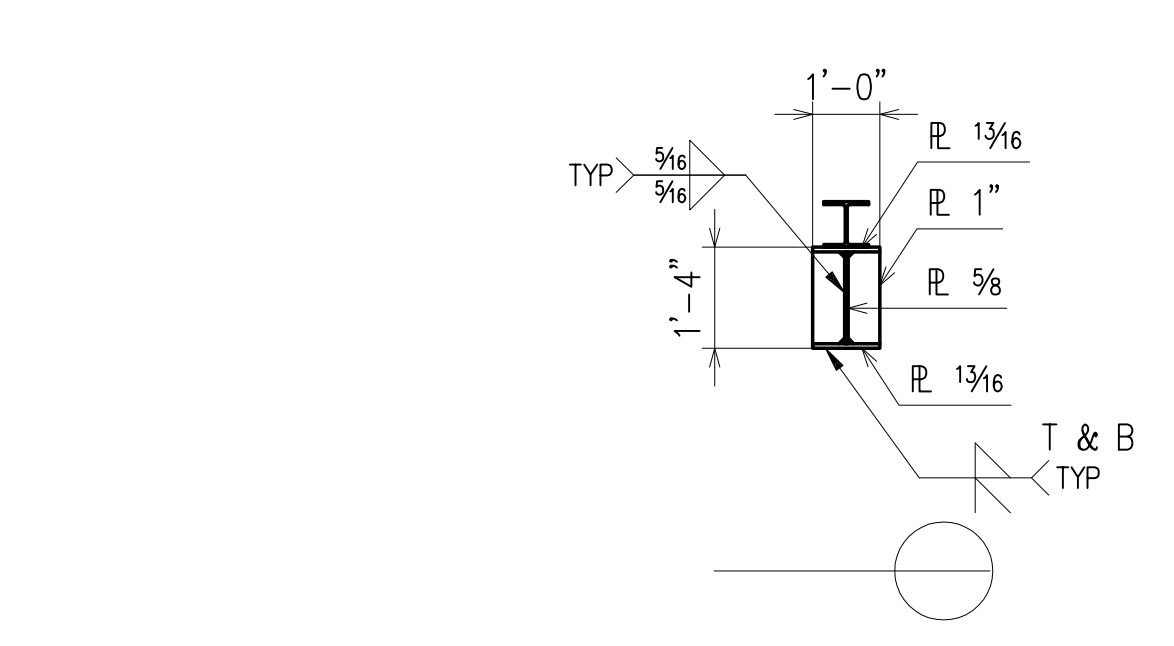
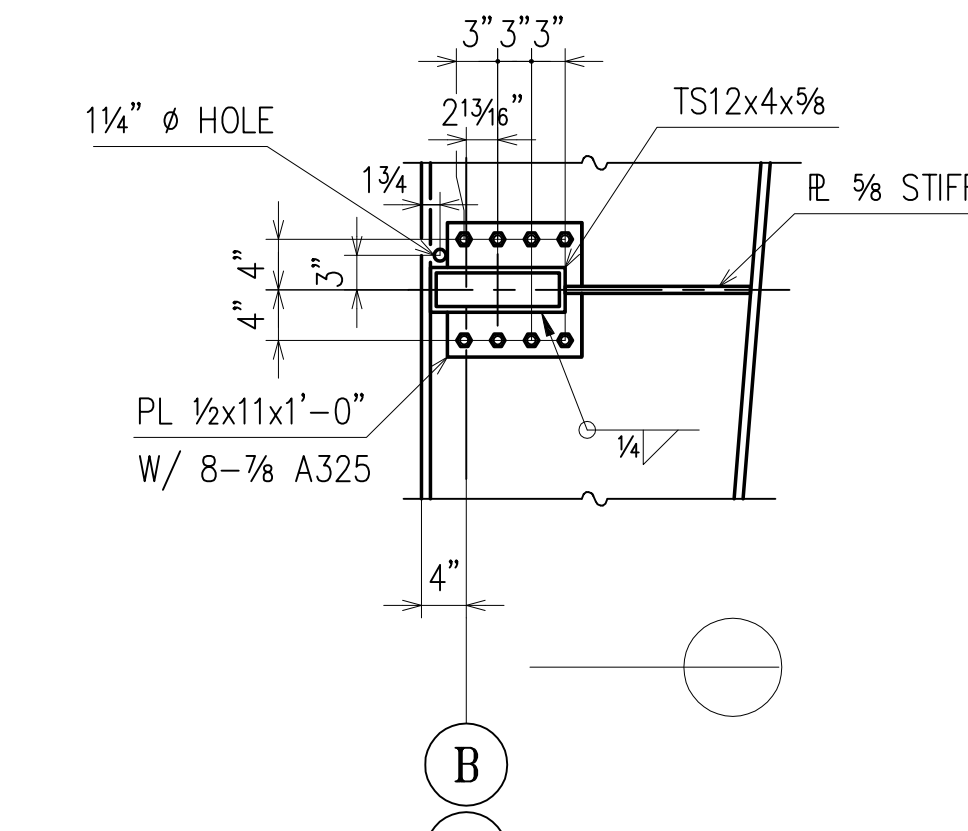
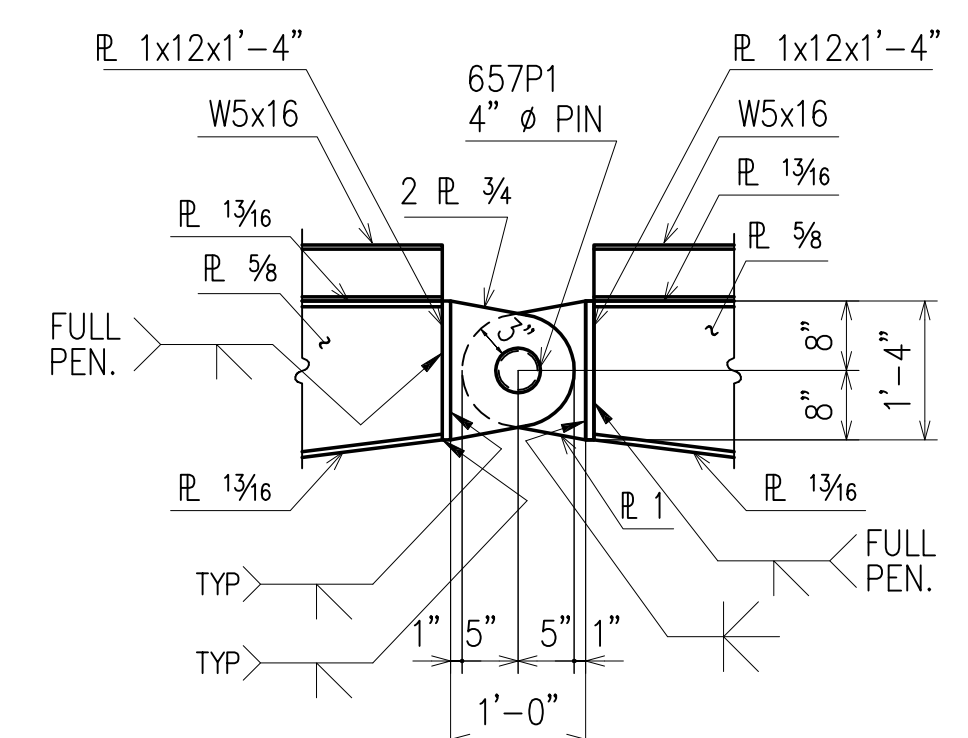
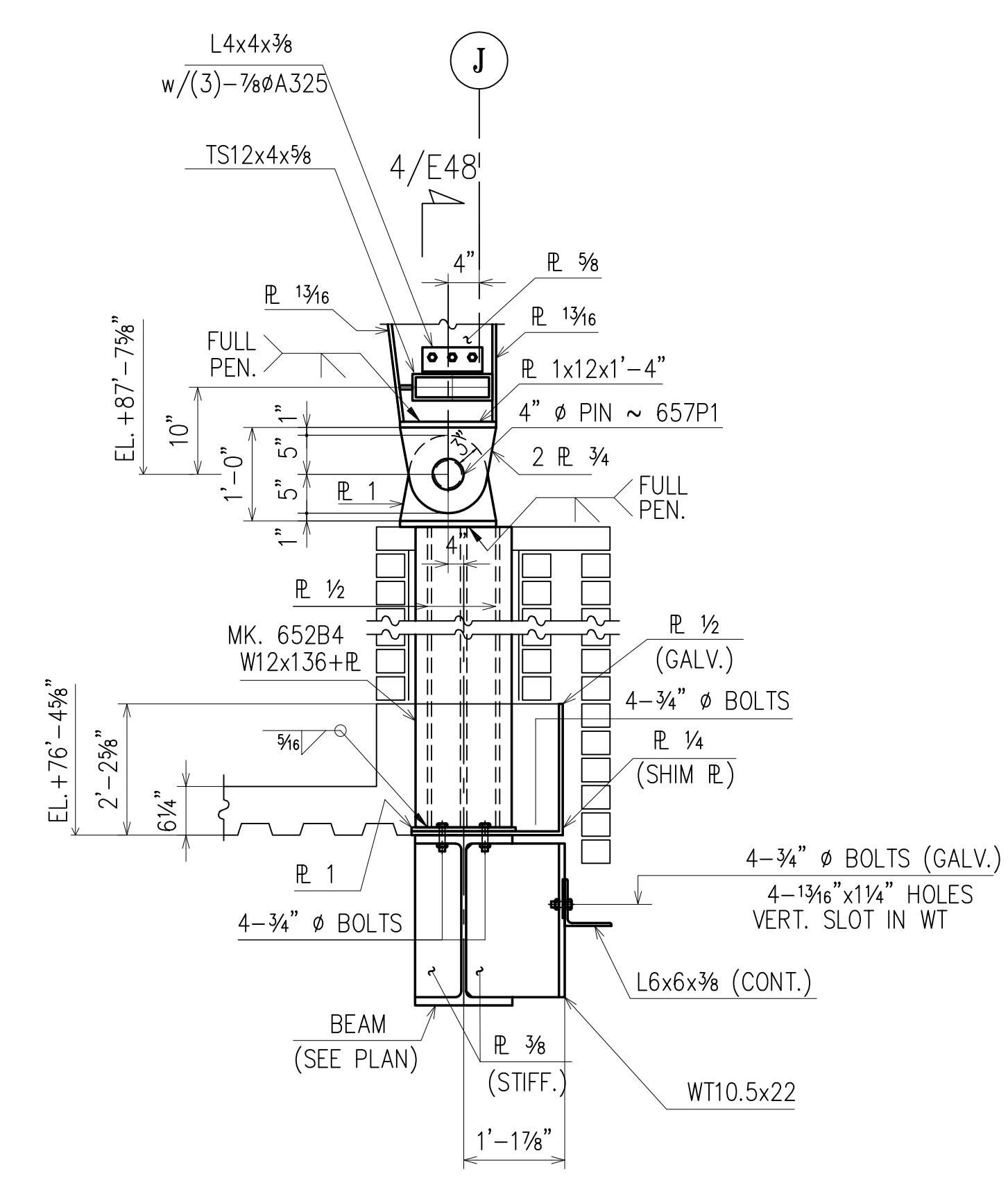
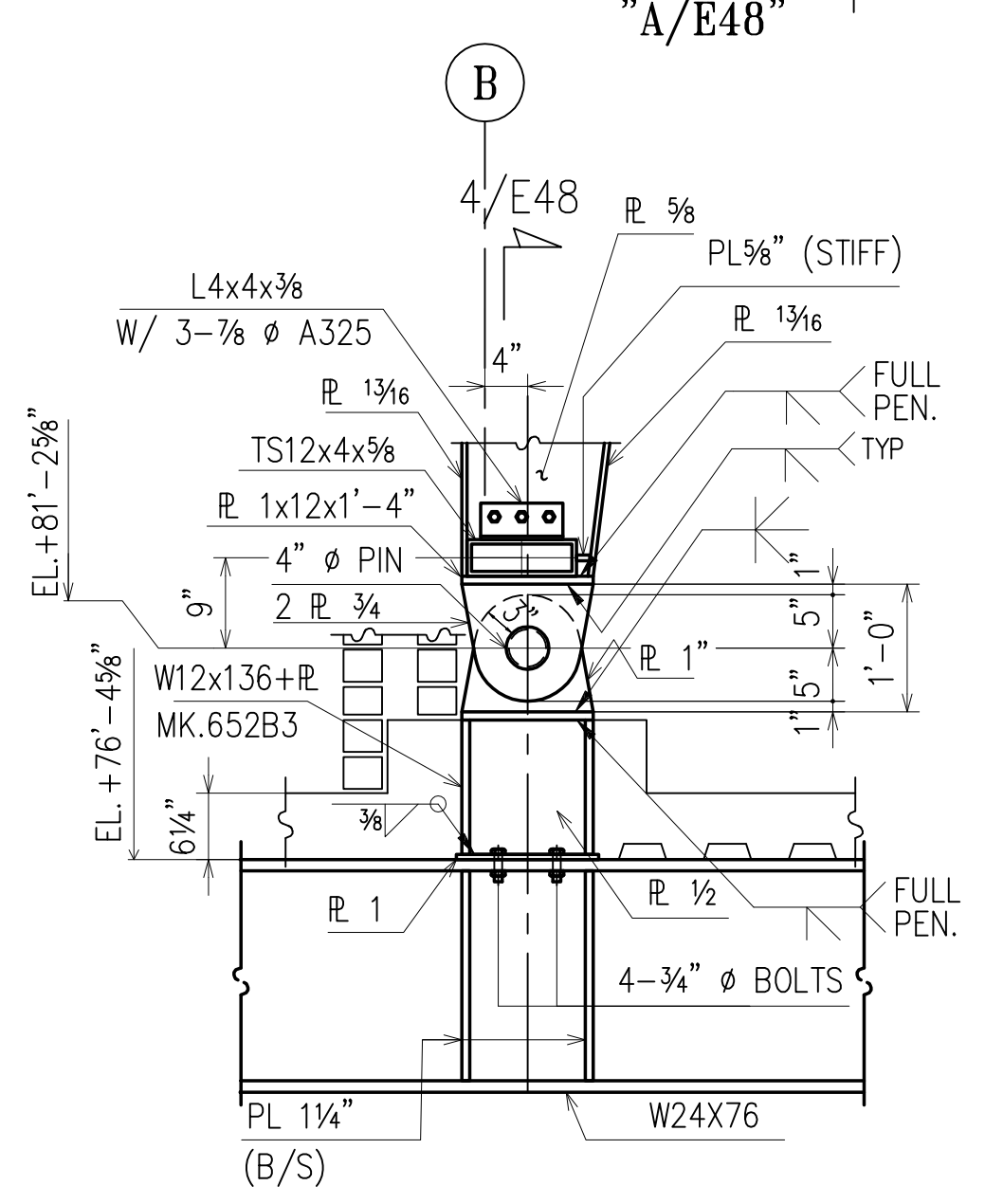
REVISIONS		REVISIONS			
NO	DATE	DESCRIPTION	NO	DATE	DESCRIPTION
9/21		PER APPVL			
8/17		PER ADDENDUMS			
7/30		PER CHECK			
7/25		PER APPVL	1/9		FOR FIELD
TOTAL WEIGHT		NO DATE	DESCRIPTION	NO DATE	DESCRIPTION
DIAG. REF #					

WEIR WELDING CO. INC.

DRAFTER Yus	LAW ENFORCEMENT SCHOOL	CONTRACT NO
DATE 4/17/01		S-616
CHECKED		DWG NO
DATE		E47



LINE 12, 13 & 14

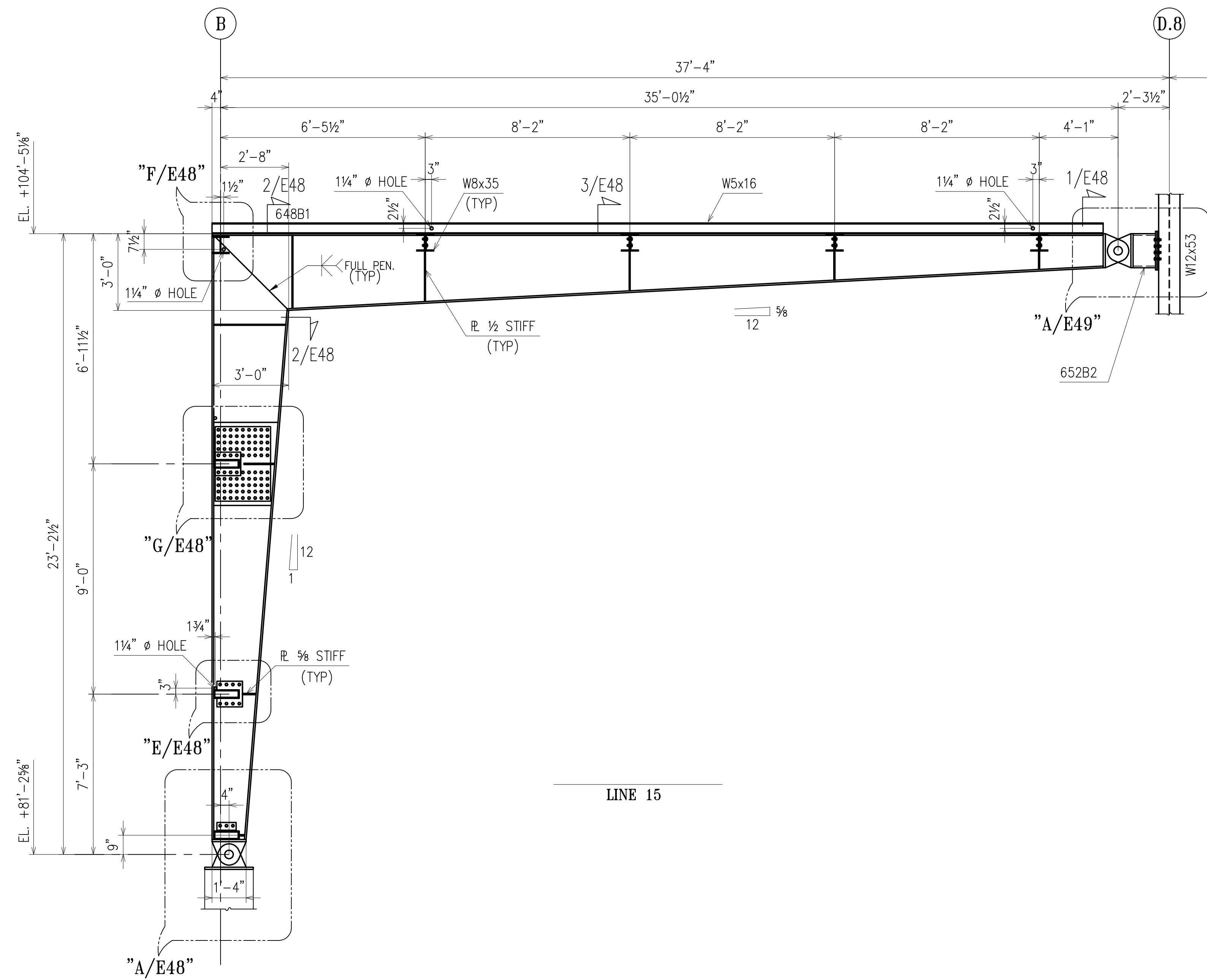


APPROVAL/REVIEW AUTHORITY:
PLEASE REVIEW THIS DRAWING CAREFULLY.
IT REPRESENTS OUR INTERPRETATION OF THE INTENT OF THE CONTRACT DOCUMENTS. HOWEVER, THE STEEL FABRICATOR AND THE STRUCTURAL STEEL DETAILER ASSUME NO RESPONSIBILITY FOR THE ACCURACY OF THE INFORMATION SHOWN ON THIS DRAWING. THIS IS THE RESPONSIBILITY OF THE BUYER.
IT WILL BE ASSUMED THAT ALL INFORMATION SHOWN HEREIN HAS THE AFFIRMATION OF THE APPROVAL AUTHORITY UNLESS NOTED TO THE CONTRARY ON THIS DRAWING WHEN IT IS RETURNED FROM APPROVAL.
SUBSEQUENT CHANGES TO INFORMATION SHOWN ON THESE DRAWINGS AFTER FIRST SUBMISSION WILL BE CONSIDERED AS CONTRACT CHANGES.
ADOPTED BY THE NATIONAL INSTITUTE OF STEEL DETAILING 1977.

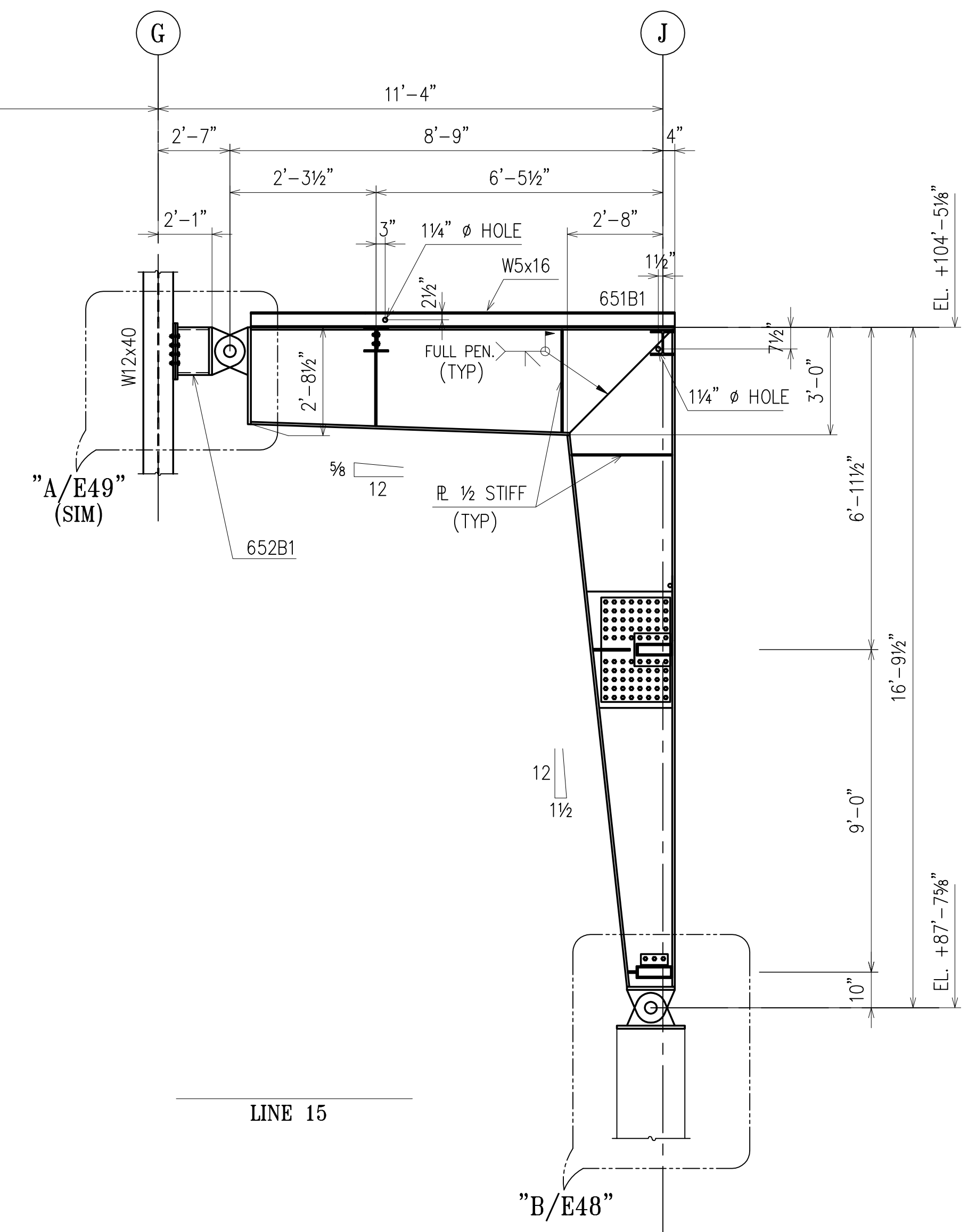
DRAWINGS PREPARED BY:
DIVISION FIVE DETAILING INC.
1770 Gallagher Drive
Vineland, New Jersey 08360
Phone: (856) 794-9474
Fax: (856) 696-2027

PAIN	ONE SHOP COAT U/NOTED	11/27	PER ENGINEER		
MATERIAL	GR.50 U/NOTED	8/17	PER ADDENDUMS		
HOLES	13/16" U/NOTED	7/30	ADD MARKINGS	1/9	FOR FIELD
ELECTRODES	E70XX	7/25	PER APPL	12/26	PER CHECK
TOTAL WEIGHT		NO DATE	DESCRIPTION	NO DATE	DESCRIPTION
DIAG. REF #					REVISIONS

WEIR WELDING CO. INC.		CONTRACT NO	S-616
DRAFTER	YG	LAW ENFORCEMENT SCHOOL	DWG NO
DATE	5/12/01		E48
CHECKED			
DATE			

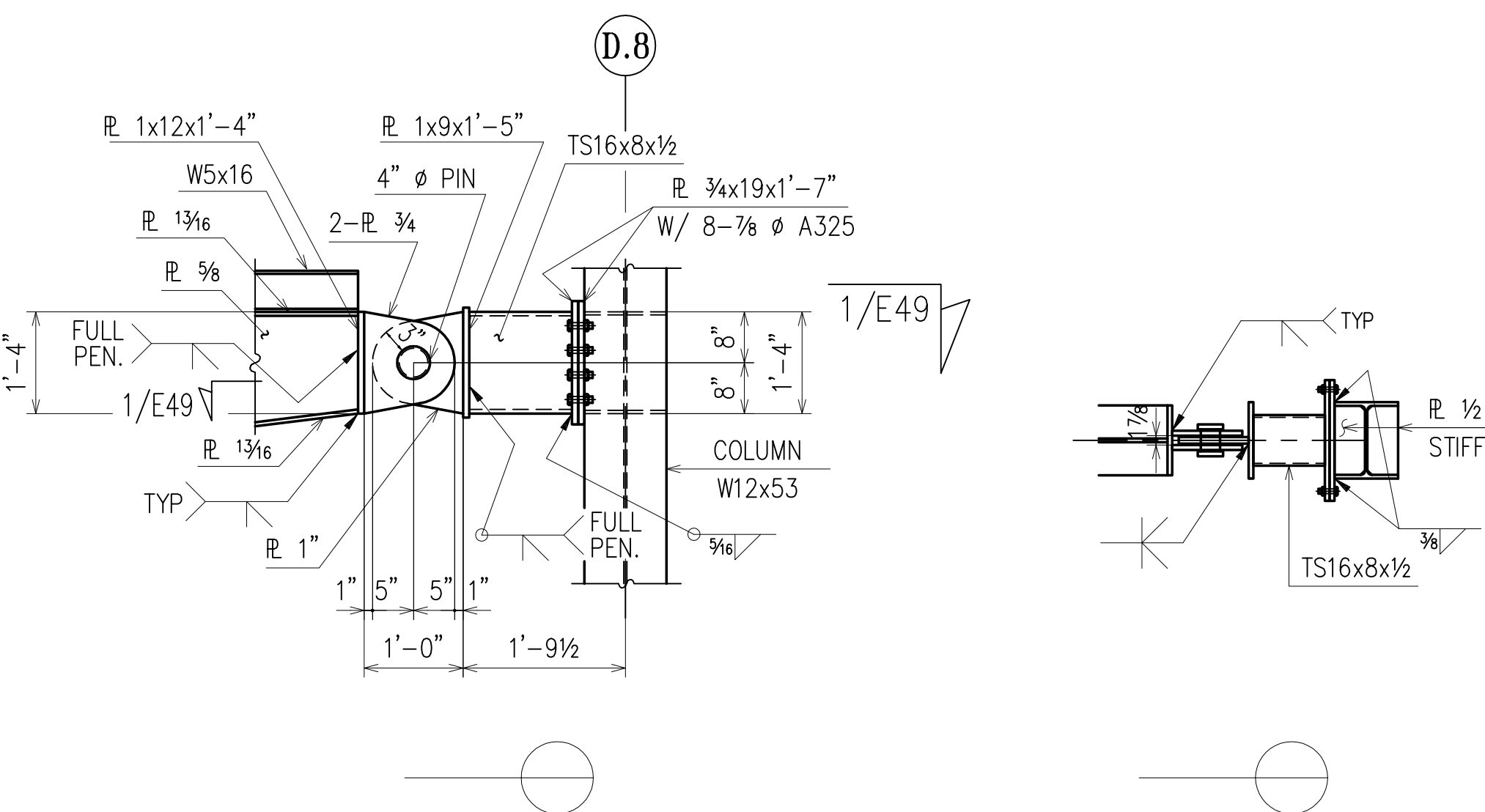


21'-5"



LINE 15

LINE 15

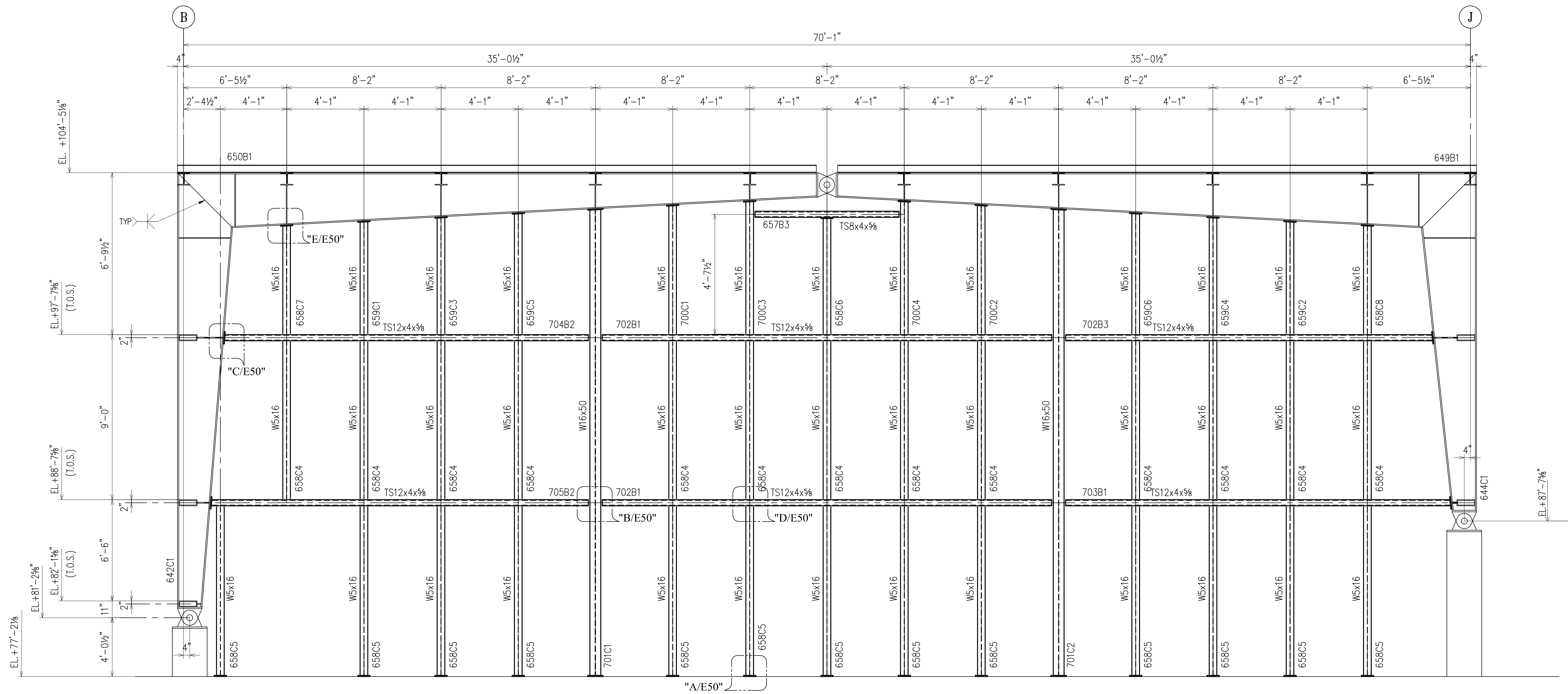


APPROVAL/REVIEW AUTHORITY:
PLEASE REVIEW THIS DRAWING CAREFULLY.
IT REPRESENTS OUR INTERPRETATION OF THE INTENT
OF THE CONTRACT DOCUMENTS. HOWEVER, THE STEEL
FABRICATOR AND THE STRUCTURAL STEEL DETAILER
ASSUME NO RESPONSIBILITY FOR THE ACCURACY OF THE
INFORMATION SHOWN ON THIS DRAWING. THIS IS THE
RESPONSIBILITY OF THE BUYER.
IT WILL BE ASSUMED THAT ALL INFORMATION SHOWN
HEREIN HAS THE AFFIRMATION OF THE APPROVAL
AUTHORITY UNLESS NOTED TO THE CONTRARY ON THIS
DRAWING WHEN IT IS RETURNED FROM APPROVAL.
SUBSEQUENT CHANGES TO INFORMATION SHOWN ON
THESE DRAWINGS AFTER FIRST SUBMISSION WILL BE
CONSIDERED AS CONTRACT CHANGES.
ADOPTED BY THE NATIONAL INSTITUTE OF STEEL DETAILING 1977.

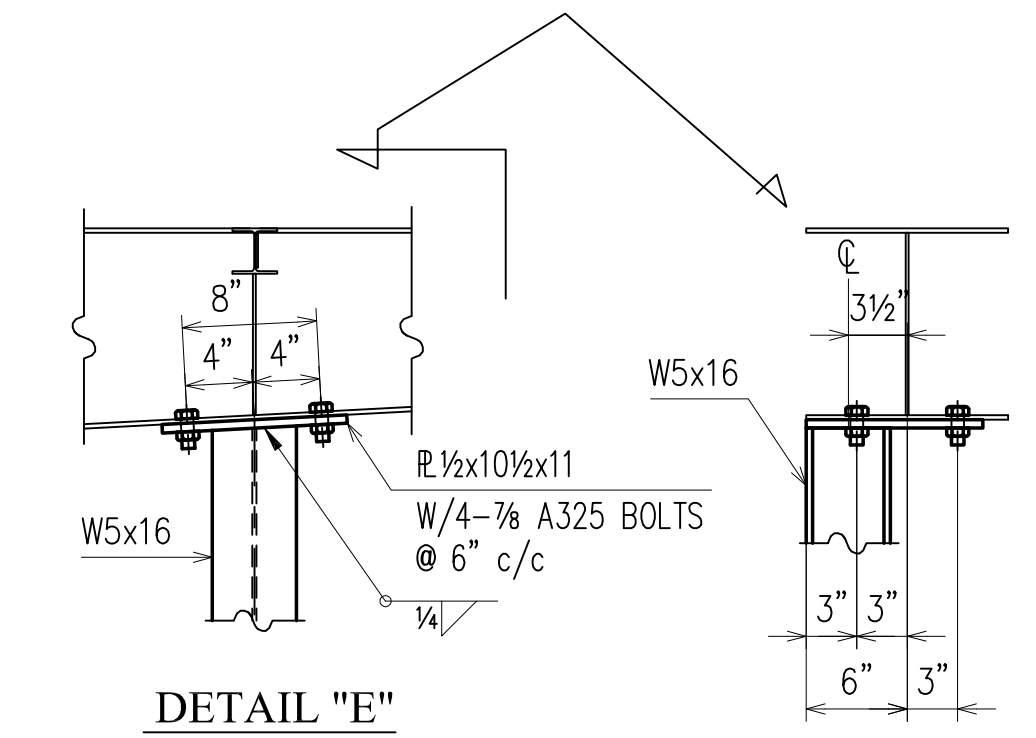
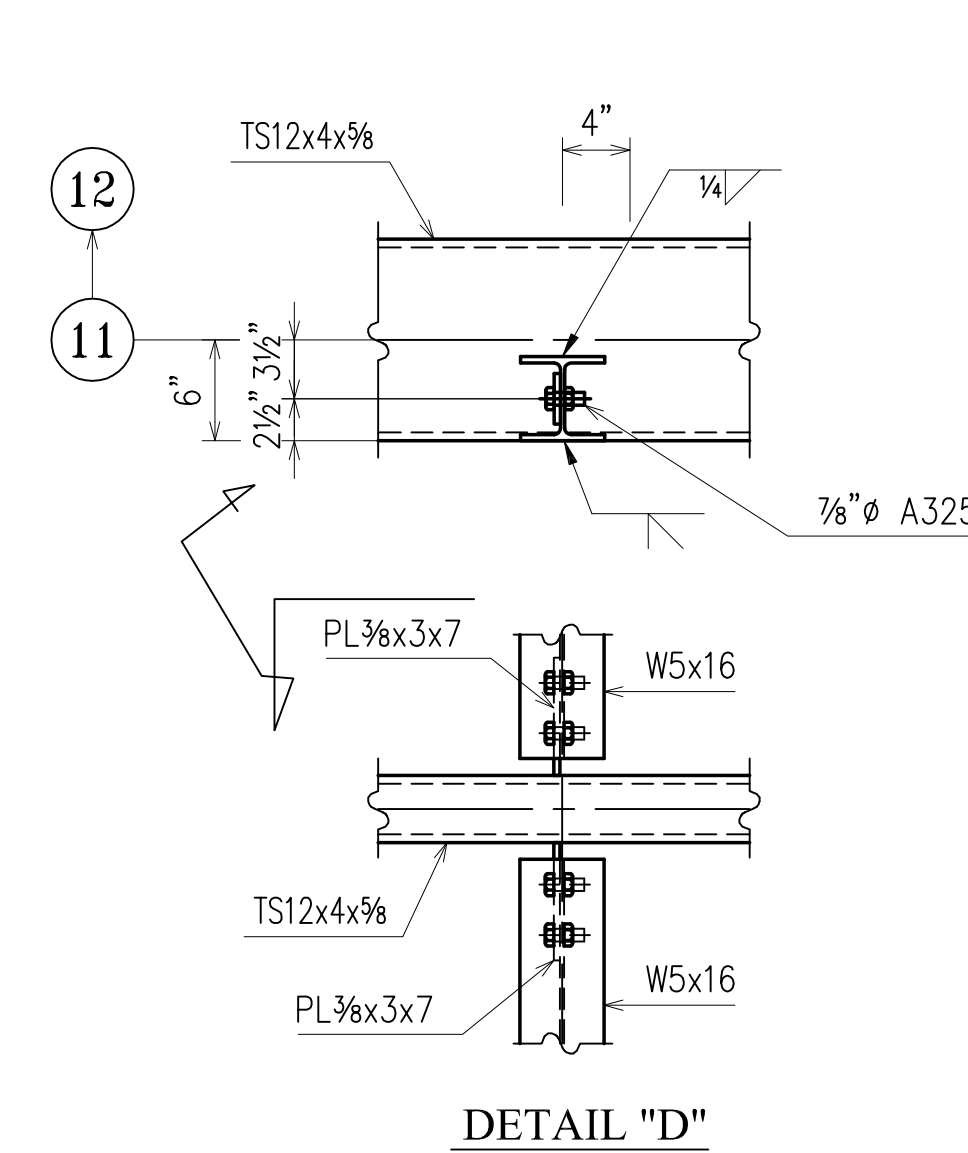
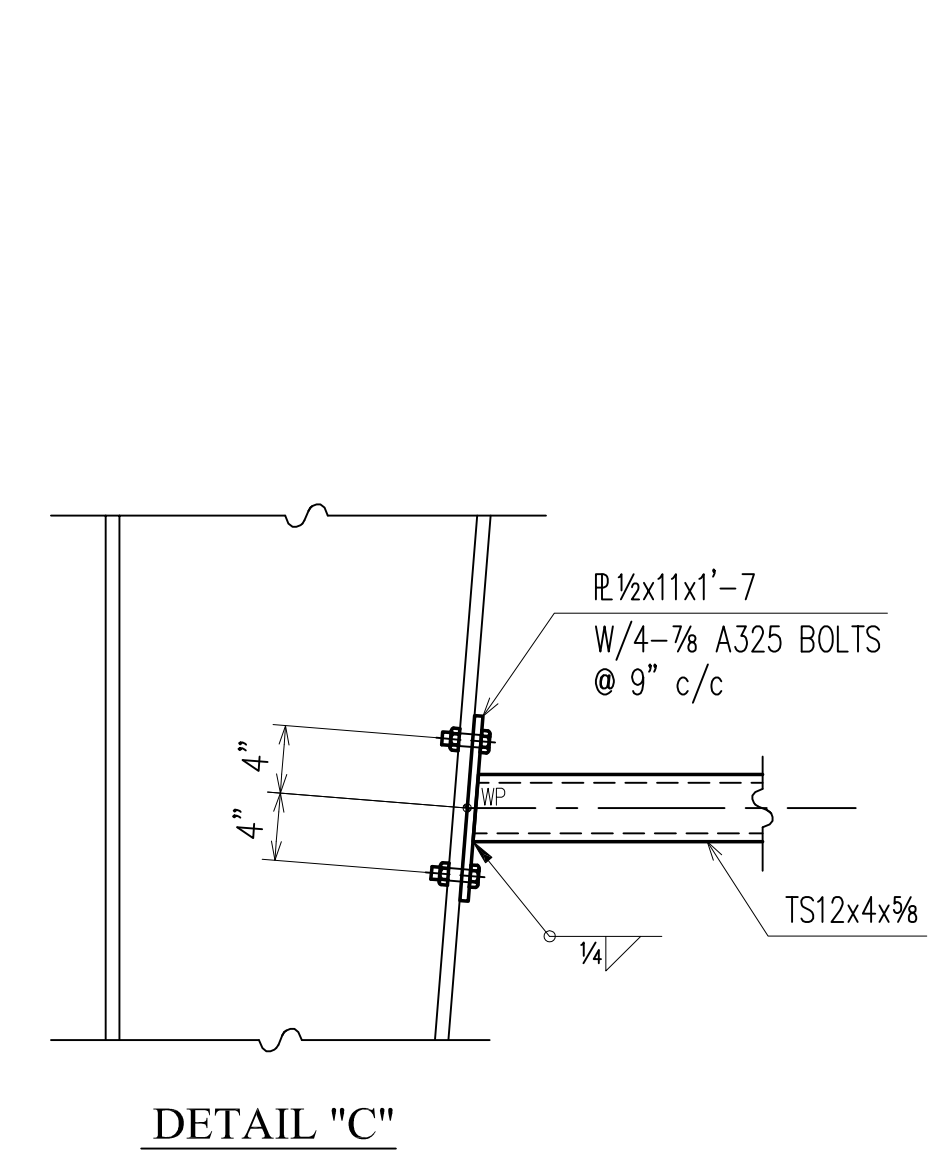
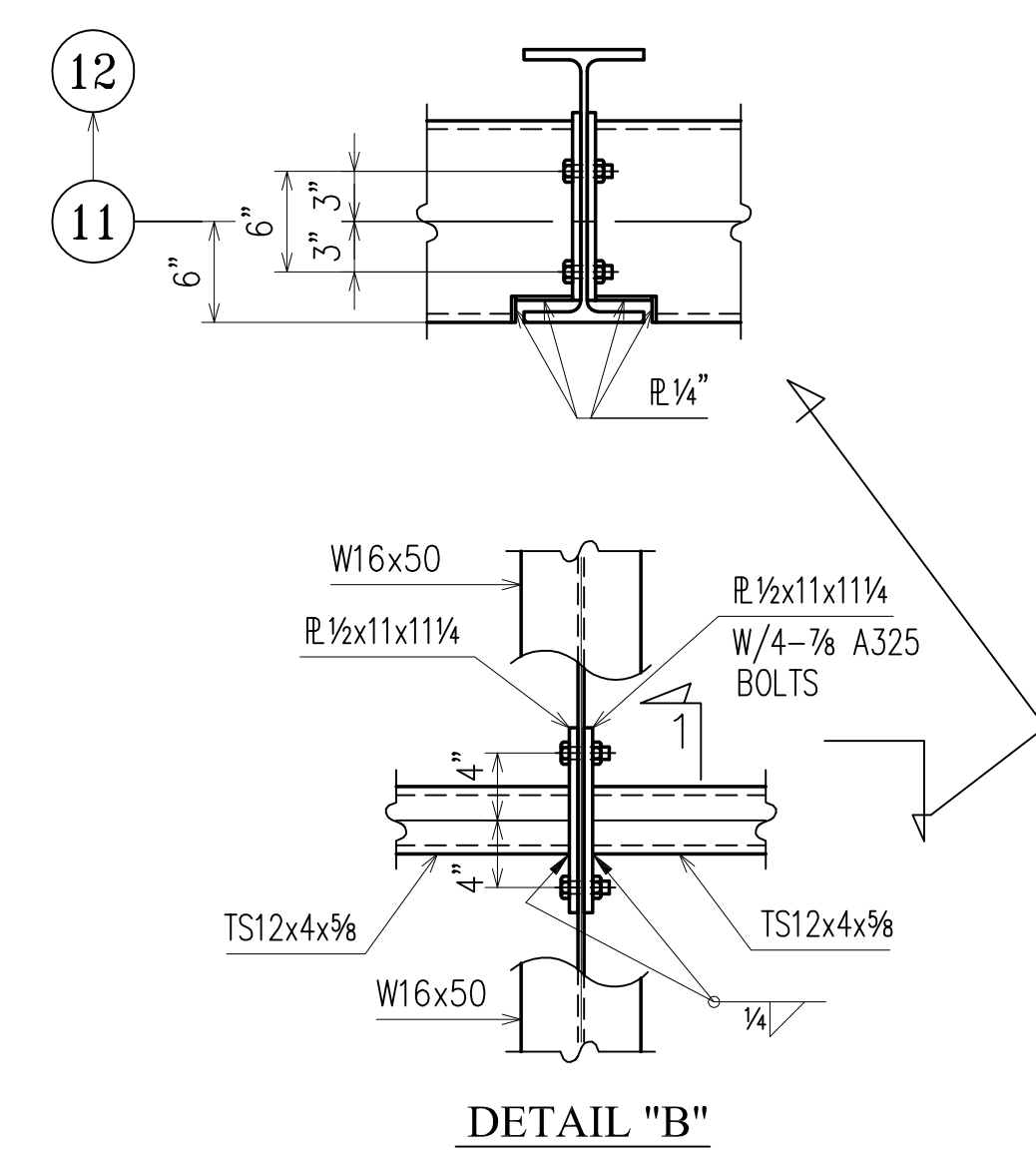
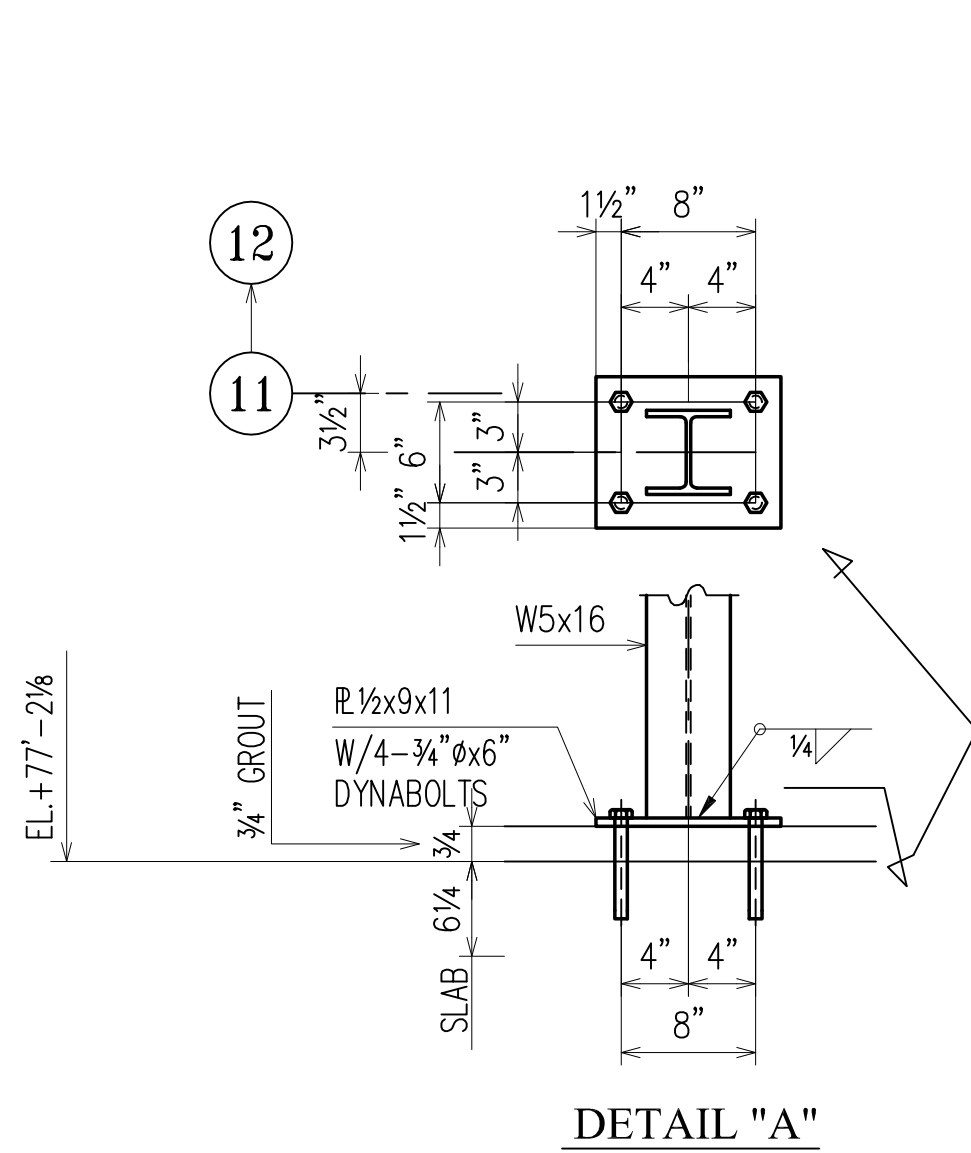
PAINT		GALV		1/9 FOR FIELD	
MATERIAL	GR.50 U/NOTED	11/27	PER ENGINEER		
HOLES	15/16" U/NOTED	7/30	ADD MARKINGS		
ELECTRODES	E70XX	7/25	PER APPVL		
TOTAL WEIGHT		NO DATE	DESCRIPTION	NO DATE	DESCRIPTION
DIAG. REF #		REVISIONS			

DRAWINGS PREPARED BY:
DIVISION FIVE DETAILING INC.
1770 Gallagher Drive
Vineland, New Jersey 08360
Phone: (856) 794-9474
Fax: (856) 696-2027

WEIR WELDING CO. INC.		LAW ENFORCEMENT SCHOOL		CONTRACT NO	
DRAFTER	YG				S-616
DATE	5/14/01				DWG NO
CHECKED	BCF				E49
DATE	1/9/02				



SECTION 1
@ LINE 11 E50



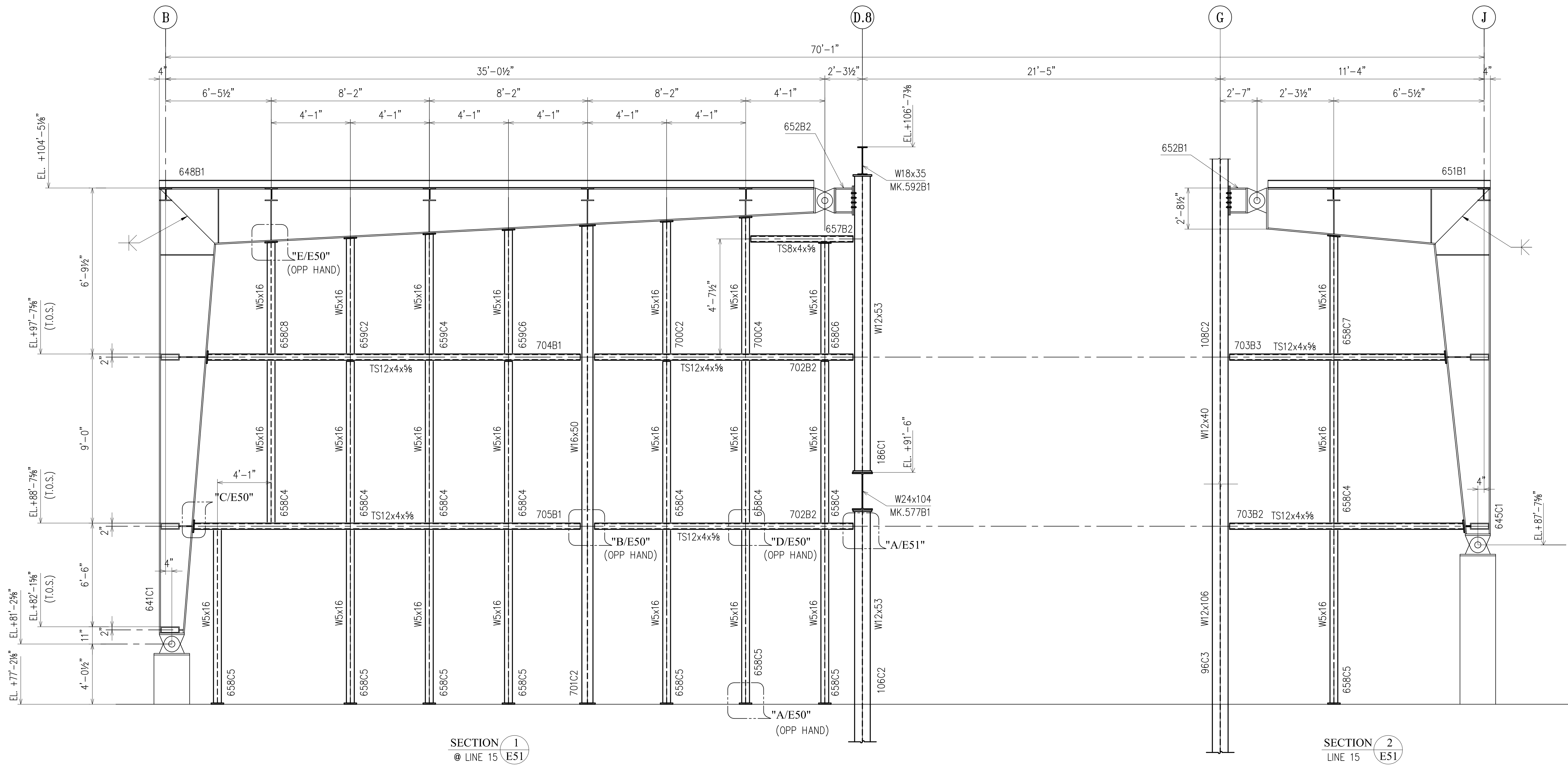
APPROVAL/REVIEW AUTHORITY:
PLEASE REVIEW THIS DRAWING CAREFULLY.
IT REPRESENTS OUR INTERPRETATION OF THE INTENT OF THE CONTRACT DOCUMENTS. HOWEVER, THE STEEL FABRICATOR AND THE STRUCTURAL STEEL DETAILER ASSUME NO RESPONSIBILITY FOR THE ACCURACY OF THE INFORMATION SHOWN ON THIS DRAWING. THIS IS THE RESPONSIBILITY OF THE BUYER.
IT WILL BE ASSUMED THAT ALL INFORMATION SHOWN HEREIN HAS THE AFFIRMATION OF THE APPROVAL AUTHORITY UNLESS NOTED TO THE CONTRARY ON THIS DRAWING WHEN IT IS RETURNED FROM APPROVAL.
SUBSEQUENT CHANGES TO INFORMATION SHOWN ON THESE DRAWINGS AFTER FIRST SUBMISSION WILL BE CONSIDERED AS CONTRACT CHANGES.
ADOPTED BY THE NATIONAL INSTITUTE OF STEEL DETAILING 1977.

DRAWINGS PREPARED BY:
DIVISION FIVE DETAILING INC.
1770 Gallagher Drive
Vineland, New Jersey 08360
Phone: (856) 794-9474
Fax: (856) 696-2027

		REVISIONS			
NO	DATE	DESCRIPTION	NO	DATE	DESCRIPTION
1/9		FOR FIELD			
12/26		PER CHECK			
7/30		ADD MARKINGS			
7/25		PER APPL			

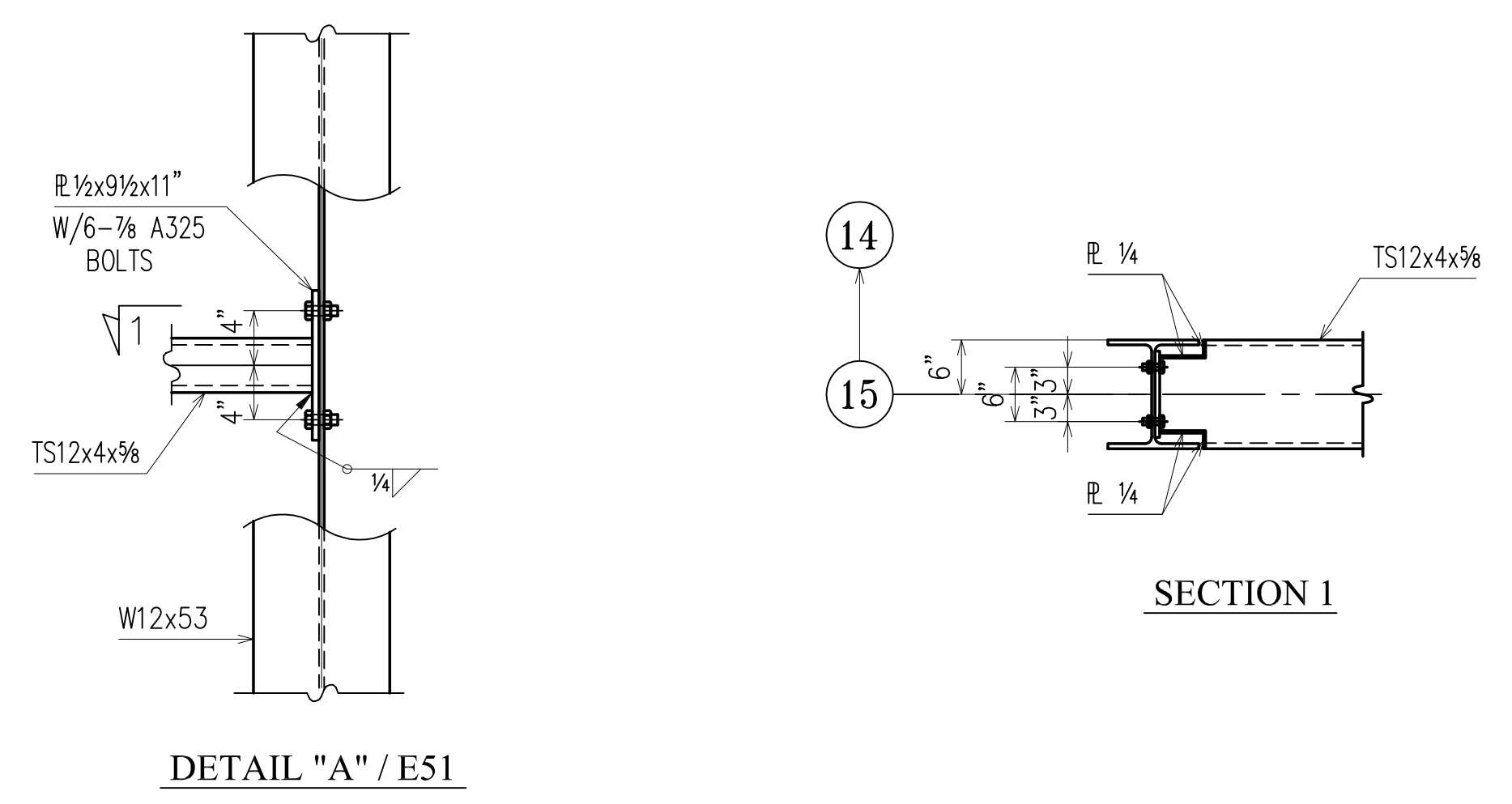
PAIN	GALV		
MATERIAL	GR.50 U/NOTED		
HOLES	15/16" U/NOTED		
ELECTRODES	E70XX		
TOTAL WEIGHT			
DIAG. REF #			

DRAWINGS PREPARED BY:		CONTRACT NO	
DIVISION FIVE DETAILING INC.		S-616	
1770 Gallagher Drive		DWG NO	
Vineland, New Jersey 08360		E50	
Phone: (856) 794-9474			
Fax: (856) 696-2027			



SECTION 1
@ LINE 15 E51

SECTION 2
LINE 15 E51



DETAIL "A" / E51

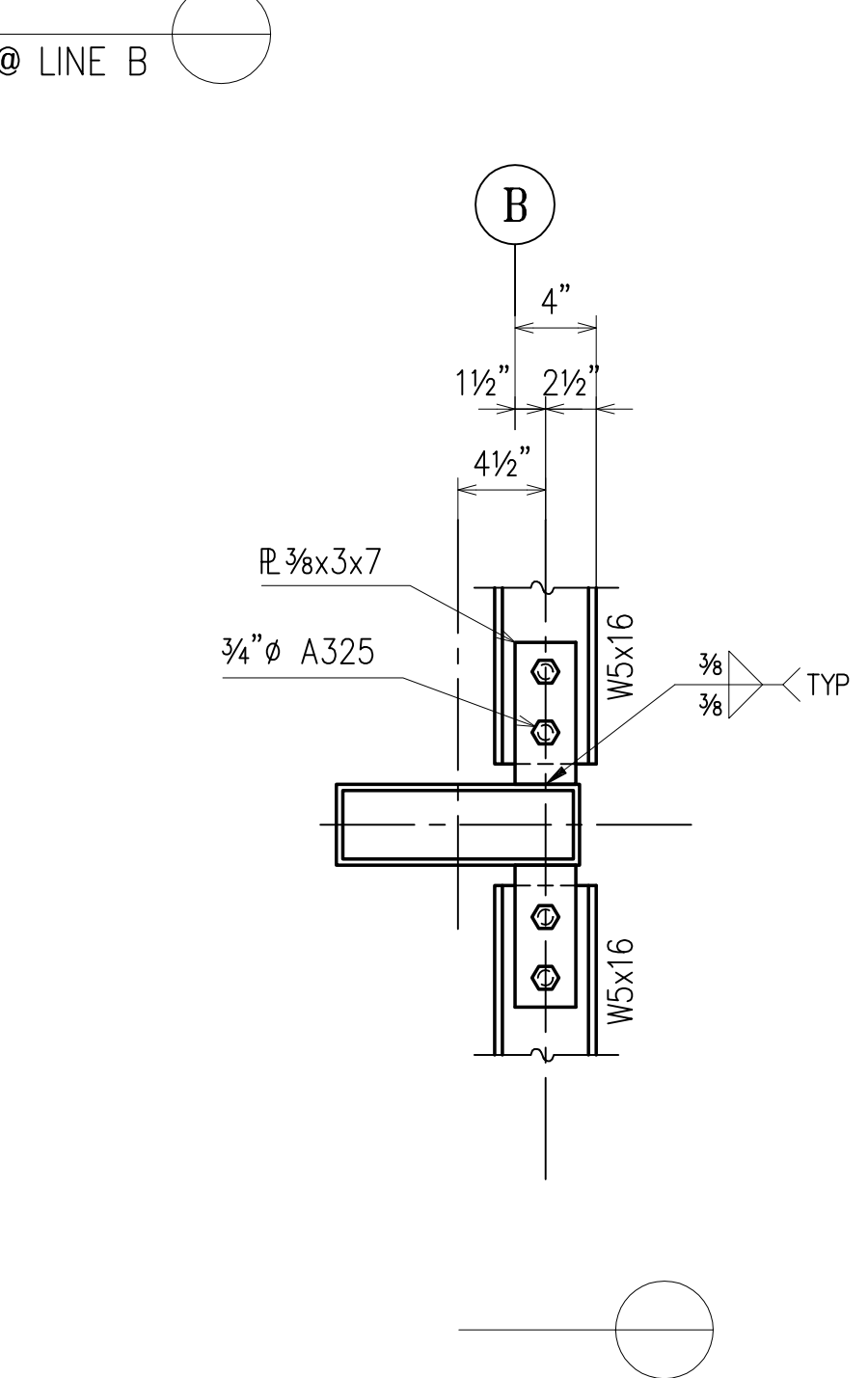
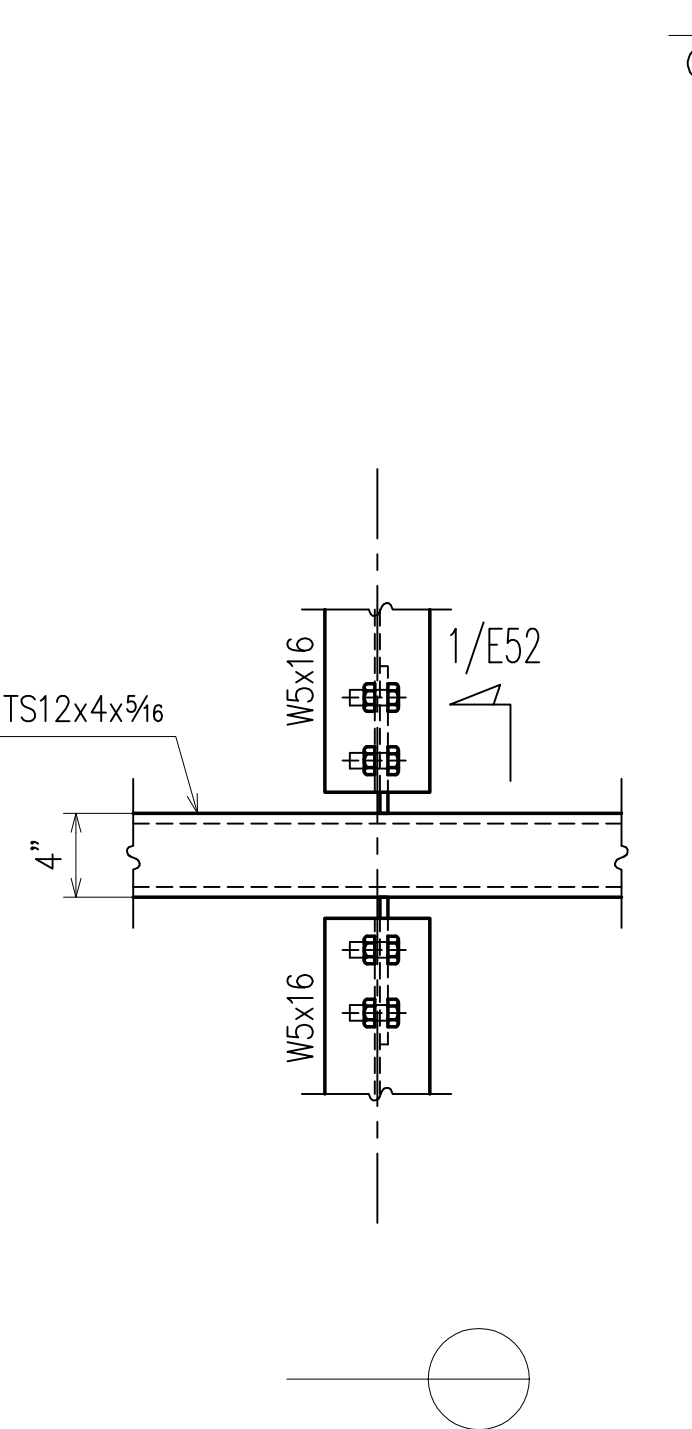
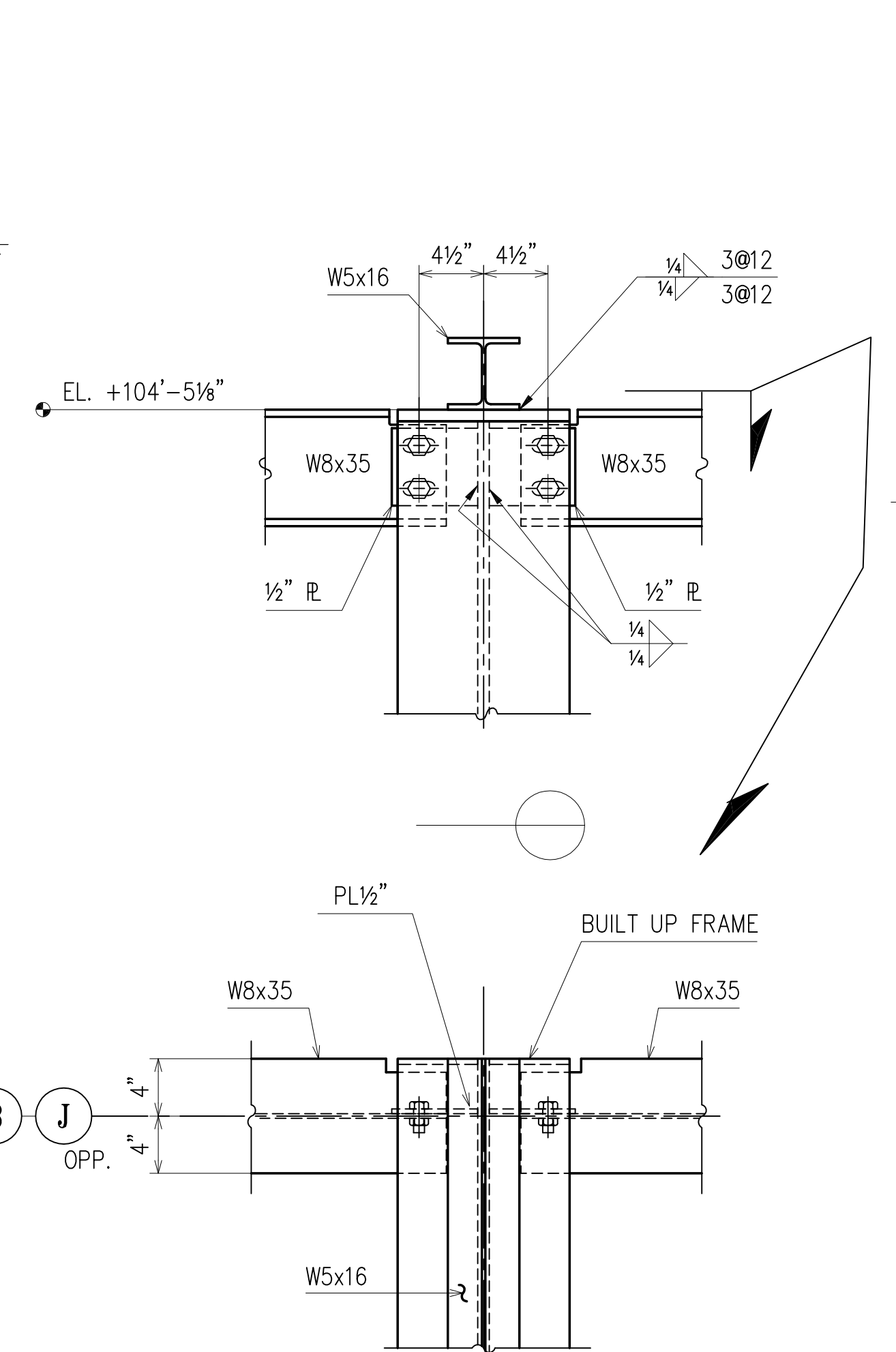
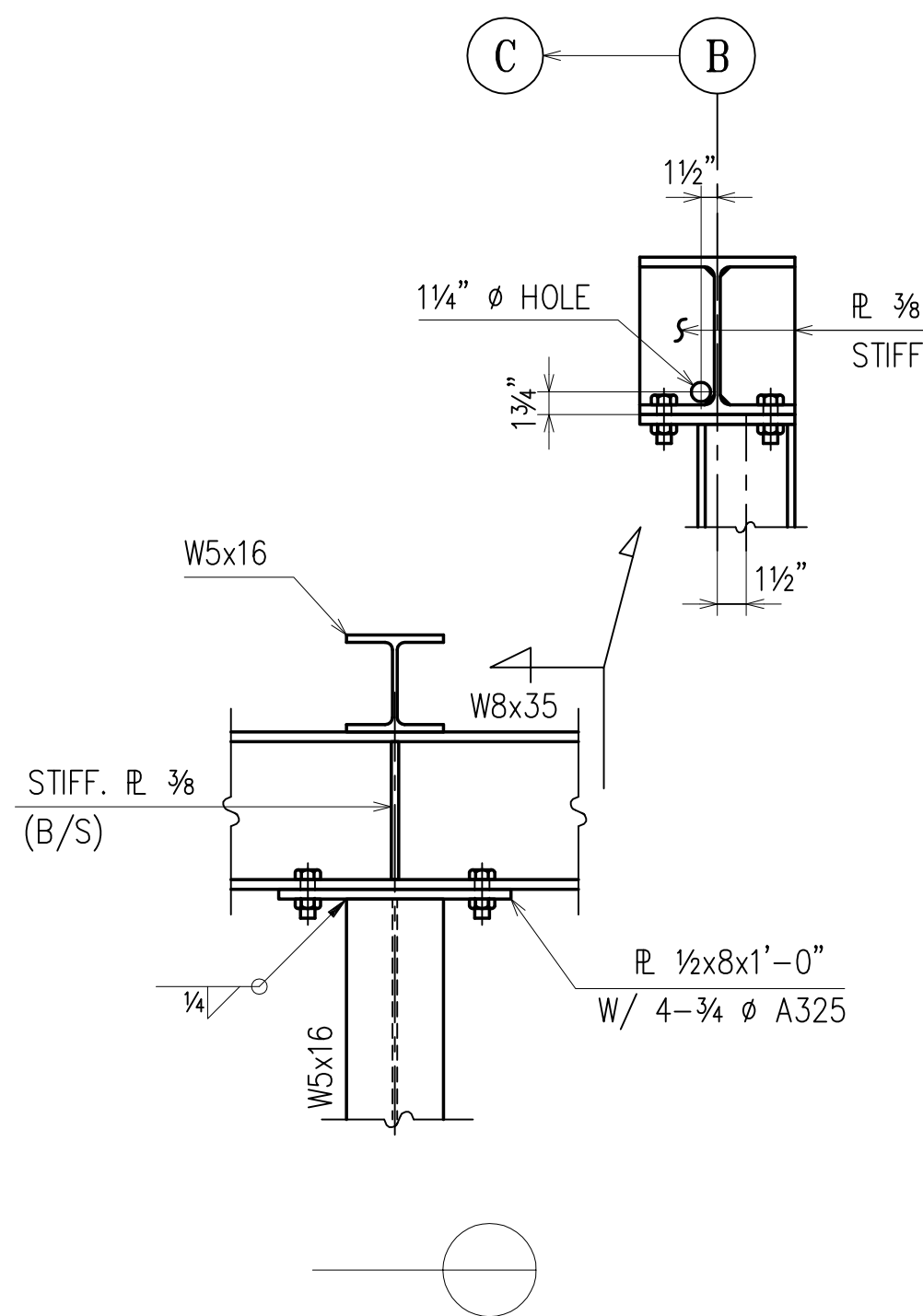
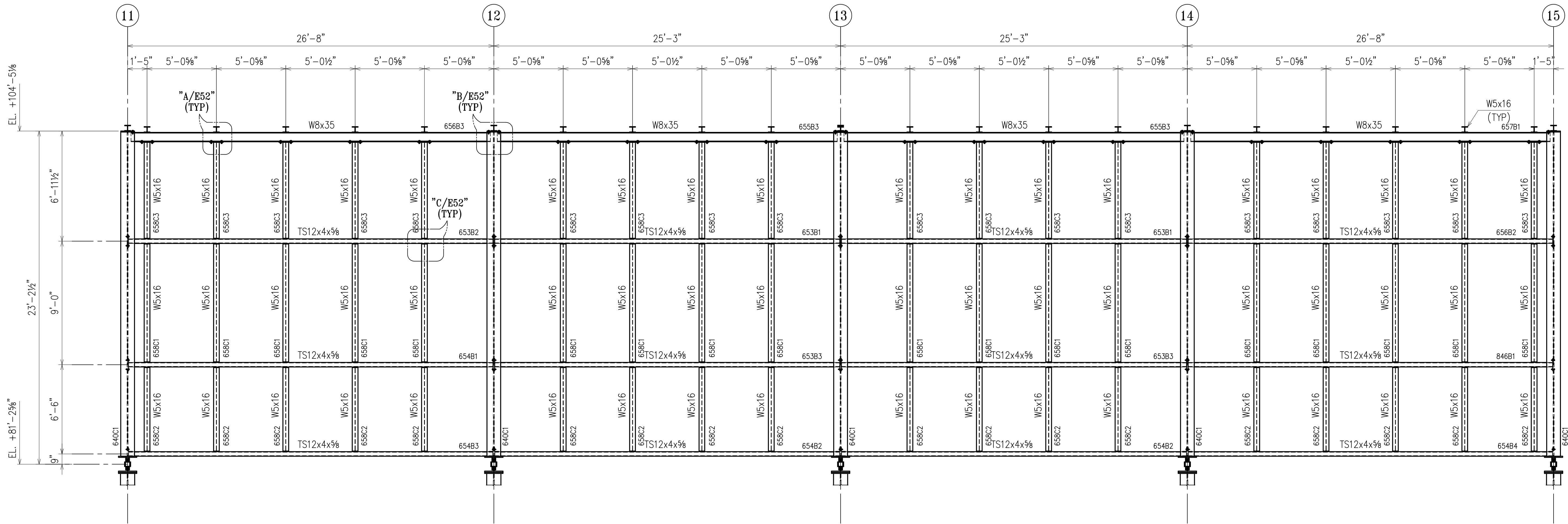
SECTION 1

APPROVAL/REVIEW AUTHORITY:
PLEASE REVIEW THIS DRAWING CAREFULLY.
IT REPRESENTS OUR INTERPRETATION OF THE INTENT OF THE CONTRACT DOCUMENTS. HOWEVER, THE STEEL FABRICATOR AND THE STRUCTURAL STEEL DETAILER ASSUME NO RESPONSIBILITY FOR THE ACCURACY OF THE INFORMATION SHOWN ON THIS DRAWING. THIS IS THE RESPONSIBILITY OF THE BUYER.
IT WILL BE ASSUMED THAT ALL INFORMATION SHOWN HEREIN HAS THE AFFIRMATION OF THE APPROVAL AUTHORITY UNLESS NOTED TO THE CONTRARY ON THIS DRAWING WHEN IT IS RETURNED FROM APPROVAL.
SUBSEQUENT CHANGES TO INFORMATION SHOWN ON THESE DRAWINGS AFTER FIRST SUBMISSION WILL BE CONSIDERED AS CONTRACT CHANGES.
ADOPTED BY THE NATIONAL INSTITUTE OF STEEL DETAILING 1977.

DIAG. REF #	NO	DATE	DESCRIPTION	NO	DATE	DESCRIPTION
	1/9		FOR FIELD			
	12/26		PER CHECK			
	7/30		ADD MARKINGS			
	7/25		PER APPVL			

DRAWINGS PREPARED BY:
DIVISION FIVE DETAILING INC.
1770 Gallagher Drive
Vineland, New Jersey 08360
Phone: (856) 794-9474
Fax: (856) 696-2027

WEIR WELDING CO. INC.		CONTRACT NO	S-616
LAW ENFORCEMENT SCHOOL		DWG NO	E51
DRAFTER	Yus		
DATE	5/12/01		
CHECKED	BCF		
DATE	1/9/02		



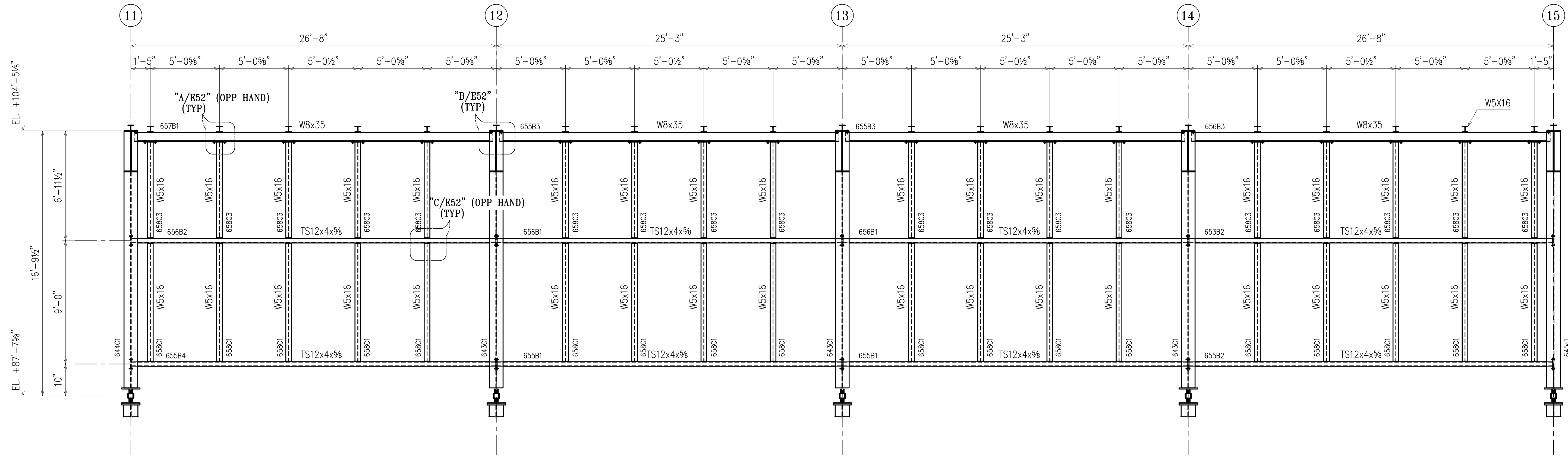
@ LINE B

APPROVAL/REVIEW AUTHORITY:
PLEASE REVIEW THIS DRAWING CAREFULLY.
IT REPRESENTS OUR INTERPRETATION OF THE INTENT OF THE CONTRACT DOCUMENTS. HOWEVER, THE STEEL FABRICATOR AND THE STRUCTURAL STEEL DETAILER ASSUME NO RESPONSIBILITY FOR THE ACCURACY OF THE INFORMATION SHOWN ON THIS DRAWING. THIS IS THE RESPONSIBILITY OF THE BUYER.
IT WILL BE ASSUMED THAT ALL INFORMATION SHOWN HEREIN HAS THE AFFIRMATION OF THE APPROVAL AUTHORITY UNLESS NOTED TO THE CONTRARY ON THIS DRAWING WHEN IT IS RETURNED FROM APPROVAL.
SUBSEQUENT CHANGES TO INFORMATION SHOWN ON THESE DRAWINGS AFTER FIRST SUBMISSION WILL BE CONSIDERED AS CONTRACT CHANGES.
ADOPTED BY THE NATIONAL INSTITUTE OF STEEL DETAILING 1977.

DIAG. REF #	NO	DATE	DESCRIPTION	NO	DATE	DESCRIPTION
	12/26		PER CHECK			
	11/27		REV'D MARKINGS			
	7/30		ADD MARKINGS			
	7/25		PER APPL	1/9		FOR FIELD

DRAWINGS PREPARED BY:
DIVISION FIVE DETAILING INC.
1770 Gallagher Drive
Vineland, New Jersey 08360
Phone: (856) 794-9474
Fax: (856) 696-2027

WEIR WELDING CO. INC.		CONTRACT NO	S-616
LAW ENFORCEMENT SCHOOL		DWG NO	E52
DRAFTER	YG		
DATE	5/14/01		
CHECKED	BCF		
DATE	1/9/02		



APPROVAL/REVIEW AUTHORITY:
PLEASE REVIEW THIS DRAWING CAREFULLY.
IT REPRESENTS OUR INTERPRETATION OF THE INTENT OF
THE CONTRACT DOCUMENTS. HOWEVER, THE STEEL
FABRICATOR AND THE STRUCTURAL STEEL DETAILER
ASSUME NO RESPONSIBILITY FOR THE ACCURACY OF THE
INFORMATION SHOWN ON THIS DRAWING. THIS IS THE
RESPONSIBILITY OF THE BUYER.

IT WILL BE ASSUMED THAT ALL INFORMATION SHOWN
HEREIN HAS THE AFFIRMATION OF THE APPROVAL
AUTHORITY UNLESS NOTED TO THE CONTRARY ON THIS
DRAWING WHEN IT IS RETURNED FROM APPROVAL.

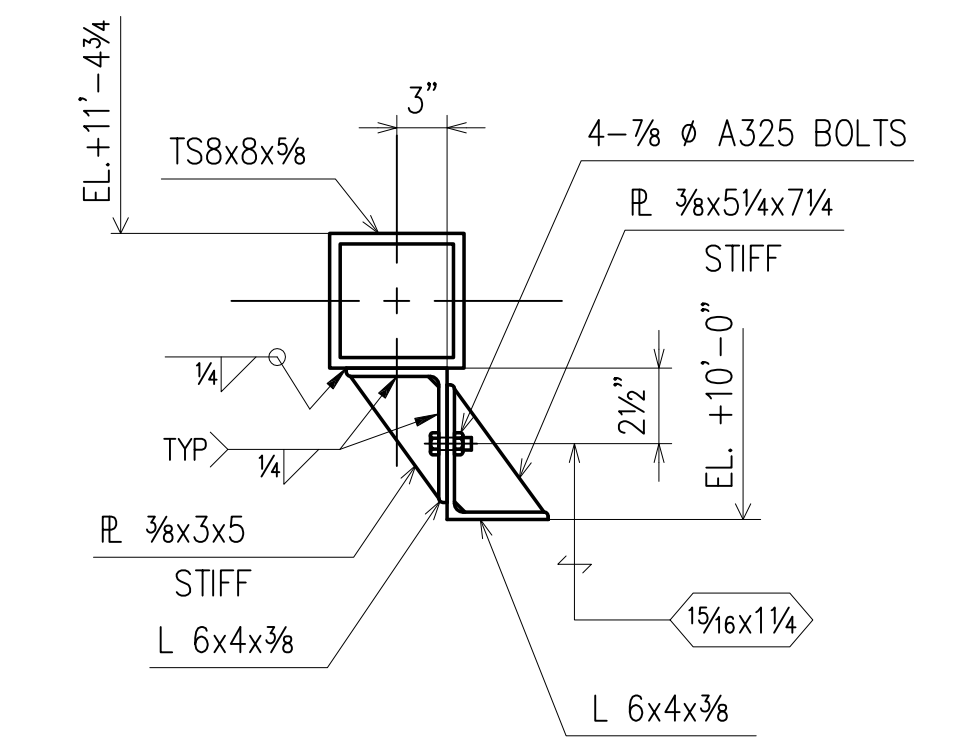
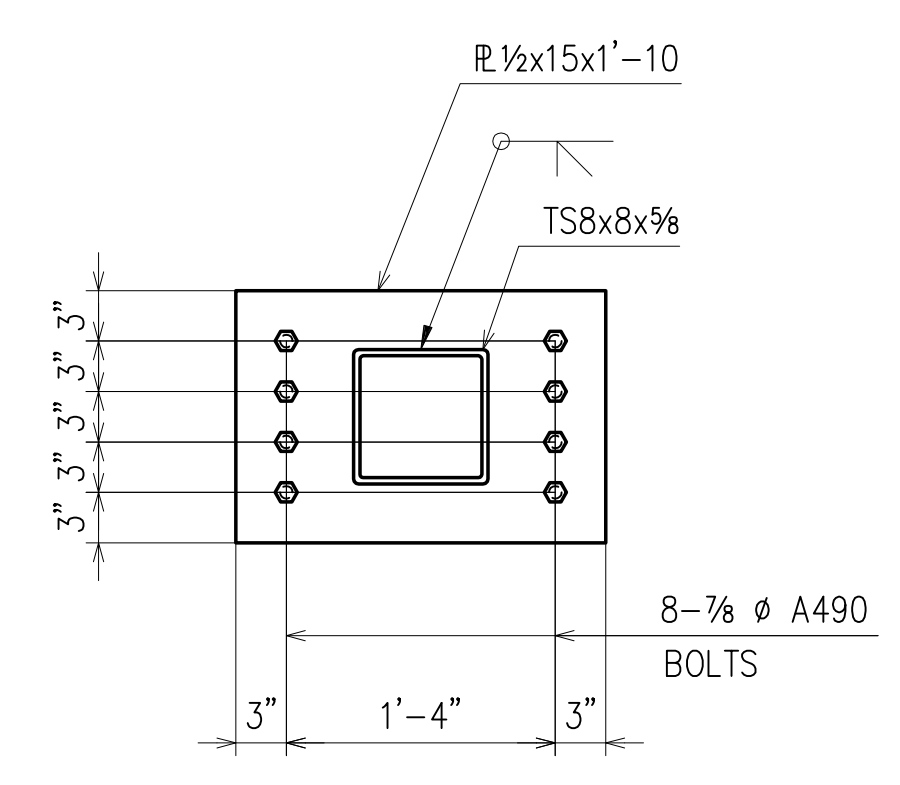
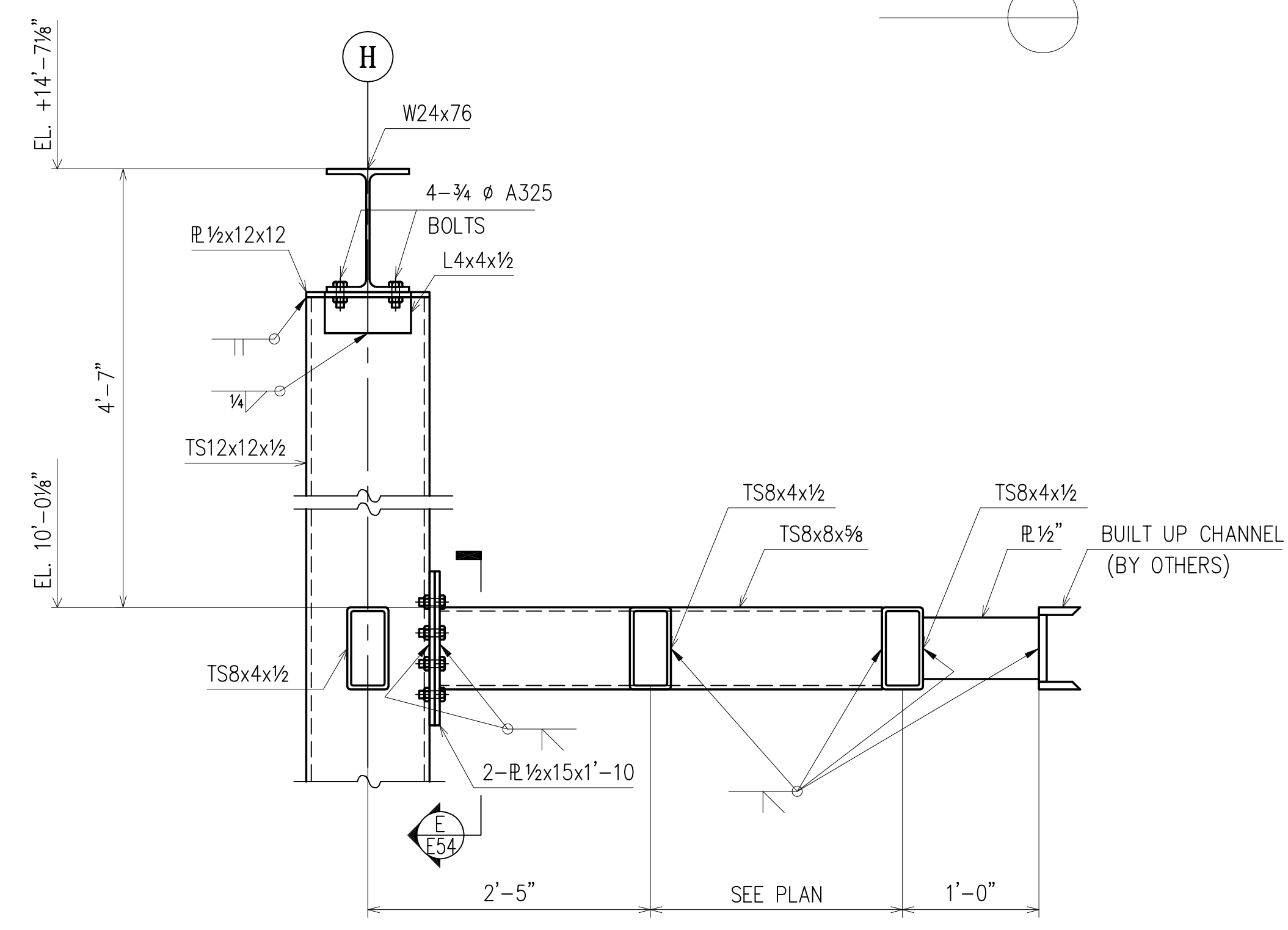
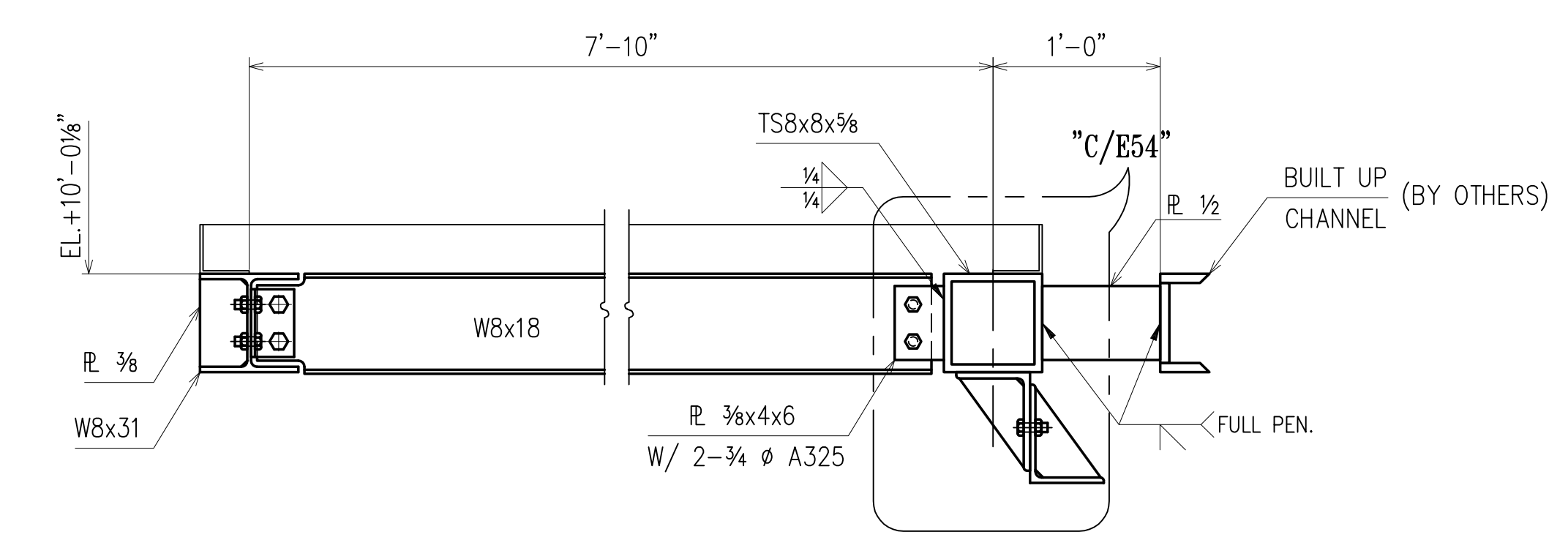
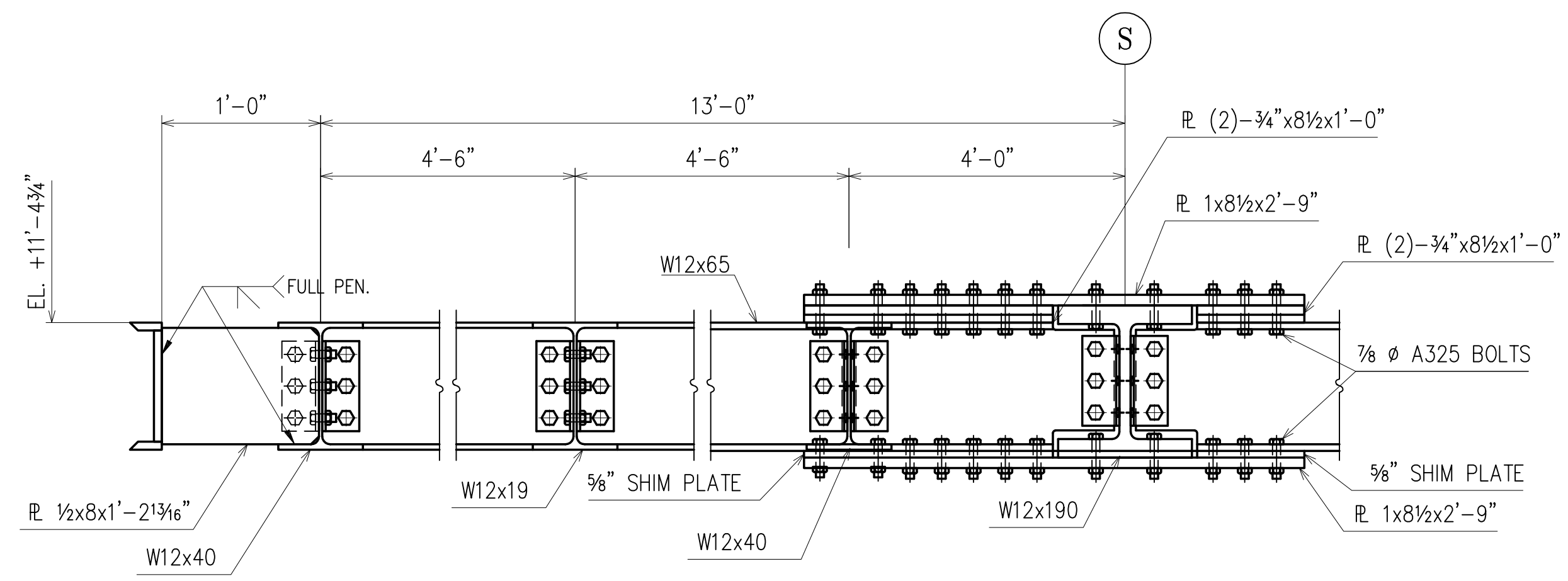
SUBSEQUENT CHANGES TO INFORMATION SHOWN ON
THESE DRAWINGS AFTER FIRST SUBMISSION WILL BE
CONSIDERED AS CONTRACT CHANGES.

ADOPTED BY THE NATIONAL INSTITUTE OF STEEL DETAILING 1977.

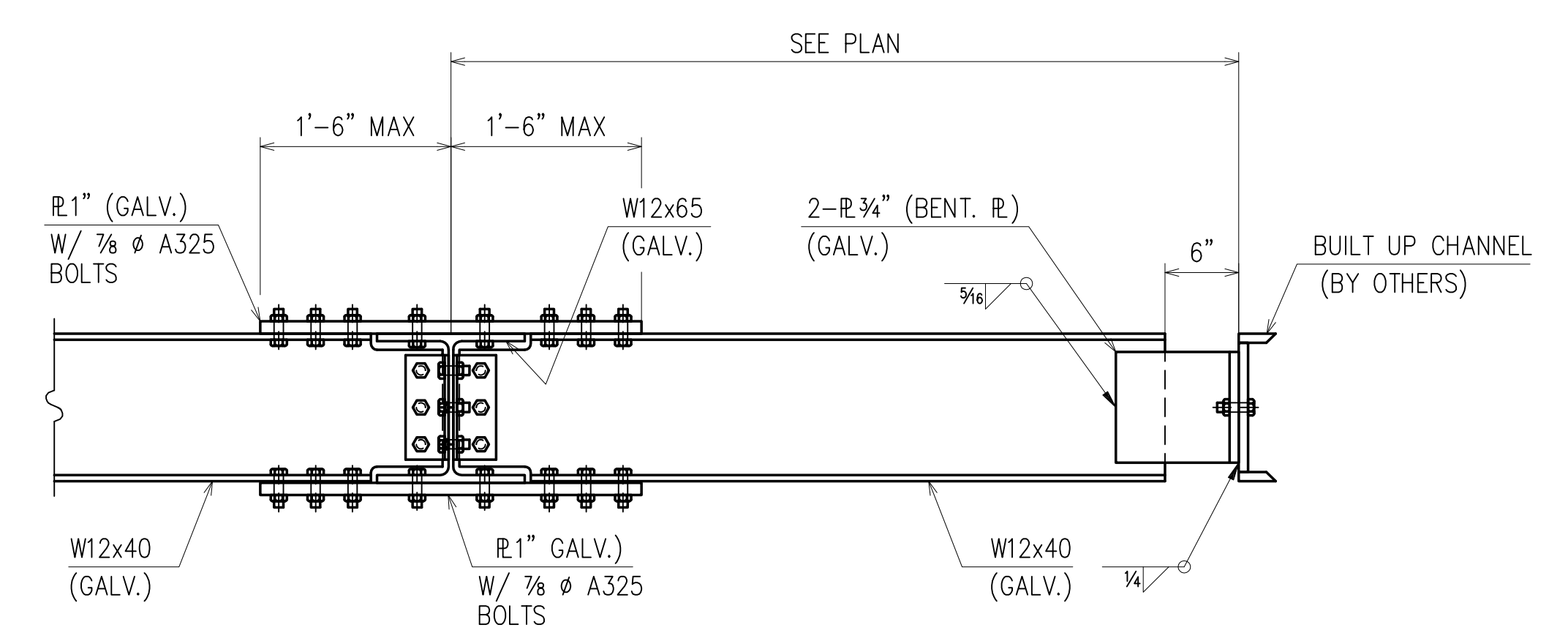
PAIN	GALV	12/26	REV'D MARKINGS		
MATERIAL	GR.50 U/NOTED	11/27	REV'D MARKINGS		
HOLES	15/16" U/NOTED	7/30	ADD MARKINGS		
ELECTRODES	E70XX	7/25	PER APP'VL	1/9	FOR FIELD
TOTAL WEIGHT		NO DATE	DESCRIPTION	NO DATE	DESCRIPTION
DIAG. REF #		REVISIONS			

DRAWINGS PREPARED BY:
DIVISION FIVE DETAILING INC.
1770 Gallagher Drive
Vineland, New Jersey 08360
Phone: (856) 794-9474
Fax: (856) 696-2027

WEIR WELDING CO. INC.		CONTRACT NO	S-616
DRAFTER YG	LAW ENFORCEMENT SCHOOL	DWG NO	E53
DATE 5/15/01			
CHECKED BCF			
DATE 1/9/02			



NOTE : ALL CANOPY STEEL TO BE GALVANIZED

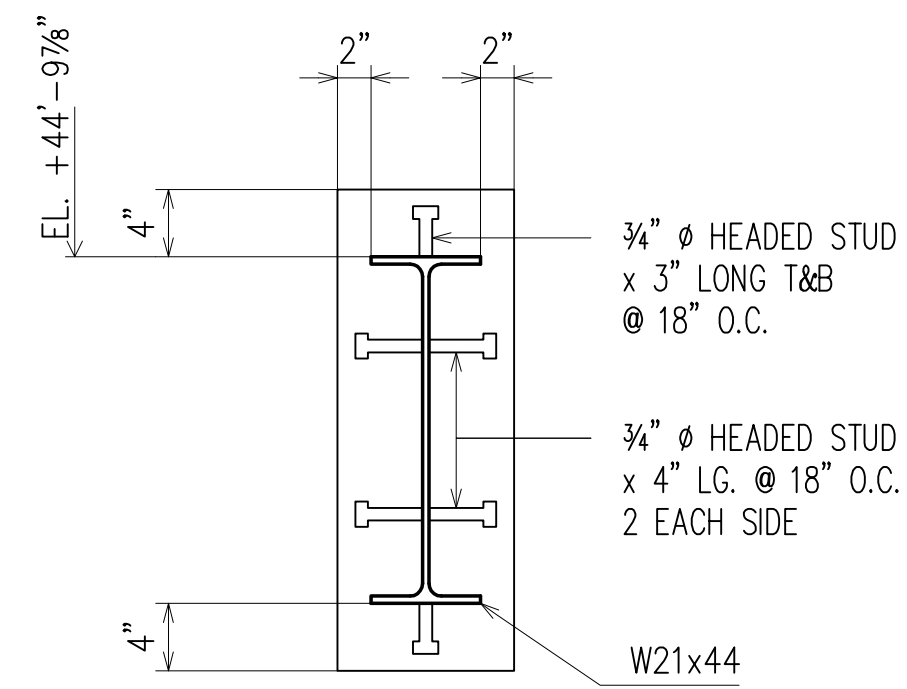


APPROVAL/REVIEW AUTHORITY:
PLEASE REVIEW THIS DRAWING CAREFULLY. IT REPRESENTS OUR INTERPRETATION OF THE INTENT OF THE CONTRACT DOCUMENTS. HOWEVER, THE STEEL FABRICATOR AND THE STRUCTURAL STEEL DETAILER ASSUME NO RESPONSIBILITY FOR THE ACCURACY OF THE INFORMATION SHOWN ON THIS DRAWING. THIS IS THE RESPONSIBILITY OF THE BUYER.
IT WILL BE ASSUMED THAT ALL INFORMATION SHOWN HEREIN HAS THE AFFIRMATION OF THE APPROVAL AUTHORITY UNLESS NOTED TO THE CONTRARY ON THIS DRAWING WHEN IT IS RETURNED FROM APPROVAL.
SUBSEQUENT CHANGES TO INFORMATION SHOWN ON THESE DRAWINGS AFTER FIRST SUBMISSION WILL BE CONSIDERED AS CONTRACT CHANGES.
ADOPTED BY THE NATIONAL INSTITUTE OF STEEL DETAILING 1977.

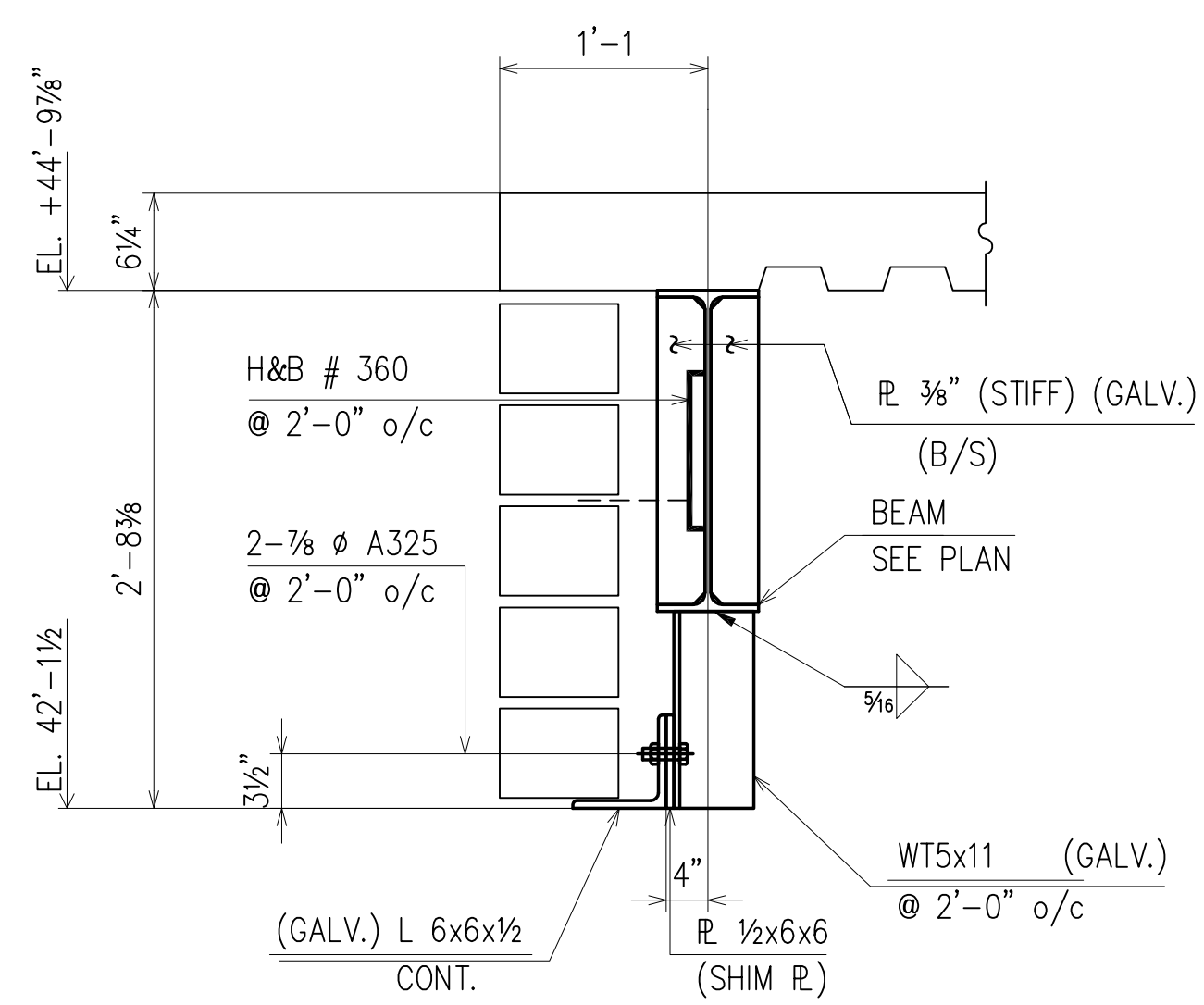
DRAWINGS PREPARED BY:
DIVISION FIVE DETAILING INC.
1770 Gallagher Driver
Vineland, New Jersey 08360
Phone: (856) 794-9474
Fax: (856) 696-2027

PAIN	ONE SHOP COAT U/NOTED				
MATERIAL	GR.50 U/NOTED				
HOLES	13/16" U/NOTED				
ELECTRODES	E70XX	10/26	FOR FIELD		
TOTAL WEIGHT		NO DATE	DESCRIPTION	NO DATE	DESCRIPTION
DIAG. REF #		REVISIONS			

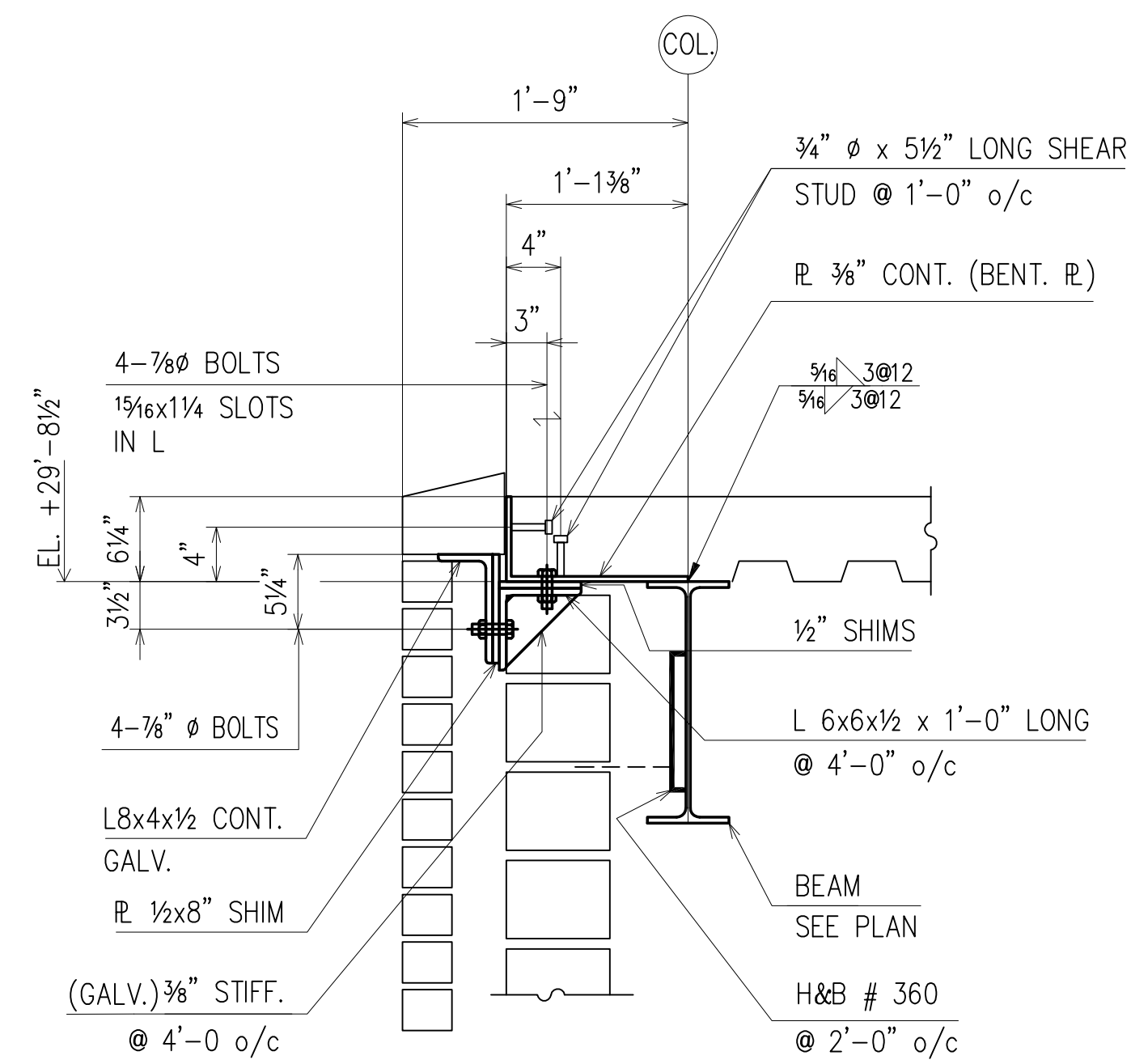
WEIR WELDING CO. INC.		CONTRACT NO	S-616
DRAFTER	YG	LAW ENFORCEMENT SCHOOL	DWG NO
DATE	5/15/01		E54
CHECKED			
DATE			



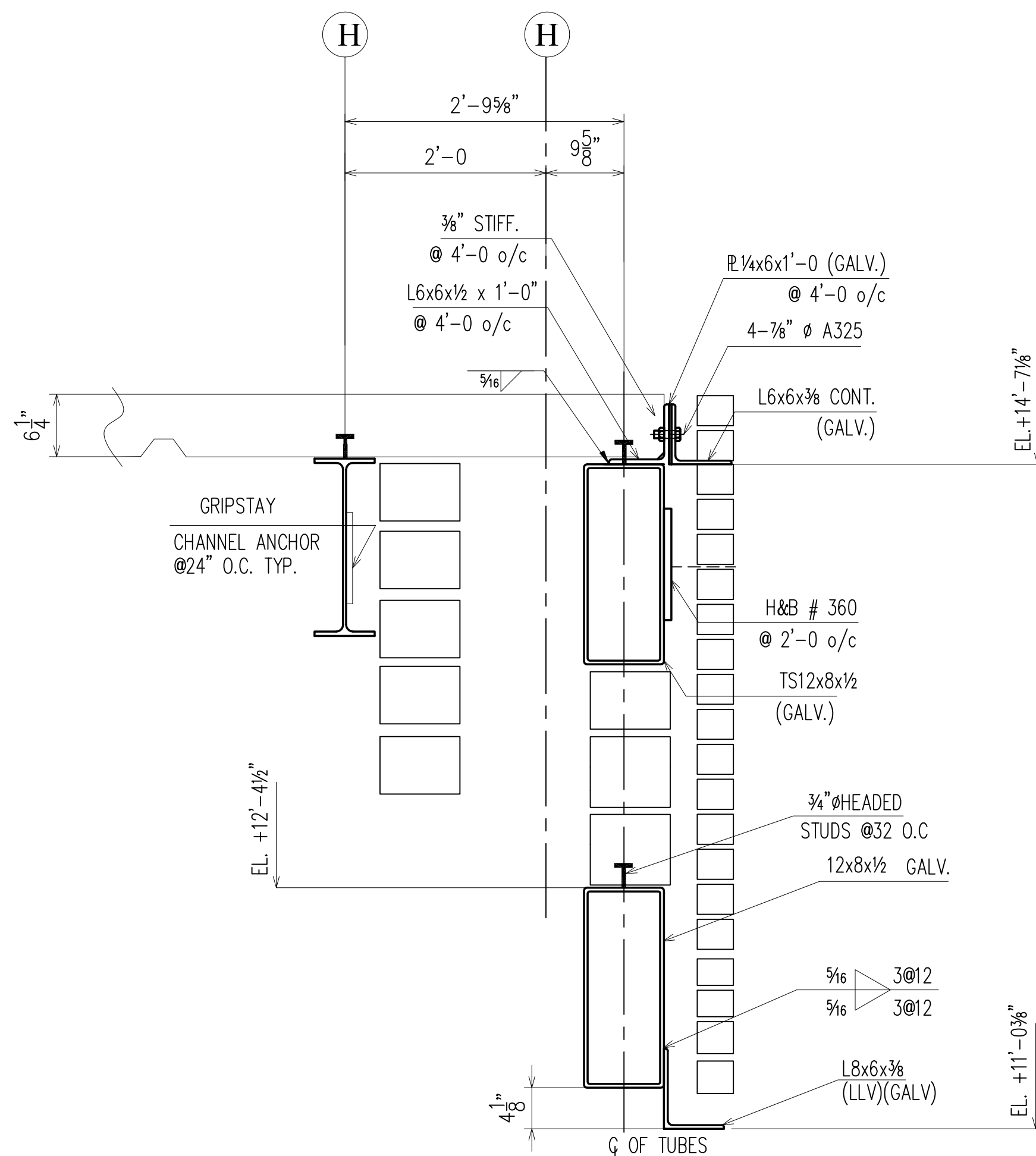
SECTION A
E55



SECTION B
E55



SECTION C
E55



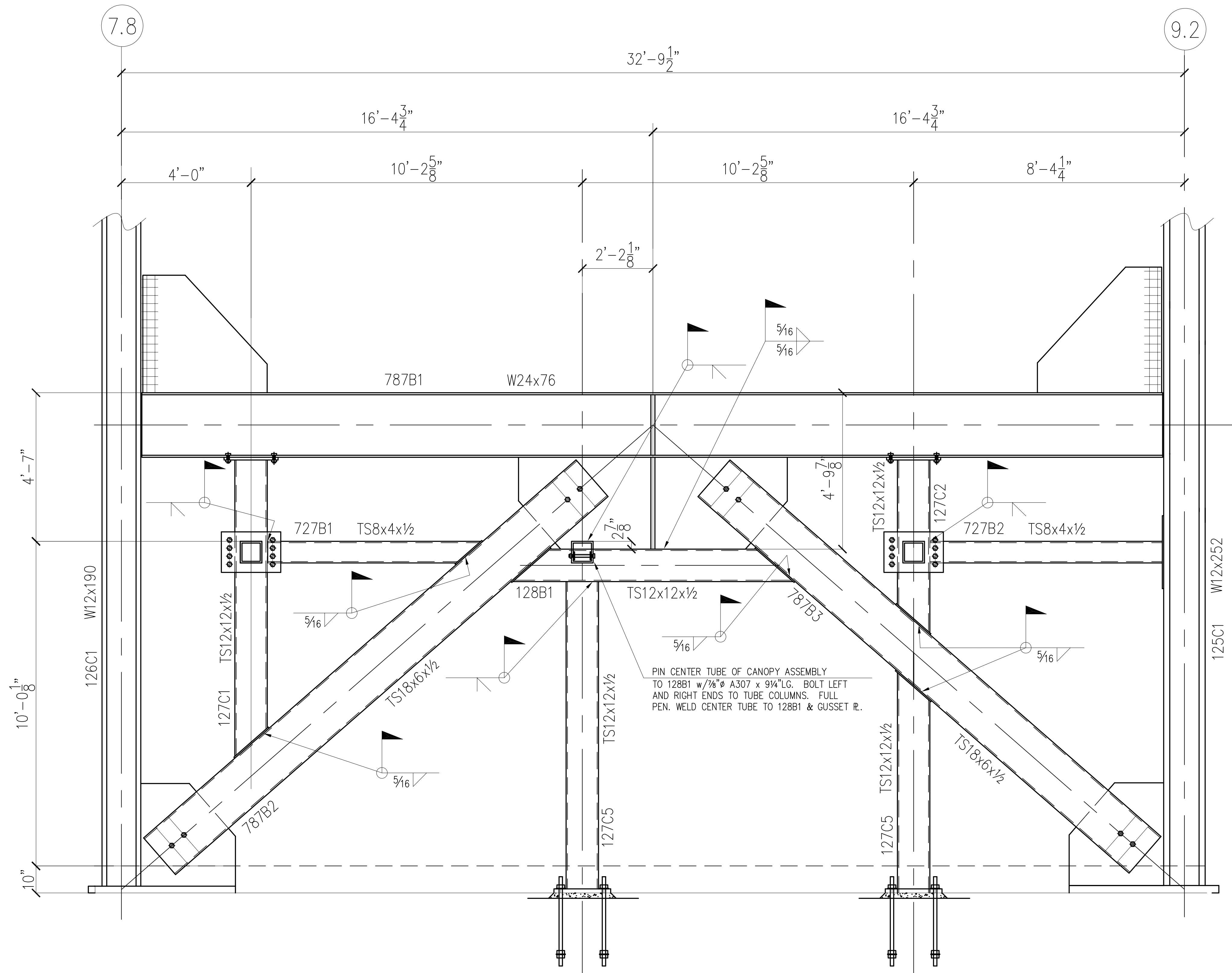
SECTION D
E55

APPROVAL/REVIEW AUTHORITY:
PLEASE REVIEW THIS DRAWING CAREFULLY.
IT REPRESENTS OUR INTERPRETATION OF THE INTENT OF THE CONTRACT DOCUMENTS. HOWEVER, THE STEEL FABRICATOR AND THE STRUCTURAL STEEL DETAILER ASSUME NO RESPONSIBILITY FOR THE ACCURACY OF THE INFORMATION SHOWN ON THIS DRAWING. THIS IS THE RESPONSIBILITY OF THE BUYER.
IT WILL BE ASSUMED THAT ALL INFORMATION SHOWN HEREIN HAS THE AFFIRMATION OF THE APPROVAL AUTHORITY UNLESS NOTED TO THE CONTRARY ON THIS DRAWING WHEN IT IS RETURNED FROM APPROVAL.
SUBSEQUENT CHANGES TO INFORMATION SHOWN ON THESE DRAWINGS AFTER FIRST SUBMISSION WILL BE CONSIDERED AS CONTRACT CHANGES.
ADOPTED BY THE NATIONAL INSTITUTE OF STEEL DETAILING 1977.

DRAWINGS PREPARED BY:
DIVISION FIVE DETAILING INC.
1770 Gallagher Drive
Vineland, New Jersey 08360
Phone: (856) 794-9474
Fax: (856) 696-2027

PAIN	ONE SHOP COAT U/NOTED				
MATERIAL	GR.50 U/NOTED				
HOLES	13/16" U/NOTED	1/9	FOR FIELD		
ELECTRODES	E70XX	8/17	PER CHECK		
TOTAL WEIGHT		NO DATE	DESCRIPTION	NO DATE	DESCRIPTION
DIAG. REF #		REVISIONS			

WEIR WELDING CO. INC.		CONTRACT NO.	S-616
DRAFTER	TN	LAW ENFORCEMENT SCHOOL	
DATE	7/23/01		
CHECKED	DS		
DATE	1/9/02		
		DWG NO.	E55



PIN CENTER TUBE OF CANOPY ASSEMBLY
 TO 128B1 w/7/8" Ø A307 x 9 1/4" LG. BOLT LEFT
 AND RIGHT ENDS TO TUBE COLUMNS. FULL
 PEN. WELD CENTER TUBE TO 128B1 & GUSSET P.

APPROVAL/REVIEW AUTHORITY:
 PLEASE REVIEW THIS DRAWING CAREFULLY.
 IT REPRESENTS OUR INTERPRETATION OF THE INTENT OF
 THE CONTRACT DOCUMENTS. HOWEVER, THE STEEL
 FABRICATOR AND THE STRUCTURAL STEEL DETAILER
 ASSUME NO RESPONSIBILITY FOR THE ACCURACY OF THE
 INFORMATION SHOWN ON THIS DRAWING. THIS IS THE
 RESPONSIBILITY OF THE BUYER.
 IT WILL BE ASSUMED THAT ALL INFORMATION SHOWN
 HEREIN HAS THE AFFIRMATION OF THE APPROVAL
 AUTHORITY UNLESS NOTED TO THE CONTRARY ON THIS
 DRAWING WHEN IT IS RETURNED FROM APPROVAL.
 SUBSEQUENT CHANGES TO INFORMATION SHOWN ON
 THESE DRAWINGS AFTER FIRST SUBMISSION WILL BE
 CONSIDERED AS CONTRACT CHANGES.
 ADOPTED BY THE NATIONAL INSTITUTE OF STEEL DETAILING 1977.

(@ COL. LINE H)

DRAWINGS PREPARED BY:
 DIVISION FIVE DETAILING INC.
 1770 Gallagher Drive
 Vineland, New Jersey 08360
 Phone: (856) 794-9474
 Fax: (856) 696-2027

PAINT	NONE				
MATERIAL	A36 U/NOTED				
HOLES	15/16" U/NOTED				
ELECTRODES	E70XX				
TOTAL WEIGHT		NO DATE	DESCRIPTION	NO DATE	DESCRIPTION
DIAG. REF #		REVISIONS			

WEIR WELDING CO. INC.			
DRAFTER	TN	LAW ENFORCEMENT SCHOOL	CONTRACT NO S-616
DATE	1/22/02		DWG NO E56
CHECKED	D5		
DATE	2/4/02		

